



**Moss
Motors**
COOL STUFF FOR COOL CARS

JAGUAR

**XK120, 140, 150, E-Type, XJ6, 12, S
PARTS & ACCESSORIES**



SECURE ONLINE ORDERING!

www.mossmotors.com

CALL TOLL FREE:

800-667-7872

Jaguar

XK120-150

Sun-Fast Cloth Tops

	Color	Part No.	
For Use With OE Zip Out Window			
XK120-140 Roadster	Black	011-462	\$714.95
	Tan	011-463	714.95
XK120 DHC	Black	011-467	584.95
	Tan	011-468	584.95
With Plastic Rear Window			
XK120-140 Roadster	Black	011-385	656.95
	Tan	011-387	656.95
XK150 DHC	Black	011-415	629.95
	Tan	011-417	629.95
With Zip Out Rear Window			
XK120 DHC Replacement, XK140 Original	Black	011-395	609.95
	Tan	011-397	609.95
XK150 Roadster	Black	011-405	629.95
	Tan	011-407	629.95



Sun-Fast Tonneau Covers

	Color	Part No.	
XK120 Roadster	Black	011-355	\$619.95
	Tan	011-356	619.95
XK140 Roadster	Black	011-365	619.95
	Tan	011-366	619.95
XK150 Roadster	Black	011-375	632.95
	Tan	011-376	632.95

E-Type

Vinyl Tops

	Color	Part No.	
Fixed Rear Window			
1961-71 E-Type	Black	011-470	\$269.95
1971-74 V12 E-Type	Black	011-480	299.95
Zip Out Rear Window			
1961-71 E-Type	Black	011-475	329.95

Sunfast Tops

	Color	Part No.	
Fixed Rear Window			
1961-71 E-Type	Black	011-471	\$534.95
	Tan	011-472	534.95
1971-74 V12 E-Type	Black	011-481	566.95
	Tan	011-482	566.95
Zip Out Rear Window			
1961-71 E-Type	Black	011-476	534.95
	Tan	011-477	534.95
1971-74 V12 E-Type	Black	011-486	566.95
	Tan	011-487	566.95



FREE
SHIPPING
on orders over
\$600

SAME
DAY
SHIPPING*
order by 3 p.m.

ORDER ONLINE or CALL: **1-800-667-7872**
www.mossmotors.com

MOSS



Tired of all that hunting around for the best prices, only to end up shorted in service or quality? Wouldn't it be grand to get the best prices, service and quality everyday?

For the serious Classic British Car Enthusiast and Restorer, we introduce the Moss Customer Loyalty Program.

An order for \$1,500 or more of Classic British Parts enrolls you in the program. You will receive a 12% discount on the initial order and on Classic British parts for 24 months.* Plus you will receive special e-mail sales and close out announcements all specially tailored for you.

We value your experience and commitment to Classic British Cars and will give any technical assistance you need a high priority. In addition, an assigned sales representative will ensure you get personal service.

Getting enrolled is easy. Just place an order for Classic British parts of more than \$1,500 (at regular retail price). Let your sales person know that you wish to enroll, or you can add a comment to your web order.

From that point you will receive a 12% discount or promotional price (whichever is lower) for 24 months on all Classic British Car parts.*

*Discount only applies to retail Classic British parts at regular list price and does not apply to promotional items, superchargers, E.F.I. kits, 5-speed conversions or body tubs. During promotions you will receive the lower of the Customer Loyalty Program discount or the promotional price. Qualifying order amount is based on order total before any discounts are applied. This offer is limited to Moss Motors Classic British parts and is not applicable to some general items or BMW Mini products.

Warranty Extended to 24 Months!



All Classic British products including superchargers, supercharger components and hardware are warranted to be free from defects in material and workmanship for 24 months from date of invoice. Moss Motors, Ltd. will, at its discretion, repair or replace any part that fails in service within the warranty period. This warranty does not cover labor, failure of related components, normal wear of brake or clutch components or failure resulting from alteration, misuse, accidental damage, faulty installation or faulty repair. Warranty requests should be submitted to our sales department and must be supported by the original Moss Motors, Ltd. invoice and documentation of the failure.

JAGC-0608

See website for latest up to date information and details.

We Carry All of Your Favorite Brands!

COBALT
PRECISION AUTOMOTIVE

CLASSIC GOLD
AUTHENTIC REPRODUCTION

TOURIST TROPHY

WEATHER LOCK

EP Lockheed

Mallory
IGNITION

CROSLAND
FILTERS

RED LINE
SYNTHETIC OIL

Payen

LUCAS

EBC
BRAKES

CRANE
Cams

MAGNECOR

HAWK
PERFORMANCE

WEBER
CARBURATORS

PERIRONIX

Falcon

K&N



Moto-Lite

SPAX

AUTO GLYM

ARP
automotive racing products

RENOVO

CONNOLLY

ROBBINS
AUTO TOP COMPANY, INC.



WAXOYL



NOVUS

rain-X

Working on automobiles is inherently dangerous. Moss Motors, Ltd. is not liable for injury or damage due to incorrect installation or use of their products. All products are sold with the understanding that the safe and proper installation and use of the products is the customer's responsibility. Follow factory workshop manual procedures and instructions, but use current shop safety standards and common sense. Some tasks will require professional advice or services which Moss Motors cannot provide.



Hi Everybody,

Thank you for shopping with Moss. We're a company run by, and for, automotive enthusiasts. We hope you like our unique "one catalog per car" publishing style. Nothing is more frustrating than finding a great product, only to learn in the fine print, it's in the catalog, but they don't make it for your specific brand or model of car. This catalog is intended for your Jaguar, first and foremost.

In recent years, there has been a great deal of consolidation in our industry. Some well established names have disappeared, or been absorbed into large conglomerates, losing their identities along the way. Moss Motors is all about continuity. We take great pride in the long term commitment of our staff. Among senior management, over half started in the Moss warehouse, or in sales. We were drawn to Moss as car enthusiasts wanting a job in the industry, and have stayed on and worked to share our love of unique transportation.

We try, before you buy. The Moss R&D shop spends considerable time test fitting products. In many instances, we'll go back and ask the vendor for improvements to the product, or add our own fitment instructions. Over time, we've developed a good feel for which vendors make quality products, and which ones do not. It's hard to be perfect 100 percent of the time, but that's the target.

The products we offer here and on the web, we hope, will help you achieve your desired level of personalization and function. After all, if we all wanted black cars, we'd still be driving Model T's. I don't know about you, but I'll bet your perfect ride looks different from mine. We hope these products help you get the job done.

Happy Motoring,
Robert Goldman
Vice President
Moss Motors, Ltd.

We Deliver...

Restoration and maintenance of classic British cars can be a challenge. Moss Motors is there beside you all the way because at Moss Motors we know the cars and we know the products.

To keep quality parts flowing, we rely on the following:

- Factory drawings where available
- SolidWorks engineering drawings of new, old stock parts
- Access to new and used original samples
- In house manufacturing and prototyping
- Original design and engineering specifications
- Installation and road testing
- Customer feedback
- Problem resolution and product updates
- Constant communication with suppliers and manufacturers



Often when a manufacturer supercedes a product, we have to go back and get earlier samples to ensure that our customers are aware of the difference. Here is a shot of a new Jaguar EFI fuel pump.



And here is a shot of a used original example. Note the differences in size.



Many parts supplied to us continue to change specification even though they have been on the market for many years. This photo was taken to identify the new non-polarised SU fuel pumps that are now on the market.



Our photo archives come in handy if the manufacturer changes any specifications. This shot of the E-Type A1113 alternator gives a good view of what the terminals are supposed to look like.

A04 | New Products!

THE LATEST FROM MOSS MOTORS



Jaguar CD-ROM Titles

From Jaguar Daimler Heritage Trust and Jaguar Classic Parts this line of CD-ROM publications allows owners to have comprehensive catalogs, manuals and dealer publications that have previously only been available to collectors. Please check our website for a complete listing of the contents of each CD-ROM. **All titles are \$31.95 each**

Parts & Service Publications:

Include reprints of factory parts books and full service manual.

XK120, XK 140, XK150 and XK150S 1948-'61	211-775
E Type Series 1 and 2 1961-'70	211-705
E Type Series 3 1971-'74	211-770
XJ6 and Daimler Sovereign Series 1 and 2 1968-'79	211-710
XJ6 and Daimler Sovereign Series 3 1979-'87	211-735
XJ12 and Daimler Double-Six Series 1 and 2 1972-'79	211-740
XJ12 and Daimler Double-Six Series 3 1979-'92	211-720
XJ-S 5.3 Litre 1975-'91	211-750

Parts and Service Bulletins:

Originally issued only to dealer personnel, these documents cover updates and technical details not included in the service manuals. These also give a fascinating insight into the inner workings of dealer servicing.

Parts & Service Bulletins Volume 1 Covers 1946-'68	211-755
Parts & Service Bulletins Volume 2 Covers 1969-'79	211-760
Parts & Service Bulletins Volume 3 Covers 1980-'94	211-765

Owner's Literature:

Owner's Handbooks and additional material that would have been available at the time of original purchase.

Owner's Literature Volume 1 Covers Jaguar and SS Saloons from 1933-'87 (not XJ40 or XJS). Daimler models including SP250 and DS420. 211-715

Owner's Literature Volume 2 Covers XJS, XJ220, XK8 and XKR to 2004. Jaguar XJ saloons from 1987 to 2002. 211-730

Supplementary Model & Service Information:

Includes documents and brochures that add historical information such as press packs, sales brochures and color guides.

Jaguar and Daimler Models (excluding XJ Saloons) 1930-'74	211-780
XJ6 and XJ12 Series 1, 2 and 3 1968-'92	211-745
XJS 1975-'96	211-725

Electrical System Diagrams and Electrical Data:

Model specific wiring diagrams may be difficult to find in the original service publications. These CD-ROM collections assist the owner in fault finding any electrical problem.

Electrical Systems Volume 1 Covers most SS, Jaguar and Daimler models from 1933 to 1992. Does not cover XJ40 or XJS. 211-785

Electrical Systems Volume 2 Covers XJS, XJ220, XK8 and XKR to 2002. Jaguar XJ saloons from 1987 to 2002. 211-790



Mini Jumper Cables

Real cables that work really well, but pack in a small space. Perfect for the glovebox or toolbox, or under the seat.

Mini Jumper Cables 900-060 \$26.95



Paint Prep Basics DVD Set

This training program consists of 2 discs, a DVD with two sections and a Reference CD.

DVD Content:

Basic Skills: 80 minutes of explanation covering safety, evaluation, cleaning, undercoat, hand sanding, power sanding, masking and undercoat application.

Projects: Step by step pictures of 20 different projects. Topics include minor dent filling, powder coating, MIG weld grinding, cabinet blasting as well as the prep of drive train parts, interior parts and frames. Reference CD covering all of the exercises, tool and materials recommendations and a sequence of general steps for a complete repaint.

Reference CD Content: Skill building exercises, a glossary, tool and material recommendations and a sequence of general steps for a complete repaint.

Video: Paint Prep Basics 211-105 \$49.95

New Products! | A05

THE LATEST FROM MOSS MOTORS



Chrome Accessories Add Flash

For some there can never be enough chrome. For these owners we keep our eyes open for likely pieces that can make your car sparkle at the next show. These chrome accessories are fitted with enameled emblems and will definitely add flash to your car.

Union Jack Flag Holder with Jaguar Logo		
215-565	\$25.95	
Headlight Cover with Jaguar Logo		
215-590	32.95	
Exhaust Deflector with Jaguar Logo		
215-410	29.50	



Sun Zapper Glare Shield

The Sun Zapper is the revolutionary new glare shield that attaches to any vehicle visor in just seconds. It offers protection for either driver or passenger and yet offers a completely unobstructed view of the road ahead. Additionally, the patented 'Sliding Sun Terminator' can be positioned to perfectly block out hazardous glare for dazzle-free driving, particularly in the early morning and late afternoon hours. The Sun Zapper conveniently fits on all vehicle visors, folds up and away on top of your visor when not in use, and can easily be removed for cleaning. Designed for safety, The Sun Zapper is lightweight, smooth-edged and shatterproof.

Sun Zapper Glare Shield	225-750	\$19.95
-------------------------	---------	---------



Grease Cap Puller for Wire Wheel Hubs

A clever solution to a difficult task, thread this puller onto a grease cap, put a screwdriver through the hole and simply pull it out. Saves time and frustration. For use on wire wheel grease caps with threaded stud.

Grease Cap Puller	384-935	\$27.95
-------------------	---------	---------



Bleeder Bottle

Brake bleeder catch bottle features a stainless lanyard to hold the bottle to a suspension component and a return nipple to prevent spills.

The Bleeder Bottle	337-120	\$19.95
--------------------	---------	---------



Battery Filler

Correct topping up of your battery is ensured with this vintage style battery filler. Simply insert the nozzle into the battery and press down onto the separators. The valve opens and automatically fills the battery cell to the correct level.

Vintage Battery Filler	163-400	\$12.95
------------------------	---------	---------



Infrared Thermometer

This is a very handy tool for tracking down cooling problems or even checking tuneups. Point and pull the trigger. The built in laser pinpoints the target and the large digital readout indicates the temperature. Use it to check thermostat operation, radiator efficiency or exhaust runner temperature.

Infrared Thermometer	386-265	\$64.95
----------------------	---------	---------



3rd Brake Light Kit

Center mounted 3rd brake lights reduce accidents, so much so they have been required on all passenger autos built since 1984. Our old cars, with two dim low mounted brake lights, aren't exactly easy to see. With a little creative wiring, you can mount one of our brilliant accessory 3rd brake light kits, and improve the safety of your British classic. The base of the chrome plated zinc style can be removed for flush mounting. The body of the Economy style is made from vacuum formed plastic.

Chrome Brake Light Kit	116-115	\$56.95
Economy Brake Light Kit	164-118	33.50



Union Jack Badge

New badge design available.		
Union Jack Badge	408-506	\$21.95



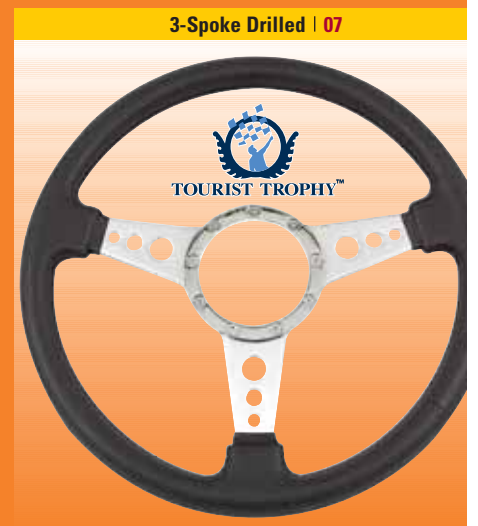
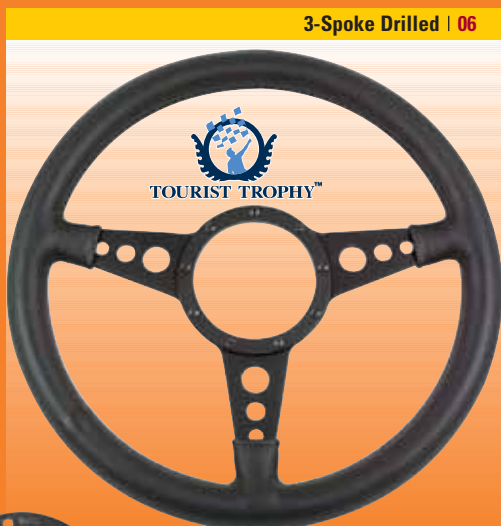
New Art on Plaques and Big Coffee Mugs

These plaques measure 10" x 14" and have brilliant graphics that will brighten up any den or garage. The coffee mugs are the big 15oz size and the graphics stand out on desk or workbench.

E-Type Coffee Mug	230-445	\$16.95
XK Coffee Mug	230-435	16.95
E-Type Metal Plaque	214-535	16.95
XK Metal Plaque	214-530	16.95

A06 Interior

STEERING WHEELS



Moto-Lita Steering Wheels

Moto-Lita steering wheels employ attractive bi-colored wood laminations or black leather over aircraft aluminum frames. Requires additional adapter hub sold separately.

Wood Rimmed Wheels

(01) 15" 4-spoke Polished	454-245	\$379.95
14" 3-spoke Polished/Drilled	499-560	319.95
15" 3-spoke Polished/Drilled	499-540	319.95
(02) 15" 3-spoke Polished/Slotted	499-580	319.95

Leather Rimmed Wheels

(03) 14" 3-spoke Polished/Drilled	499-520	\$319.95
15" 3-spoke Polished/Drilled	499-500	319.95

Leather Steering Wheel Cover

This premium grade black leather cover is custom tailored to fit 16 1/2" rims. Simple installation results in a quality factory-fitted appearance.

222-315 \$42.95



Adapter Hubs

For use with either Moto-Lita or Tourist Trophy steering wheels. Hub and logo may vary from items pictured. 28mm plastic emblem.

XK120	853-765	\$160.95
XK140-150S	454-307	109.95
XKE (also Mk2, Mk10, & 420)	853-795	99.95
XJ6/XJ12 1974-'87 & XJS	853-805	119.95
Replacement Horn Push	905-619	22.95



Dashlight Flashlight

Plug this flashlight into your cigarette lighter. This small, yet high-powered lightre-charges as you drive. LED charge indicator lets you know when it is fully charged.

900-005 \$13.95

Tourist Trophy Wheels

Tourist Trophy offers a complete selection of wood and leather steering wheels for most British automobiles and they are the best looking steering wheels we could find. Your choice in finish, material, grain, width and feel—it's the perfect way to personalize your interior. Made to the highest standards using aluminum frames for lightweight strength. Requires additional adapter hub sold separately.

Wood Rimmed Steering Wheels

(04) 14" 3-spoke Matte/Drilled	489-070	\$219.95
15" 3-spoke Matte/Drilled	489-060	219.95
(05) 15" 3-spoke Matte/Slotted	489-080	219.95
15" 3-spoke Matte/Drilled	489-090	219.95
	(extra thick rim)	

Leather Rimmed Steering Wheels

15" 3-spoke Black/Drilled	489-010	\$199.95
(06) 14" 3-spoke Black/Drilled	489-040	199.95
15" 3-spoke Black/Slotted	489-050	199.95
(07) 14" 3-spoke Matte/Drilled	489-030	199.95
15" 3-spoke Matte/Drilled	489-020	199.95

Interior | A07

ACCESSORIES

Trash Container | 08



(08) Trash Container

Put trash in its place. Our handy receptacle measures 4" in diameter and 5" tall. Securely stays in place by sliding over the edge of your floor mat. A removable plastic liner makes emptying easy. 101-140 \$29.95

Drink Holder | 09



(09) Drink Holder

Oversized 3 1/4" diameter opening will receive any cup and hold it securely. Sturdily constructed and flocked in Charcoal Grey material to complement any interior. Best of all, it is secured in place by sliding over the edge of your floor mat so you can use it in any automobile. Large Drink Holder 100-785 \$21.95



Expandable Cup Holder

Our retractable cup holder mounts nearly anywhere. The arms adjust in or out to the size of your container, and it folds up when not in use. 222-090 \$14.50

Vintage Competition Seatbelt | 10



Vintage Style Seatbelt | 11

(10) Vintage Competition Belts

Quick release buckle with mounting hardware included. 222-211 \$83.75 ea.

(11) Vintage Style Seatbelts

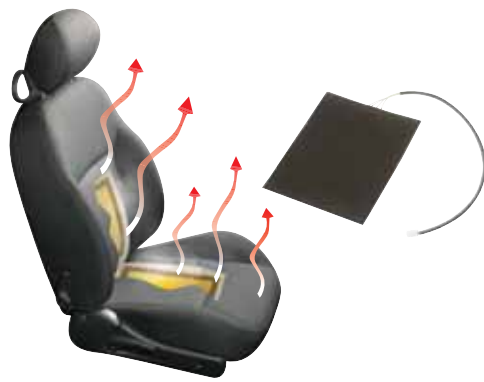
Black webbing with solid steel, chrome plated aircraft style buckles. Sold individually. The substantial webbing length can be trimmed for safe operation. Mounting hardware included.

3-Point Belt, Short (93" shoulder side, 12" on the lap side) 222-204 \$41.95

2-Point Belt, Short (38" adjustable clasp side, 20" tongue side) 222-234 23.95

3-Point Belt, Long (93" shoulder side, 20" on the lap side) 222-205 41.95

2-Point Belt, Long (38" adjustable clasp side, 30" tongue side) 222-235 23.95



Seat Heater

A little warmth in the right place can really make driving more comfortable. This therapeutic seat heater has dual zones and two settings to keep your bottom and lower back toasty. Designed to be installed under existing upholstery or seat covers, this kit is suitable for alternator-equipped cars. Sold as a set for one seat.

Seat Heater Kit 903-250 \$129.95

Inflatable Lumbar Support

This manually operated adjustable pneumatic lumbar support fits easily under the seat back upholstery of most cars. Once it's in place, simply pump it up to fit your back.

650-100 \$54.95



Rubber Floor Mat Sets

Protect your carpets from dirt, wear and fading. If mats get dirty, hose them down and return them to the car. Set of two. Black.

E-type 6 Cyl. (not 2+2) 646-780 \$24.95
E-type 2+2 and V12 646-790 24.95



Interior Repair

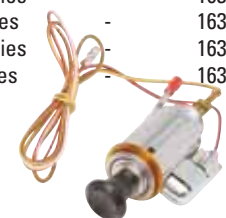
Make your interior look like new! These dash, console and pillar pads are molded to custom fit your Jaguar. Made of rugged vinyl for easy cleaning and durability. Installs easily over your old interior without any tools. Black only.

Radio Console Cover, Ser. III E-Type	858-960	\$72.95
Windshield Pillar Pad Covers, Roadster	858-468	114.95
Dash Top Cover, Ser. I, II E-Type	858-490	145.95
Dash Top Cover, Ser. III E-Type	858-950	156.95
Dash Top Cover, XJ6/12	25-101	104.95
Dash Top Cover, XJS	25-102	105.95

Ignition Key Blanks

Original keys are extremely rare. Keys are blank and must be cut locally. Order by the series number of your original locks.

	Non-Crested	BL Style
MRN Series	\$2.95	\$14.50
FA Series	163-510	-
FS Series	163-535	-
FP Series	163-545	-
AA Series	163-550	-
MG Series	-	163-375
RV Series	-	163-365
WS Series	-	163-355
BL Series	-	163-345
		163-335



OE Style Cigarette Lighter

To replace a defective original, or add an electrical outlet to earlier cars. This kit includes a complete illuminated lighter assembly as fitted to many British cars.

Cigarette Lighter Kit 142-270 \$32.95

A08 Exterior

BADGES & MIRRORS

Badge Bar Badges

	Cloisone RAC (A)	408-517	\$40.95
(01)	Queen Elizabeth (B)	408-376	44.95
	BMC Driver's Club	408-375	40.95
(02)	R.A.C. Badge (C)	408-695	89.95
	St. Christopher	408-435	106.95
	Brooklands (D)	408-175	64.40
	Coat of Arms (E)	408-185	59.95
(03)	Lucas (F)	408-705	59.95
	British Racing	408-379	59.95
	Badge Backing Plate	408-577	6.50
	Badge Clip (3/4" bar)	408-567	5.75



RAC Badge | 02



Lucas Badge | 03



Wing/Door Mirror | 04



Pressed English License Plates | 06

(06) Pressed English Plates

Identical to those used in England in the '40s, '50s and early '60s. Semi-sheared raised letters. Up to seven letters and numbers of your choice. Pre-masked to paint the background the color of your choice. 307-073 \$59.95

Grille Badges

Solid baked enamel finish on a polished stainless steel back.

England	408-507	\$21.95
U.S.A.	408-527	21.95
RAC	408-547	21.95
Coat of Arms	408-529	21.95



Cloisone Union Jack

Designed to mount on flat surfaces. 2 1/4" x 1 3/8". Set of 2, screws included.

Cloisone Badges 229-308 \$29.95

Chrome GB Letter Set

Chrome plated brass letters. Stud mounted letters require four small holes drilled in the car. Letters are pliable to follow for curved surfaces.

GB Letter Set 230-120 \$41.95



International Sticker

International country of origin insignia. Regulation size, self adhesive.

International Sticker 230-110 \$3.25



Magnetic Union Jack

No holes required. 215-330 \$6.95



Leather Bonnet Straps

Accurate reproduction of the works type straps fitted to race & rally cars.

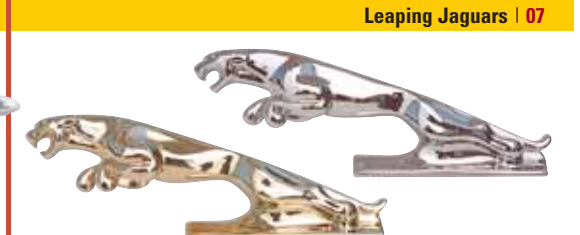
Tan, each	222-730	\$46.95 ea.
Black, economy, set of 2	222-600	20.95



Lucas Badge | 03



Wing/Door Mirror | 04



Leaping Jaguars | 07

Lucas Style Reproduction Mirrors

(04)	Flat Wing/Door Mount	223-310	\$24.95
(05)	R/H, flat lens	165-400	14.95
	L/H flat lens	165-500	14.95
	R/H convex lens	165-210	14.95
	L/H convex lens	165-300	14.95



05

Chrome Backplate

With Lucas logo. 165-307 \$11.95



Bullet Mirrors

Combination Mirror
Has two base options. Short base is 2.25" with bolt holes 1" apart. Long Base is 4.75" with bolt holes 3.5" apart.

222-372	\$39.95
---------	---------

Short Base with Oversize Lens
Dimension- Base 3.0" Bolt hole 1.25"

222-390	\$87.95
---------	---------

Raydyot Racing Mirrors

Made of lightweight aluminum, our American made reproductions are sturdy and have the "brushed" finish as original.

222-355 \$68.95 ea.



(07) Leaping Jaguar Mascots

A desk display or hood ornament. 4 1/2" long, available in gold or chrome.

Chrome	231-470	\$34.95
Gold	231-475	79.95



Twin Air Horns

Our twin tuned air horn set includes two tuned air horns, heavy duty die cast compressor, air hose, mounting hardware and installation instructions.

Twin Air Horns 545-080 \$42.95

Electric Screen Jet Kit

UK-made reproduction of the Lucas screen jet washer. Includes an authentic Lucas Screen Jet label.

546-125 \$429.95



Lucas-Style Windtone Horns

Used on many British sports cars of the '40s & '50s. Set of two.

165-708 \$114.95



Exterior | A09

CAR COVERS

(08) Duravent Car Cover

If your car is constantly exposed to the elements, the Duravent cover is for you. Water resistant, yet breathable, this cover works indoors and outdoors in virtually any condition. Features include double-stitched seams with neoprene elastic sewn in the front and rear bases for a snug fit, and scratch-proof grommets for locking or tying down your cover. This cover has a body specific fit for easy installation and carries a four-year warranty. Suitable for outdoors in uncovered areas.

Jaguar XK120-140-150	237-490	\$109.95
E-Type 6 cyl. OTS & FHC 1961-'71	237-550	109.95
E-Type 6 cyl. 2+2 1965-'71	237-555	109.95
E-Type 12 cyl. OTS 1971-'74	237-560	109.95
E-Type 12 cyl. 2+2 1971-'73	237-570	109.95
XJ6 Sedans, I, II 1968-'80	237-575	109.95
XJ6 Sedans 1981-'87	237-580	109.95
XJS Coupe 1975-'96	237-585	109.95

Flannel

This is the upper end of the car cover spectrum for indoor-only use. Features include double-stitched seams with neoprene elastic sewn in the front and rear bases for a snug fit, and scratchproof grommets for locking or tying down your cover. This cover has a body-specific fit for easy installation and carries a two-year warranty. Suitable for garaged areas only.

XK120-140-150	238-490	\$149.95
---------------	---------	----------

(10) Universal Fit Car Covers

Cost effective universal fit car covers can be used both indoors and outdoors to protect against dust and debris. The small size fits cars up to 13' that covers smaller sports cars. The medium size covers cars from 13' to 14' including the Jaguar XK120-150.

Triguard Car Cover, Small	236-441	\$49.95
Triguard Car Cover, Medium	236-446	49.95

	DURAVENT	FLANNEL
WARRANTY	4 YEAR	2 YEAR
CUSTOM FIT	YES	YES
GROMMETS	YES	YES
BREATHABILITY	☆☆☆☆	☆☆
UV RESISTANCE	☆☆☆☆	☆☆☆☆
STRENGTH	☆☆☆☆	☆☆☆☆
STORAGE	☆☆☆☆	☆☆
DUST & DIRT	☆☆☆☆	☆☆
POLLUTANTS	☆☆☆☆	☆☆
ACID RAIN	☆☆☆☆	☆☆
SCRATCH DEFENSE	☆☆☆☆	☆☆☆☆
HEAT RELEASE	☆☆☆☆	☆☆

Desiccant Pouches

Moisture Absorbing!
Keep interiors dry during storage. One pouch in each footwell helps guard against mildew and rot for up to six months.



229-995	\$18.95 pair
---------	--------------



Car Covers | 08



Universal Fit Car Covers | 10

(11) Car Capsule

Keep your car dust free, clean, dry, and protected from rodents, insects, scratches and other dangers. Park the vehicle on the laminated rubber base mat (which is impervious to gas and oil), zip the clear 8 mil PVC double-sewn cover over the car, and plug in the fan which provides continuous airflow to prevent corrosion, mildew, and musty odors. Short or long term storage. Car Capsule operates for under \$1.50 per month. Two year material and craftsmanship guarantee. Fan motor is rated for five years of continuous running. Indoor use only.

14' Size Car Capsule	238-600	\$399.95
16' Size Car Capsule	238-610	419.95



License Frames & Screws

High quality frames show off the heritage of your car. Screws (sets of four) are 6 x 1.0 metric threads.

Union Jack, Black steel	222-735	\$32.95
Union Jack, Stainless	222-725	38.95
Jaguar Frame, ABS Plastic	222-715	4.95
Jaguar Frame, Black steel	222-806	32.95
Jaguar Frame, Stainless	222-805	38.95
Jaguar Screws	215-890	13.95
Union Jack Screws	215-915	13.95



Screw Cover Set | 09

(09) Screw Cover Set

These covers are intended for use on license plate bolts. We are looking forward to seeing other creative uses for them at the next car show.

Union Jack Logo	215-853	\$12.95
-----------------	---------	---------

Plastic Antenna Grommet

237-495	\$0.35
---------	--------



Car Capsule | 11



Flush-Fit Antenna | 12

Rubber Antenna | 13



(12) Flush-Fit Radio Antenna

This collapsible antenna locks when antenna is down. Requires 9.5" depth to mount.

386-970	\$9.95
---------	--------

(13) 14" Rubber Antenna

This is a practical replacement antenna. Black. Includes 54" lead cable.

900-716	\$12.95
---------	---------

Electric Retractable Antenna

Our electric antenna kit wires into your radio for fully automatic operation. Requires 13.5" depth to mount.

386-960	\$79.95
---------	---------



A10 Exterior

ACCESSORY LAMPS



Halogen Classic Lamps

Upgrade your classic with halogen lamps. It's a great way to maintain the classic look and improve visibility. 5 1/2" Lens, Depth 2", 3/8" diam. Stud.

Driving Lamp	162-835	\$34.90
Fog Lamp	162-836	34.90
Replacement Bulb	162-765	5.60



Fog and Driving Lamp Mounting Kit

Factory type mounting kit for fog and spot lamps. Includes two each of: special brackets, chrome collars, grommets, etc. Fits all XK140s and 150s.
400-158 \$74.95

Hella Halogen Headlamp

Accurate optics and reflector put the light where it is needed. Safe for all vehicles originally equipped with 7" sealed beam headlamps. (sold each)

Hella Halogen Headlamp	902-997	\$39.95
Replacement H4 bulb	902-998	\$5.95



Headlamp Cover | 01



Headlamp Cover

Rigid clear plastic headlamp covers protect your 7" headlamps from rock damage. Fits most 7" headlamp applications.

(01) 169-200 \$19.95

Tripod Headlamps

For that classic look, Moss Motors offers two versions of the Classic Tripod Headlamp. The P700 was a step up from the standard headlamp and featured an internal tripod reflector with round center cap. Our reproductions capture the look and vintage design of these lamps.

(02) P700 Tripod Lamp Set
156-878 \$189.95

Replacement bulb for above lamps
170-600 8.40 ea.

The PL700 was fitted to many Jaguars and high level sports cars. The unique lens design and prominent PL badge give a distinct look that is part of the historical heritage of our cars. These lamps are reputed to have been made on original tooling, but the quality of the lens silvering and detailing is not as crisp as original samples we have of the PL lamp.

(03) PL700 Tripod Lamp Set
156-898 \$294.95
Replacement bulb for PL700 lamps
170-650 8.15 ea.



7" Halogen Headlamp Set

Made in the UK by Wipac, these high quality headlamps come with replaceable H4 bulbs. Fits all regular 7" headlamp applications.

Wipac Headlamp Set 162-725 \$99.95
Replacement H4 Bulb 162-755 12.95

NEW



Chrome Accessory Items

Add a sparkle to your car with these period pieces that evoke the classic show car looks of the '60s.

Chrome Headlight Shield Set 169-215 \$11.95
Exhaust Deflector 002-860 25.95



Hazard Switch Kit

This is a period accessory that allows four way flashers to be hooked up on a British car that was not originally equipped with them. This kit does require cutting and splicing of the original vehicle wiring so it should be installed by someone proficient with British electrical wiring.

Hazard Flasher Kit 635-625 \$114.95

Tripod Lamp | 02



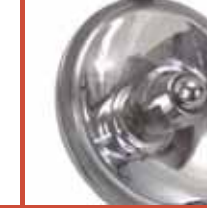
PL Tripod Lamp | 03



Driving Lamp | 04



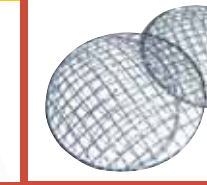
Driving Lamp | 05



Cover | 06



Stone Guards | 07



Fog and Driving Lamps

Quality reproductions of the classic 5 1/2" Lucas 500 series SLR and SFT lamps as originally fitted to many cars of the '50s and '60s.

Fog Lamps:

Stem mount	162-800	\$99.95
(04) Back mount	162-770	139.95

Driving Lamps:

(05) Stem mount	162-700	99.95
Back mount	162-760	139.95

Lamp Covers:

(06) 6" dia. fits above 500 series lamps	162-705	43.95
7" dia. fits Lucas 700 series lamps	162-865	48.95

Replacement Bulbs:

Driving Lamp Bulb	170-500	2.75
Fog Lamp Bulb	170-510	3.75



Halogen Headlamp Bulb for Early British Lamps

This Prefocus Headlamp bulb replaces Moss #170-600 or Lucas LLB370 and uses a 65/55W H4 Halogen bulb to give higher light output from early lamps. Note: Please check applications carefully, this bulb will not work in our PL700 Tripod Headlamps.

Halogen Prefocused Headlamp Bulb
170-695 \$19.95

(07) Headlamp Stone Guards

Heavy duty chrome plated wire mesh stone guards protect your headlights.*

222-100 \$11.95

*May not be street legal.

Wire Wheels | A11 TOOLS

Copper/Copper | 08



1 lb. Zinc Alloy | 09



4 lb. Zinc Alloy | 10



Tire Irons | 11



Protective Knockoff Wrench

Prevent damage to knock-offs with multi-ply wooden wrenches. The 52mm version fits Jaguar 2-eared knockoffs. 386-175 \$35.95



Wire Wheel Spoke Wrench

With its wide face and long handle, this wrench is perfect for adjusting most spoke nipples without rounding them off. 385-800 \$9.75



Long-Handle Knock-Off Wrench

Long-handle wrench allows you to tighten or remove spinners without a hammer. For Jaguar 52mm Knockoffs

386-130 \$59.95



Expanding Lug Wrench

Extending lug wrench includes sockets to fit most cars. 382-325 \$25.95

Wire Wheel Tools

Knock-Off Hammers

All types, weights and sizes for every possible application.

(08)	1lb. Copper/Copper	386-000	\$27.95
	2lb. Copper/Copper	386-850	43.95
	2lb. Copper/Rawhide	386-110	33.95
(09)	1lb. Zinc Alloy	386-020	29.95
(10)	4lb. Zinc Alloy	386-180	32.95

(11) Tire Irons

A close match to those in early tool kits. 387-008 \$22.95



E-Type Wire Wheel Hubs

We carry a full line of wire wheel hubs for E-Types. Replace worn out Series I and II hubs or convert a Series III to wire wheels.

E-Type Ser. I, II Left Front Wire Wheel Hub	011-080	\$172.95
E Type Ser. I, II Right Front Wire Wheel Hub	011-081	172.95
E-Type Left Rear Wire Wheel Hub	011-084	172.95
E-Type Right Rear Wire Wheel Hub	011-085	172.95
E-Type Ser. III Left Front Wire Wheel Hub	011-086	172.95
E-Type Ser. III Right Front Wire Wheel Hub	011-087	172.95



Valve Stem Cap Sets

Individually machined to exacting specifications. Fitted with an O-ring for proper sealing. Set of 5. 215-850 \$17.95



Locking Valve Stem Cap Set

Like the look of logo valve stem caps, but afraid of theft? These can only be removed with the included tool. Union Jack Logo 215-852 \$29.95



Brass Tire Gauge

Solid brass precision gear movement. Push button valve to bleed air to the desired pressure. U.S. and metric scales. 225-715 \$19.95



Digital Tire Gauge with Audible Readout

New design with an audio feature that announces the pressure, useful for use in the dark or for those of us with bifocals. Switchable between English and Spanish. 225-726 \$19.95



Inner Tubes & Rim Bands

Designed for use with radial tires and have rubber covered valve stems. (Can be used with bias-ply tires.) All sold individually.

Standard Inner Tubes		
155/165 x 15"	452-755	\$16.95
175/185 x 15"	452-765	19.95
XK120-150 Inner Tube		
175/185 x 16"	452-775	20.95
Rim Bands		
15" Rim Band	452-750	9.95

A12 | Wire Wheels & KNOCKOFFS

Laced Tubeless | 01



Original Style Wire Wheels from Moss

Moss Motors is proud to offer the complete line of Original Style Wire Wheels for Jaguars. Ser. I E-Type wheels feature the original "Curly Hub" style that sets them apart from other wheels on the market. Ser. II E-Type wheels have the "Easy Clean Hub" which was introduced in 1968. Choose original 5" replacement wheels with inner/outer spoke lacing, or wider wheels with the option of: inner/outer original lacing, center lacing for style or triple lacing for high strength. Rear bump stops must be removed for fitment of wider wheels. This normally does not affect safety or ride. Choose your finish: Stove Enamel Paint as per original, the beauty of Chrome Plated Rims with plated stainless steel spokes, or Polished Stainless Steel for the ultimate in corrosion protection. Most wheels now feature sealed rims to prevent the entry of water. And, many are now designed for tubeless use. (Please note, not all sealed wheels are suitable for tubeless use.) Chrome and Stainless Wheels have a two-year cosmetic and three-year structural warranty.

Series I E-Type, MKII

15 x 5" wide, 72 Inner/Outer Laced

Painted	854-365	\$194.95
Chrome	854-370	314.95
Stainless	854-371	539.95

15 x 5.5" wide, 72 Triple Laced

Painted	854-375	\$319.95
Chrome	854-380	419.95

15 x 6" wide, 72 Triple Laced

Painted	854-385	\$339.95
(03) Chrome	854-390	434.95
Stainless	854-391	659.95

15 x 6.5" wide, 72 Center Laced Tubeless

Chrome	854-425	\$409.95
Stainless	854-426	629.95

Series II E-Type

15 x 5" wide, 72 Inner/Outer Laced

Painted	854-285	\$172.95
Chrome	854-290	297.95
Stainless	854-291	519.95

15 x 6.5" wide, 72 Center Laced Tubeless

(01) Chrome	854-415	\$409.95
Stainless	854-416	629.95

Series III E-Type

15 x 6" wide, 72 Inner/Outer Laced

Chrome	854-300	\$297.95
Stainless	854-301	519.95

XK120-140-150

16 x 5" wide, 60 Outer Laced

Painted	854-350	\$259.95
(02) Chrome	854-360	349.95
Stainless	854-361	584.95

16 x 6" 60 Outer Laced Tubeless

Painted	854-435	\$289.95
Chrome	854-445	374.95
Stainless	854-446	614.95

16 x 6" 72 Inner & Outer Laced

Painted Tubeless	854-396	\$319.95
(04) Chrome	854-405	419.95
Stainless	854-406	644.95



Jaguar 2-Eared Knockoffs

Featuring Jaguar lettering and high quality chrome finish. Replace damaged originals, or achieve a more classic look on later cars.

Left Hand	011-881	\$74.95
Right Hand	011-880	74.95

Outer Laced Chrome | 02



Triple Laced Chrome | 03



Inner & Outer Laced Chrome | 04



*See ordering page for details

Wire Wheels | A13

Jaguar Wire Wheels

Introduction

A common concern among Jaguar owners is to balance the original look of their cars' wire wheels with the demands of modern motoring. Moss Motors now has a solution to this quandary by offering an extensive line of original Style Wire Wheels in a wide variety of sizes and spoke lacings. Whether your concern is exact authenticity on an early car or the need for a painted, triple-laced wire wheel for competition, your needs can now be met. (Competition and Stainless Steel wheels are special-order items that require 6-8 weeks for delivery.) Here are a few of the features of 15" Moss Wire Wheels for the Jaguar XK120-XK150, E-Type and classic Saloons:

Hub Styles

15" wheels are available in two different hub configurations: "Curly Hub" and "Easy Clean." The stamped-steel Curly Hub was originally fitted up to July 1968, when it was replaced by the forged "Easy Clean" hub. The stamped Curly Hub is unique and offers a more classic, interesting appearance. As the "Easy Clean" name implies, this style of hub forging is easier to polish and gives the wheel a smooth, more modern look.

Painted Vs. Chrome

Most Jaguars were originally fitted with painted wire wheels. Chrome wheels were a popular option, but the stove-enameled look may be what you want to set your car apart on the show field. Painted wire wheels were used on all competition cars, and they can add a more correct, purposeful look for vintage race cars and other high-performance machines.

Corrosion Resistance

Moss painted wire wheels have very high corrosion resistance. Before being painted, they are primer-coated using Cathodic Electroprotective Technology, popularly known as "electro-" or "e-coat." The silver-grey paint topcoat combines with the primer to give the wheel a salt-spray resistance of 840 hours when tested per ASTM standards. Painted wheels have a one-year cosmetic and two-year structural warranty.

Each chrome wire wheel has a rim and shell which are polished in special-purpose machines, then hand-polished by skilled craftsmen. To enhance the corrosion resistance, microporous nickel plating is done prior to chrome-plating. The product conforms to the stringent International Standards ISO 1456-1988 specifications. The spokes and nipples are chrome-plated stainless steel for brightness and long life. Chrome wheels have a two-year cosmetic and three-year structural warranty.

For the ultimate in corrosion protection, Moss offers a new line of Stainless Steel wheels, which also features a tubeless design. The all-stainless construction makes rusty and pitted wheels have a two-year cosmetic and three-year structural warranty.

Inner & Outer Spoke Lacing Design

Original Jaguar wheels used an Inner-and-Outer Lacing design where the spokes connect to the inner and outer rims of the wheel. This gives the wheel strength, and this is the best lacing design for originality and road use. The disadvantage is the difficulty in keeping the rim clean where the spokes connect.

Center Laced Spoke Design

Center Laced wheels have their spokes connecting the hub to the center rib of the wheel only. This gives the outer rim a clean appearance and is very attractive. This type of wheel typically has a greater offset due to the lacing design, which brings the tire closer to the outer fender lip. Center-laced wheels often appeal to Jaguar owners who are more interested in giving their cars a custom look than in concours-correct original-equipment appearance.

Triple Laced Spoke Design

Triple Laced wheels are very strong and are suitable for extreme performance use. As the name implies, the spokes go to inner and outer rims and also to the center rib. This type of lacing is suitable for vintage racing use and also adds the competition look to a hard-driven street car.

Rim Widths and Tire Considerations

Original 6-cylinder E-Types and Saloons had a 5"-wide rim with a 21.0mm inset, and later cars were fitted with 185HR15 tires. This combination gave the car a vintage look and feel, which many owners still find timeless. The original wheel and tire combination offer a lightness in steering and suspension that can be lost with wider wheels and tires. The ability to drift around corners with the tail hanging out is not about to endear the driver to the gendarmes, but is an important part of the original experience of the car. The 5" wheels will accept 185/70 to 195/75 tires and retain the original look of the car.

For those interested in modernizing the car or re-creating competition options, Moss offers wheels up to 6.5" wide. These wider wheels will accept the generally available 205/70R15 tire, which was stock on the V12 E-Type. The combination of 6" or 6.5" wheel and wider tire fills out the wheel wells of the E-Type and gives its lovely body shape a stronger look—more along the lines of today's mega-rubber fashion. Care must be taken to ensure tire clearance with the wider wheels. In most E-Type applications, the rear bump stops may have to be removed for wider-tire clearance; this is simple to do and does not affect safety. On the Mark II and 3.8S saloons, rear fender clearance is critical, and some modifications to the fender or spat may be necessary with even a 6" wheel.



Wire Wheels for Earlier Jaguars

Common practice for XK owners has been to forego their original 16" wheels in favor of 15" wheels to allow a wider range of tires choices. However, Moss now offers alternatives to the standard 16" wire wheels. Two versions are available: a 6"-wide wheel with 72 inner-and-outer laced spokes and a 6"-wide wheel with 60 outer laced spokes (which closely resembles the original competition offering).

Knockoffs: Winged or Safety?

Two-winged knockoffs were standard on wire-wheeled Jaguars until 1968. At that point, U.S. legislation mandated octagonal-style "safety" knockoffs. Those who own the newer cars and want to keep them original will want to retain the safety knockoffs. However, this design change was forced by bureaucrats rather than an improvement on the part of the Jaguar Car Company. Returning the car to its original intended design and look in conjunction with new wire wheels can be part of an overall refurbishment of the vehicle. Winged knockoffs bring back the original look and charm of these cars at no more cost than replacing damaged original safety knockoff nuts.

In conclusion, the availability of this extensive line of Moss Wire Wheels is great news for American Jaguar owners. New replacements can actually be more affordable than rebuilding original wire wheels.



A14 Performance

EXHAUST & IGNITION

Stainless Exhaust System | 01



Stainless Steel Exhaust Systems

(01)

Constructed entirely of top-quality stainless steel, ideal system for your car if you live where winter road conditions are harsh. Includes all pipes from the manifold flange back. Clamps and hangers not included. Life guaranteed against corrosion only.

XK120 Roadster (120M system)	860-170	\$549.95
XK120 FHC & DHC	870-175	471.95
XK140-150 Dual muffler	860-190	680.95

Pertronix Second Strike | 02



(02) Pertronix Second Strike Ignition System & Rev Limiter

Two sparks are better than one. This box adds a hot second spark to your ignition system to improve burning, power and efficiency. To keep the extra power under control the unit includes a Digital Rev Limiter. Fits all 12 V Negative Ground. Ignition System 222-625 \$409.95

Pertronix Digital Rev Limiter

If you are autocrossing or racing, this unit is essential to prevent over-revving and engine damage. A 4-wire hookup and the rev limiter's small size (2.5" x 3.0" x 1.4") make installation and fitment in many locations within the engine compartment easy. Fits all 12 V Negative Ground. Rev Limiter 222-635 \$174.95

Tar Top Batteries | 03



Optima Battery | 04



(03) Classic Tar Top Batteries

Our UK-made tar top batteries were fitted as original equipment to many British sports cars. An original looking battery. Shipped dry. Battery acid should be purchased locally.

6-Volt Battery	459-380	\$289.95
12-Volt Battery	459-400	209.95

(04) Optima Battery

The Optima battery never needs water, won't leak and damage paintwork and has a cold cranking capacity much higher than conventional batteries. If you want modern battery technology, but prefer a more vintage look, the Tar Topper designed to fit over the Optima is the answer.

Optima Battery	459-405	\$199.95
Tar Topper	241-035	36.95

K&N Filters | 10

Chrome Filter | 11



(10) K&N Air Filters

K&N air filters are designed to be washed and reused for the life of your engine. Ten-year K&N warranty or 1 million miles (non-competition use). All filters sold individually.

Chrome K&N Air Filter Assemblies

For 1 3/4" SU carbs:		
1 3/4" deep	222-955	\$69.95
3" deep	222-960	67.95

Chrome K&N Air Filter Assemblies

40 DCOE and 45 DCOE:		
1 3/4" deep	222-245	\$64.95
3" deep	222-240	84.95
Filter Cleaning Fluid	231-480	9.95
Filter Oil Bottle (250ml)	231-490	5.80

(11) Stellings & Hellings Style Filters

Reproductions of optional period accessory chrome plated slim line filters. Sold individually. 1 3/4" SUs 621-500 \$31.95

Pertronix Ignitor Electronic Ignition

- Available in both positive and negative ground versions.
- No external control boxes to mount.
- No points to set or change.
- Hall effect sensor is impervious to dirt, dust, moisture, or vibration and retains stock advance curve.
- Locate Lucas model number stamped in housing by the vacuum advance.
- 30 month manufacturer's warranty.

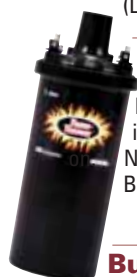
Jaguar 6 cyl. 64-74 (Lucas Model 22D6)

Negative Ground	222-395	\$99.95
Positive Ground	222-565	127.95

Jaguar '79-'87, 6 cyl, with remote amp.

(Lucas Model 45DM6) 222-525 \$124.95

Pertronix Ignition Coils

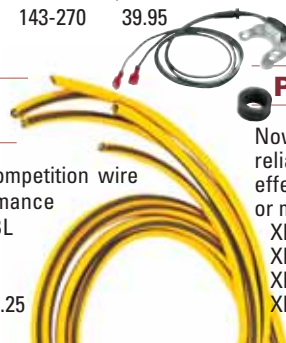


Matched to the Ignitor ignition. Ballasted ignition systems include all Jags from '72

Non-ballasted	143-265	\$39.95
Ballasted systems	143-270	39.95

Bumblebee Ignition Wire

This type of distinctive competition wire was a very popular performance accessory with the BMC/BL Competitions Department from the '50s to the '70s. Sold per foot. 571-020 \$3.25



Mallory Distributors

Unilite Electronic Distributor

Self-contained, rugged photo-optic trigger and adjustable mechanical advance. Simple three-wire hookup. Shaft must be drilled for drive dog (not included). Negative ground only. 543-045 \$479.95



Mallory Dual Point Distributor

These distributors can be tailored to suit any engine tune. The Mallory dual point distributor is particularly well suited for Weber carb installations. Shaft must be drilled for drive dog (not included). 543-040 \$269.95

Mallory Advance Curve Kit

A selection of advance springs of various weights that allow you to finely tune your Mallory distributor. Complete with detailed instructions and advance curve diagrams.

Advance Spring Kit	143-236	\$41.95
--------------------	---------	---------

Mallory Tune-Up Parts

Point Set (2 req.)	143-185	\$16.95
Rotor, Dual Point	143-190	6.95
Rotor, Unilite, 6 cyl.	143-280	14.95
Condenser	143-195	6.95
Cap, 6-Cylinder	143-225	27.95

Pertronix Electronic Ignition

Now available for earlier cars, Solid State reliability, with no external control box. Hall effect sensor is impervious to dirt, dust, or moisture

XK150 with DM6. (-) Grnd.	222-571	\$109.95
XK150 with DM6. (+) Grnd.	222-570	119.95
XK120-140. (-) Grnd	222-645	189.95
XK120-140. (+) Grnd	222-646	189.95

Performance | A15

ELECTRICAL & FUEL

Cut-Off | 05



Quick Bolts | 06



Soft Mount Kit | 07



Double Ended Fuel Pump | 09



(05) Battery Cut-Off Switch

Quickly and effectively disconnects your battery for servicing or long term storage. Sized for negative posts. 145-795 \$13.95

(06) Quick Bolt Set

Quick Bolts have a camming system to clamp down on battery posts. Simply replace the bolts in your cable ends with Quick Bolts and you can connect or remove the cables without tools. Quick Bolt Set 900-015 \$13.50

Mounting Bracket | 08



(07) Weber DCOE Soft Mount Kit

Vibration plays havoc with fuel level, so any Weber DCOE installation works better when the carburetor is isolated from the manifold. This kit solves the problem and following up on customer requests we now have it in stock. Weber Soft Mount Kit 222-251 \$32.95

(08) Universal Coil Mounting Bracket

Replace missing, bent or corroded coil brackets. Also useful if you are upgrading or relocating the coil. 143-255 \$5.95

SU Competition (09) Double Ended Fuel Pump

Double-ended SU pumps have been standard equipment for years on Aston Martins, Bentley and late model E-Types. These units will keep on pumping even if one side fails. Well-suited for all high-performance engines running SU carbs, as no pressure regulator is required.

Standard Points

Non Polarized 377-036 \$349.95

Solid State

Positive Ground 377-345 \$369.95

Negative Ground 377-335 377.95



Battery Switches

Battery cut-off switches simplify servicing and long-term auto storage. A strategically placed remote switch deters theft.

Remote Switch 145-770 \$134.95
Neg. Post Mount 145-780 159.95

Racing Battery Switch

Primarily intended for competition use, this rugged switch can be used on any car. The removable key deters theft. Attached rubber cap keeps dirt and water out when the key is removed. Meets FIA requirements for motor sport. 145-785 \$76.95



Electronic Ignition

Expect faster starts, cleaner running and better performance at all engine speeds.

For point-type dist. 222-680 \$134.95

Lucas Sports Coil

40,000 volt output gives more starting power, and greater performance at high rpm. Works with non-ballasted ignition systems only. 143-200 \$39.95



Crane Ignition Coil

The "nickel plated" PS40 coil complements the Crane XR-700 electronic ignition kit. Includes a ballast resistor. PS40 Coil 143-240 \$54.95



PriorityStart

Automatic monitors battery voltage. If there is a drain taking place, it automatically disconnects the battery, leaving enough voltage to start the vehicle. 459-350 \$84.95



Billet Fuel Filter Kit

The ease of cleaning and clean lines of this filter assembly will add a touch of custom brightness to the engine compartment. The chromed hose barbs can be removed and 5/16" AN-6 fittings attached directly to the body of the fuel filter giving a high degree of fitment flexibility. 377-305 \$46.95



SU Solid-State Fuel Pump

New from SU electric fuel pumps with modern reliable electronic, solid-state switching and control which eliminates the use of contact breaker points. Now you can have a vintage looking SU fuel pump with peace of mind that only an electronic fuel pump can offer. Plus the characteristic ticking is retained.

XK120-140-150

Square Body Pump

(-) ground 377-265 \$409.95

(+) ground 377-275 409.95

E-Type '68 - '71 & XJ6 '68 - '75

(+) ground 377-245 \$174.95

(-) ground 377-255 154.95



A16 Performance ACCESSORIES

Voltage Regulator | 01



Electric Fans | 02



Washer Bottle Assembly | 03



(02) Hayden Electric Fans

These fans may be set up to run in either "pusher" (in front of the radiator) or "puller" (behind the radiator) configuration. The 10" fan requires a clear mounting area of at least 10-5/8" x 11-1/8", while the 12" requires at least 11-1/2" x 12-1/2", 14" fans are also available. Both fans come complete with hardware and instructions. The preset temperature control will turn the fan on at 185°F and off at 170°F.

10" Cooling Fan Kit	231-678	\$129.95
12" Cooling Fan Kit	231-688	139.95
14" Cooling Fan Kit	231-658	149.95

(01) Original Style Voltage Regulator

Original Style Voltage Regulator Available Again. Early car owners can now replace defective or missing voltage regulators with a UK sourced reproduction of the original 9 post unit that includes the fuse holder. Nice reproduction, but without the Lucas Logo on the cover. Combine it with our reproduction Lucas Logo cover 141-920 to keep your car original looking.

9 Post Regulator	141-900	\$239.95
------------------	---------	----------



Steering Rack Polyurethane Bushing Kit XJ6/12/S

Replaces the failure prone original rubber bushings with long lived Polyurethane. Poly bushes install easier than the originals and last longer. CAC1635K \$25.95



Magnetic Oil Drain Plug

Protects your engine by capturing any metallic contamination in the oil. 011-764 \$17.95

*See ordering page for details



Aeroscreen

Reproduction of the traditional Brooklands Racing Screen. Includes a polished aluminum frame, safety glass and hardware. 224-100 \$134.95



Battery Acid Neutralizing Mat

A special acid absorbent material neutralizes acids as they leak from your battery. Cut with scissors to match the shape of any battery or tray. 241-025 \$5.95

(03) XK150 Washer Bottle Assembly

Absolutely beautiful reproduction of the original bottle, vacuum pump, and mounting bracket will not only help keep your windshield clean, but will add a special finishing touch to your engine compartment. 011-785 \$399.95



Car Care | A17

& MAINTENANCE

Assembly Lube | 01



Cam Lube | 02



Step 1 | 05



Step 2 | 06



Mr. Moly | 11



Hylomar | 03



Wellseal | 04



Step 3 | 07



Cam & Lifter | 08



(11) Copaslip Anti-seize Compound

This anti-seize is highly recommended for wire-wheel splines and knockoff threads. The Molybdenum formulation reduces galling and corrosion to improve the life of wire wheels and hubs. Wheel and hub surfaces should be cleaned and relubricated at least once per year as part of a regular maintenance program.

57g (2oz) Tube 221-405 \$7.95
250g (8.8oz) 221-410 16.95

(10) Mr. Moly Lubrication Products

Liquid Grease Spray

High quality liquid grease in a spray can with molybdenum disulfide. Suitable for lubricating door locks and hinges. No air shipping.

Liquid Grease Spray 221-415 \$11.95

Engine Oil Supplement

A suspension of Molybdenum Disulfide provides a friction reducing barrier able to withstand extreme pressures. Will not clog filter or passageways. Works with all motor oil including synthetics. DO NOT use during engine break in.

Engine Oil Supplement 221-420 \$11.95

Transmission Supplement

Molybdenum Disulfide manual transmission supplement reduces friction to reduce wear and heat in gearboxes and differentials. Do not use in automatic transmissions or limited slip differentials.

Transmission Supplement 221-425 \$16.95

Engine Assembly Aids

“Ultra Slick” Engine Assembly Lube: Use “Ultra Slick” during assembly of camshafts, lifters, engine bearings, timing components, valves and guides and rocker shaft assemblies.

(01) Assembly Lube 221-565 \$6.40

Cam Lube: To make sure your new cam lasts a long time, use our cam lube when installing a new camshaft or lifters.

(02) Cam Lube 221-570 \$10.95

Hylomar HPF Gasket Dressing & Sealer: Holds gaskets in place during assembly and allows repositioning useable seal after assembly. Useable in temperatures from 60° to over 600°F.

(03) Hylomar 221-556 \$7.95

Wellseal Jointing Compound: Made in England and specified by many workshop manuals, this non-hardening gasket sealant allows you to float the gasket into position while staying flexible under load.

(04) Wellseal 221-540 \$18.95

ReLead & Stor-N-Start

Stor-n-start is an additive that prevents deposits from forming in fuel lines and carburetors. ReLead replaces the valve lubricating qualities of lead formerly used in gas.

Stor-N-Start 220-375 \$6.95
ReLead 220-390 11.95

Lead Substitute With Octane Booster

Effective valve and valve seat protection plus a powerful octane booster that will raise octane rating by as much as 5 points depending on the type of gasoline.

220-365 \$3.25

Oil Spill Mat

Keep work area surfaces clean when changing the oils or taking on any job underneath your car.

Oil Spill Mat 221-605 \$19.95

Fuel Tank Restoration

Step 1: Fuel Tank Restoration: We recommend using this bio-degradable cleaner in conjunction with the etching liquid when planning to seal a fuel tank. 1-gallon plastic container.

(05) Tank Cleaner 220-620 \$34.95

Step 2: Fuel Tank Restoration: Use this bio-degradable etcher as a prep to our slushing compound to give maximum adhesion of the sealer. Our tank cleaner should be used first to remove oils or grime. 16 oz.

(06) Tank Etcher 220-630 \$15.95

Step 3: Fuel Tank Restoration: This slushing compound fluid puts a protective film on the entire inside surface of your fuel tank to prevent rust and eventual fuel line blockage. Tanks should be cleaned with 220-620, then etched with 220-630 first.

(07) Tank Sealer 220-450 \$34.95

(08) Cam & Lifter Break-In Protection

Super Lube Break-in concentrate is an anti-wear additive formulated with a high concentration of special zinc dithiophosphate to provide sustained protection against cam lobe and lifter scuffing and wear. Should be used for the initial break-in period ONLY. Most current oils have severely reduced this zinc content leading to elevated stresses where rubbing occurs and therefore potential premature cam lobe and lifter failure.

221-430 \$9.95

(09) Muffler and Tailpipe Sealant

Improves joint sealing and eases fitting of exhaust components.

221-545 \$3.25



Water Repellent Kit

Created by the makers of the original windshield water repellant, this amazing glass cleaner and water repellant kit seals auto glass with a super smooth invisible barrier that repels rain, sleet and snow on contact. Dirt, road grime and insects can't stick, letting your wipers push them aside. Kit includes 10 oz. bottle of glass cleanser that strips away built up dirt, insects, salt, wax, tree sap, and road grime without scratching; and 5 oz. bottle of super concentrated water repellant gel that seals the glass for weeks at a time.

Kit 221-528 \$12.50
Glass Scrub 221-520 5.25
Rain Clear 221-525 7.25

A18 | Car Care & MAINTENANCE

AutoGlym Car Care | 01



Renovo Soft Top Care | 02



(02) Renovo Soft Top Care

The best care you can give to your fabric or vinyl convertible top. Water based Renovo products clean, waterproof and revive tired tops safely.

Fabric Top Dry Cleaner	220-260	\$20.95
Water & Stain Proofer 1 L	220-265	35.95
500 ML	220-280	21.95
Vinyl Top Cleaner, 500 ML	220-285	16.95
Vinyl Top Protector, 500 ML	220-290	16.95
Plastic Window Polish 100 ML	220-255	26.95
Plastic Window Polish 30 ML	220-275	9.90
Black Fabric Top Reviver 1 L	220-250	57.95
Black Fabric Top Reviver 500 ML	220-270	29.95
Blue Fabric Top Reviver 1 L	220-295	57.95
Blue Fabric Top Reviver 500 ML	220-300	29.95
Brown Fabric Top Reviver 1 L	220-305	57.95
Brown Fabric Top Reviver 500 ML	220-310	29.95



Professional Car Duster

100% cotton dusting mop is treated with special wax to trap dust. Simply shake it out and it's ready to use again. 20" long. Comes with a protective carrying case. 231-670 \$15.95



Mini Car Duster

Wax treated cotton fibers lift dust off surfaces. Simply shake the dust out after every use. Will not scratch finish. 231-671 \$8.95

(01) AutoGlym Car Care

For over 30 years Autoglym of England has been producing award winning shine on many of the world's finest automobiles. Used by such companies as Jaguar and Aston Martin for Motorshow preparation.



Moss is proud to introduce a full line of Autoglym car care products.

Super Resin Polish	220-950	\$13.95
Car Exterior Shampoo	220-951	10.40
Car Interior Shampoo	220-952	10.35
Glass Polish	220-953	10.40
Metal Polish	220-954	10.35
Vinyl & Rubber Cream	220-955	13.95
Wheel Cleaner	220-956	12.95
Leather Care Cream	220-957	10.40
Engine Cleaner	220-958	13.95
Cutting Polish	220-959	10.45
Extra Gloss Polish	220-960	15.95
Plastic Restorer	220-961	12.95
Instant Tire Dressing	220-962	12.95



Simichrome Metal Polish

Highly recommended polishing paste for brass, aluminum and chrome. Leaves a super shine with a protective film for lasting brightness.

225-350 \$10.15



Wire Wheel Brush

If your car has wire wheels, you need this brush! Shaped to get around the spokes without damaging your knuckles, this heavy-duty brush makes wire wheel cleaning a snap.

Wire Wheel Brush 386-940 \$8.20



Sheepskin Wash Mitt

The natural sheepskin fibers hold soap and gently remove grime without paint damage.

Sheepskin Wash Mitt 231-645 \$7.95

Kozak Dry Wash | 03



(03) Kozak Dry Wash Cloth

Kozak's specially treated long cotton fibers are woven into a thick plush nap, which draws dust up away from your paint. Cleans without water.

231-620 \$11.95

Novus Plastic Polish | 04



(04) Novus Plastic Polish

Bottle #1 cleans and polishes plastics. Bottle #2 restores the original appearance of plastics. Bottle #3 removes heavy scratches and abrasions from acrylic surfaces. Final finishing requires Novus #2. 8 fl. oz. bottles.

#1 Plastic Polish	220-605	\$5.95
#2 Plastic Polish	220-610	6.95
#3 Plastic Polish	220-615	7.95

Rain•X



Will not damage wiper blades. Rain•X Anti Fog treats windows, mirrors, goggles and any other nonabsorbent surface.

Rain•X	221-550	\$6.95
Anti Fog	221-575	6.50

Convertible Top Maintenance

The only top cleaning & protection system endorsed by Haartz. Recommended by Doug Robbins of Robbins Autotop. Keep your convertible top clean and protected, so it will last longer and stay new looking.



Top Cleaner	221-505	\$9.50
Fabric Protectant	221-510	16.95
Vinyl Protectant	221-515	13.95

Car Care | A19 & MAINTENANCE

Auto Dry Blade | 05



(05) Auto Dry Blade

This 11.5-inch Water Wand swipes away surface water. The soft silicone T-bar contours to your vehicle's shape and glides over any paint surface without scratching the finish. Produces 15% less friction than terrycloth. 001-575 \$19.95

Lockheed | 07



Classic Color Paints | 10



(10) Classic Color Spray Paints

Paints are ozone friendly. Bare metal must be primed to achieve satisfactory results. 12 oz aerosol cans. Ground shipping only.

Black Engine Paint 220-575 \$9.95
Silver-Grey Disc & Wire Wheel Paint 220-560 15.95

Black Wrinkle-Finish Paint: Dashboards, Wiper Motors, etc. 220-570 11.95

Castrol | 08



Silicone | 09



(12) Finnigan's Waxoyl

Your best defense against rust. Starter kit includes 2.5 liter can of Waxoyl, pump and sprayer.

2.5 Liter Waxoyl Kit 225-360 \$79.95
2.5 Liter Waxoyl Refill 225-365 40.95
5 Liter Waxoyl Refill 225-370 57.95
400ml Waxoyl Spray 225-375 16.95

Connolly Hide Food | 06



(06) Connolly Hide Food

This is the famous "Hide Food", only the name has changed. Apply once a month to keep leather clean, soft and luxurious. Made in England.

Connolly Hide Food 220-210 \$16.95

Gasket Maker | 11



(11) Right Stuff Gasket Maker

The latest in Elastomeric Rubber Gasket technology. Useful for hard to seal areas such as differentials and oil pans. Resists coolant, oil and ATF. 5 oz 221-450 \$21.95

Waxoyl | 12



Stop Rust with Corrosion Block

Penetrates corrosion cells, removes moisture and leaves a protectant coating. Useful for protecting bare metal during a restoration project.

12 oz Aerosol (no air shipping) 225-380 \$16.95
32 oz Pump 225-385 35.95



Connolly Leather Cleaner

Used for decades by the world's premier car manufacturers. Easily removes difficult spots on your leather interior without drying the finish.

220-211 \$22.95



Lexol Leather & Vinyl Products

Leather Cleaner removes grime. Vinylex is designed for everything from dash tops to convertible tops.

Cleaner 220-190 \$16.95
Vinylex 220-185 18.95
Conditioner 220-195 16.95
Cond. Refill 220-200 15.25



Brake Fluids

Castrol LMA & Lockheed Brake Fluid: Both LMA Brake Fluids exceed all factory DOT specifications. Compatible with all British brake systems.

(07) Lockheed 1 pint 220-400 \$4.50
(08) Castrol 1 pint 220-455 4.95
Castrol Gallon Can 220-505 48.95

Silicone Brake Fluid: Will not absorb moisture from the air like ordinary brake fluids, resulting in longer life for brake cylinders and hoses. One quart is sufficient for fluid change in one car.

(09) Silicone Brake Fluid 220-410 \$24.95

Penrite Steering Gearbox Oil

High viscosity lubricant containing non-corrosive extreme pressure additives. Not recommended for rack and pinion steering.

225-340 \$17.35



Evapo-Rust

No more wire-wheeling and bead-blasting of smaller rusted parts. Just immerse the item in Evapo-Rust and the oxide is carried away by this non-corrosive water-based solution. Wash the part in soap and water and it is ready for paint or other finish. One gallon will go a long way as the fluid can be reused over and over.

Evapo-Rust, 1 gallon 225-390 \$25.95



Water Wetter

A wetting agent that helps coolant "bond" to metal surfaces thus increasing heat transfer. Highly recommended for all climates.

220-115 \$11.95



Dashpot Oil

Specifically designed for both SU and Zenith carbs this oil will ensure your car's proper performance 125 ml. 220-225 \$8.95



Transmission Gear Oil

Effective in all manual transmissions. Also improves copper corrosion protection to prolong the life of brass and bronze synchro rings, bushes, and thrust washers. (1 quart)

220-145 \$11.95



Shock Absorber Fluid

Custom blended specifically for British Girling and Armstrong lever action shock absorbers. Convenient flip-open pouring spout for easy refills. 16 fl. ounces.

220-304 \$10.95



A20 | Workshop Tools & EQUIPMENT

Castrol Collectables | 01



(01) Castrol Oil Collectables

Classic Castrol Oil Cans look great in your den or garage.

2 Pint	216-565	\$26.95
1 Pint	216-555	22.95
1/2 Pint	216-545	24.95

Tool Creeper | 02



(02) Tool Creeper

This creeper helps keep your tools and parts close when working. Includes a magnetic center strip to keep things from moving. The foldaway handle makes it easy to store. Dimensions are 13" X 13".

384-895 \$23.95

Self-Lifting Dolly | 03



(03) Self-Lifting Rolling Dolly Storage System

Slide the caster assembly under a wheel, press down on the pedal until the tire is gently lifted off the ground. The heavy duty casters allow easy movement to free up space in the garage.

Set of 2 Dollies 900-162 \$359.95



Mityvac Fluid Transfer Pump

Just what you need to add to your tool kit. Useful for transferring liquids or can be used as an inflator. Fill or drain gearbox or differential, includes hose reducer and pickup tube that will fit down many engine dipstick tubes.

386-275 \$16.95

NEW



Brake Fluid Tester

How long has it been since you have changed your brake fluid? Absorbed moisture in brake fluid drastically reduces braking effectiveness and increases system wide corrosion. This handy tester determines percentage of water and quickly lets you know if it is past time for maintenance. This tool could be a lifesaver for both you and your car.

386-845 \$89.95



Lift-the-Dot Hand Punch

Aimed at Professional installers, this tool would make a fine car club tool box addition. Punches center hole and prong holes for installation of Lift-the-Dot fasteners to make installation of tops and tonneau covers a cinch.

Lift-the-Dot Hand Punch 226-105 \$75.95



Fire Extinguisher

2 lb. dry chemical extinguisher, U.L. rated 5-B:C to protect against electrical, fuel and oil fires. 11" x 3.5" size, mounting bracket included.

220-380 \$22.95

Chrome Halon Fire Extinguisher

Every classic car should have an affordable onboard insurance policy in the form of a functional fire extinguisher. Carrying one is just common sense. Halon is an extremely effective fire suppressant and causes the least amount of residual damage and is safe for human exposure. Our compact 10" chrome extinguisher can be easily mounted to many surfaces with the included bracket.

220-383 \$144.95



Exhaust-Gas Analyzer

Tune your car for best performance and low emissions. Measures carbon monoxide in your exhaust to help tune for best performance and economy. New digital version.

Exhaust-Gas Analyzer 386-220 \$264.95

Workshop Tools | A21 & EQUIPMENT

Parksmart Parking Mat | 04

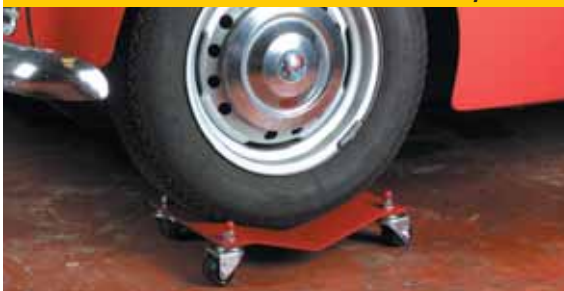


(04) Parksmart Parking Mats

No more denting or scratching your bumper. The flat tongue uses the weight of your car to keep these mats in place. Sold individually.

Parking Mat 200-600 \$17.95

Auto Dolly | 05



(05) Auto Dolly

Wide heavy duty rollers and 6000lb capacity makes maneuvering your car easy.

Set of Four Dollies 900-163 \$149.95



Nitrile Hypoallergenic Gloves

Resistant to many common auto chemicals. Non-latex and hypoallergenic. 100/box.

228-695 \$13.95

*See ordering page for details

(06) SU Tool Kit

An assortment of handy tools for the home mechanic. Suitable for all cars with SU carbs. Includes jet wrench (386-400).

SU Tool Kit 386-300 \$24.95



SU Jet Wrench

Mixture adjustments on SU H and HS carburetors are much easier with the proper tool. 5/16" w (.600" nut) fits original carbs. 17mm (.669" nut) fits new upgraded carbs.

5/16" Wrench 386-400 \$2.75
17mm Wrench 386-401 8.40

(07) "Synchronometer" Carburetor Flow Meter

Easy-to-read flowmeter allows accurate adjustment of multiple carburetor installations. Made in Germany.

375-321 \$48.95

(08) Carburetor Synchronizer

Used to synchronize airflow between multiple carbs, this is an indispensable tool for the serious home mechanic.

386-200 \$32.95



Gunson's Colortune

A glass topped spark plug allowing you to see the color of combustion in your cylinders. Comes with special glass topped spark plug, viewing system for difficult plug locations, tuning procedure complete with troubleshooting guide.

Gunson's Colortune 386-210 \$75.95



Zenith-Stromberg Mixture Tool

An essential tool for tuning adjustable needle Zenith-Stromberg carburetors.

Mixture Tool 386-310 \$9.85



SU Tool Kit | 06



Jet Centering Tool | 09



Synchronometer | 07



Synchronizer | 08



Throttle Shaft Reamer | 10

SU Jet Centering Tool

Jet centering is critical on older fixed needle SU carbs. This simple tool makes it a snap.

(09) Centering Tool 386-500 \$23.95

SU Carburetor Piloted Throttle Shaft Bush Reamer

This special reamer is designed to open up worn 5/16" throttle shaft bushings to accept .010" oversize throttle shafts. For SU carburetors only.

(10) Reamer 386-385 \$139.95



Flashtest

Gunson's Flashtest checks the condition of your car's ignition high-tension circuit, by measuring the strength of the voltage at the spark plugs. This tool can detect voltage problems at the start.

386-875 \$17.95

A22 | Workshop Tools



Insulation Materials

Sound Control Super Insulation

Install on doors, floors or firewall. Dynamat's modified asphalt polymer deadens body panel vibrations. The 5 mil aluminum top layer combines heat resistance with noise deadening. 3' x 4' rolled sheet.

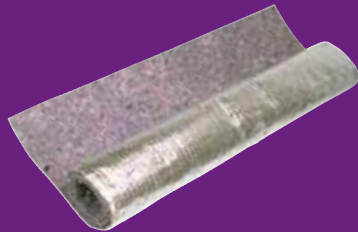
Dynamat Insulation 409-026 \$109.95



Dynamat Hoodliner

Hoodliner absorbs engine noise with .75" thick Sound Soaker urethane foam and prevents hood paint failure. Reflects 97% of radiant heat while providing engine insulation. 3' x 4'.

409-005 \$99.95



Space-Age Heatshield Material

Foil covered felt, heat and sound deadening material installed under carpets, over the transmission tunnel, against the firewall, etc. Insulates against hot and cold, and provides protection against fire. Sold in 48" x 72" sheets, cuts easily.

Heat Shield Material 409-015 \$29.95
Heat Shield Adhesive 409-035 9.95
Aluminum Foil Tape 409-065 6.95

Dynashield Insulation Spray

Use as a thermal shield, undercoat, gravel guard and rust protector. Dries to a paintable black finish. Seals joints and crevices from corrosion caused by water and road salt. 10.5 oz. can covers five square feet. No air shipment.

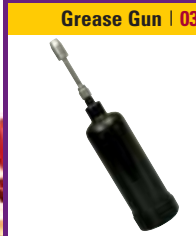
409-125 \$21.95



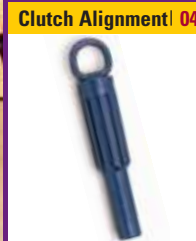
Tilt Lift | 01



Clikadjust | 02



Grease Gun | 03



Clutch Alignment | 04

(02)

Clikadjust

Adjusting tappets is never a pleasant chore. This British tool takes much of the effort out of this necessary job. Turn the handle, click and tighten. Your clearance is set! Replaces the clumsy screwdriver/wrench combination with a single easy to use tool. Requires a 1/2" drive socket to fit tappet adjustment nut.

386-205 \$84.95

(03)

Grease Gun

For all those maintenance tasks.

386-710 \$38.95

(04)

Clutch Alignment Tool

For easy engine/transmission assembly.

387-260 \$4.95



(01)

Oberg Tilt Lift

Allows easy adjustment of an engine's lift angle through a full 90° of movement. Adjust with 1/2" ratchet; 2,000 pound capacity with a 3:1 safety load factor. A positive lock ensures the engine stays put. All steel construction & small size.

386-730 \$75.95



Snap Installation Tool

Install button snaps without damage.

386-980 \$11.95



Steering Wheel Nut Socket

An absolute necessity for removing steering wheel retaining nuts. A worthwhile investment-offered in 1 5/16" and 1 1/2".

384-906 \$17.95



Thread Restorer

Handy for restoring threads on Whitworth, British Standard bolts and studs.

386-600 \$37.95



On-Board Battery Charger

Attaches permanently to battery tray or fender well, mounting hardware included.

- Molded plastic sealed case resistant to water, gasoline, oil, solvents and acids.
- Charges & maintains 12-volt batteries.
- Totally automatic, if the battery drops 1 volt, the charger switches on, when fully charged it switches itself off.
- Every sports car owner who only uses his car part of the year needs one of these. Deep discharge appreciably shortens battery life.
- Operates from any regular 110-volt outlet. Unit remains in car. Dimensions: 5 1/2" x 3 1/2" x 1 1/2"

Battery Charger 386-245 \$55.95

Workshop Tools | A23

Air Powered Bleeder | 05



(05) Professional Air Powered Bleeder

Air powered hydraulic bleeder uses siphon to bleed hydraulic systems. Hook the unit to air source, set air pressure to desired power, open the bleed screw and squeeze the handle.

Air Power Bleeder 386-225 \$159.95



Mityvac

This popular vacuum/pressure pump is perfect for bleeding hydraulic systems. Includes: vacuum/pressure pump, vacuum gauge, 1/4" tubing, automotive and brake bleeding adapter packages, reservoir jar and manual. Detailed instructions and ideas for additional uses.

386-215 \$49.95



Vizibleed Bleeder

Place the hose over a bleeder screw, put the check valve in an empty container, open the bleed screw and pump the pedal until clean, air bubble free fluid flows through the hose.

386-885 \$14.95

Alignment Gauge | 06



(06) Alignment Gauge

When you work on your car's front end, the toe-in should be checked and adjusted. Take a measurement off the back of the front tires, measure again at the front and read the difference off the large scale, adjust your tie rod ends and measure again.

Alignment Gauge 387-085 \$49.95

Eezibleed | 07



(07) Eezibleed Kit

Kit includes a pressure vessel to hold new fluid, a pipe with interchangeable caps to fit most hydraulic master cylinders and an air hose to connect to a tire. Instructions included.

Eezibleed Kit 386-868 \$89.95

Drum Brake Adjusting Wrench

Get a better grip on brake adjusters with our specially designed wrench. It has 1/4" and 5/16" square boxed ends, and a long handle for improved leverage.

386-160 \$9.95

Brake Lube Sachet

Aids in the assembly of natural rubber brake components. Recommended for master cylinder boots or hydraulic expander assemblies where rubber is present. Use one sachet per wheel.

Brake Lube 220-440 \$1.95

Brake Pipe Bending & Hose Clamp Tools

Small tool bends up to 1/4" diameter. Large tool bends up to 3/8" diameter to a minimum radius of 3/4". Clamp tool clamps flexible brake hoses.

Large Pipe Bender 385-895 \$89.95
Small Pipe Bender 385-885 34.65
Clamp Tool 386-855 16.50



Moss Gripper Fender Cover

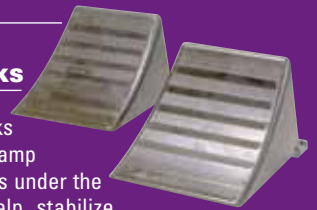
Protective fender cover grips the paintwork and will not slip.

990-991 \$29.95

High-Tech Wheel Chocks

These wheel chocks have ridges on the ramp area and rubber pads under the leading edge to help stabilize tires to garage floor.

Set of two. 900-150 \$17.95



Fender Cover | 08



(08) Fender Cover

Protect your paint job from belt buckles, buttons, dropped parts and dirty hands. Our inexpensive, top-quality fender cover is imprinted with a Jaguar logo. The padded foam rubber backing protects your car's finish.

241-755 \$24.95



A24 | Workshop Tools

WHITWORTH

(01) King Dick Whitworth Box Wrenches

4 Piece Set	384-418	\$99.95
1/8" x 3/16"	384-100	17.95
1/4" x 5/16"	384-200	20.95
3/8" x 7/16"	384-300	32.50
1/2" x 9/16"	384-400	36.75

(02) King Dick Whitworth Open End Wrenches

4 Piece Set (1/8" to 1/2")	383-608	\$74.95
6 Piece Set (1/8" to 3/4")	383-618	174.95
1/8" x 3/16"	383-200	11.50
1/4" x 5/16"	383-300	15.75
3/8" x 7/16"	383-400	19.95
1/2" x 9/16"	383-500	29.35
5/8" x 11/16"	383-600	46.20
3/4" x 7/8"	383-610	60.95

King Dick Whitworth Combination Wrenches

7 Piece Set (1/8" to 1/2")	383-108	\$144.95
11 Piece Set (1/8" to 3/4")	383-208	359.95
1/8" wrench	382-400	13.60
3/16" wrench	382-500	15.75
1/4" wrench	382-600	16.75
5/16" wrench	382-700	18.85
3/8" wrench	382-800	21.95
7/16" wrench	382-900	33.55
1/2" wrench	383-000	41.95
7/16" wrench	383-010	44.95
5/8" wrench	383-020	55.60
11/16" wrench	383-030	71.35
3/4" wrench	383-040	72.45

King Dick BA Tools

Smaller nuts and bolts are no problem for these. Open End Wrench Set, 0 to 10 BA

385-000 \$58.70

1/4" Drive Socket Set, 8 Piece OBA-6BA

381-508 84.95

(03) 3/8" Drive Whitworth Sockets

7 Piece Set (1/8" to 1/2")	381-608	\$94.40
1/8" socket	380-900	16.75
3/16" socket	381-000	16.75
1/4" socket	381-100	16.75
5/16" socket	381-200	16.75
3/8" socket	381-300	16.75
7/16" socket	381-400	18.95
1/2" socket	381-500	18.95

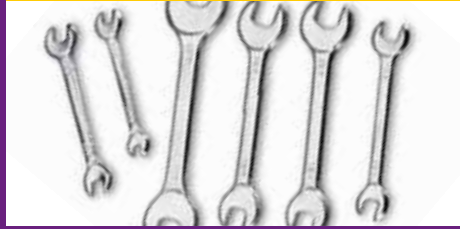
(04) 1/2" Drive Whitworth Sockets

5 Piece Set (1/4" to 1/2")	382-308	\$79.95
9 Piece Set (1/4" to 3/4")	382-318	154.95
1/4" socket	381-800	14.70
5/16" socket	381-900	14.70
3/8" socket	382-000	16.75
7/16" socket	382-100	17.80
1/2" socket	382-200	20.95
9/16" socket	382-210	20.95
5/8" socket	382-220	20.95
3/4" socket	382-240	20.95

Whitworth Box Wrenches | 01



Whitworth Open-End Wrenches | 02



Whitworth 3/8" Drive Sockets | 03



Whitworth 1/2" Drive Sockets | 04



Whitworth Taps & Dies | 05



(05) Whitworth Taps & Dies

We offer a complete selection of British Standard taps and dies.

Tap Wrench	385-700	\$28.95
Tap, 2BA	385-730	13.95
Tap, 1/4" BSF x 26	385-735	14.95
Tap, 5/16" BSF x 22	385-740	16.95
Tap, 3/8" BSF x 20	385-745	20.95
Tap, 7/16" BSF x 18	385-750	41.95
Tap, 1/2" BSF x 16	385-755	30.95
Die, 2BA	385-850	69.95
Die, 1/4" BSF x 26	385-855	43.95
Die, 5/16" BSF x 22	385-860	45.95
Die, 3/8" BSF x 20	385-865	43.95
Die, 7/16" BSF x 18	385-870	91.95
Die, 1/2" BSF x 16	385-875	75.95

Ignition Wrench Set | 06



(06) Ignition Wrench Set

High Quality Ignition Wrench Set by King Dick. Sizes 0 to 10 BA will handle most fasteners less than 1/4" on the car.

Wrench Set 385-000 \$58.70



British Standard Pipe Taps

Most British fuel and oil lines have British Standard Pipe (BSP) fittings. These taps can be used to clean threaded fittings, the 1/8" BSP is useful for oil gauge lines and 1/4" BSP fittings are used on many fuel line applications.

1/8" BSP Tap	385-760	\$22.25
1/4" BSP Tap	385-765	28.90



Roll Around Pneumatic Shop Stool

Improve your mechanical abilities by using the right tool for the job. Don't succumb to the detrimental effects of straining or over-exertion while working on your vehicle. This new Roll-Around Pneumatic Stool will definitely make your job easier, increasing your productivity in the garage. With pneumatic action, the seat quickly adjusts up to 20 inches tall. This stool also features a convenient 15-inch diameter tool tray to keep the tools or parts you need within easy reach. Shielded 2.5-inch casters make moving around the garage a breeze. A big, fully padded 12-inch diameter seat provides comfort for those long projects.

336-735 \$34.95

Workshop Tools | A25

& PIT CREW



Pit Crew Accessories

Pit Crew's 25 years of professional automotive experience drives their commitment to quality, functional and durably designed mechanics gear.

Combo Bag Set - Grey 12" x 4.5" x 5.5", Black 14" x 5.5" x 6". Twin bags perfect for separating and organizing tools, parts and accessories. Small enough to fit behind seats or in trunk. Reinforced bottom panels and strong web carry handles.

7 Pocket Bucket System - Mesh construction allows water to go through and lets unit drip-dry. Large pockets hold most of your cleaning and detailing supplies. Designed to fit up to most standard 3.5 gallon buckets.

10 Pocket Jumper Cable Bag - Holds jumper cables and supplies. Inside and outside pockets for flares, tow rope, gloves and other supplies. Web carrying handles.

12 Pocket Wrench Roll - 12 graduated pocket sizes that fit most open and box end wrench sets. Large brass grommets for easy hanging. Reinforced strap with hook and loop closure keeps roll pouch securely fastened for storage. Keeps your tools close at hand and organized.

Combo Bag Set	101-620	\$12.95
Small Bucket Pockets	101-621	9.95
Jumper Cable Bag	101-622	12.95
Wrench Holder Roll	101-623	11.95

Pit Crew Gloves

All Pit Crew designers and craftsmen build fit, function and durability into every pair of performance mechanics gloves they make. All gloves are tested where it counts - on the road, in the garage and under the hood - ensuring you get the best value for your money.

Engine Crew Glove - Great for the weekend mechanic and DIY'er looking for all around protection. Glove is made of synthetic leather, which is tough yet soft and comfortable to wear. Reinforced thumb panel for better abrasion resistance. Flexible wrist cuff to seal out debris. Lycra Side panels for better fit and improved dexterity. Padded spandex for a formed fit throughout the top.

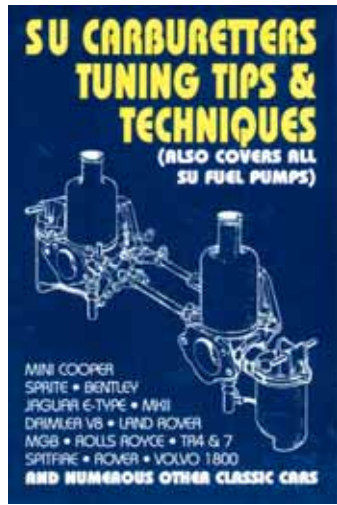
Pit Crew Glove - Has all the outstanding features of the Engine Crew glove but with a few additions and upgrades. A double-stitched palm pad is added for comfort, especially useful when working with heavy or hot objects. The already durable synthetic leather is upgraded to Clarino Synthetic Leather for even longer life even after multiple washings. A TPR (Thermal Plastic Rubber) wing closing wrist strap provides a more positive closure to seal out debris and resists even higher temperatures.

Engine Crew Small	101-610	\$14.95
Engine Crew Medium	101-611	14.95
Engine Crew Large	101-612	14.95
Engine Crew XLarge	101-613	14.95
Pit Crew Small	101-615	21.95
Pit Crew Medium	101-616	21.95
Pit Crew Large	101-617	21.95
Pit Crew XLarge	101-618	21.95



A26 | Books & Manuals

Tuning Tips & Techniques | 01



(01) SU Tuning Tips & Techniques

By G. R. Wade. Factory information to help you solve all standard SU problems.
211-345 \$24.95



Lucas Fault Diagnosis

For professional technicians, easily to understand by the non-professional. Softbound, 8 1/2" x 11", 46 pages. 990-035 \$6.95



DVD: 50 years of British Racing in the US

Rare footage showing the history of British Sports Car racing in the US. Starting with the Collier Cup in New York to the popularity of vintage racing today. Approximate length: 70 minutes. 211-092 \$34.95

Original Jaguar Series | 02



(02) Original Jaguar Series

If you are restoring a Jaguar XK120, 140, 150 or an E-Type, these books are likely to become indispensable to you. Over 150 superb color photographs illustrate even the most intricate details of each of the three XK models. The author, Philip Porter, along with a panel of Jaguar experts, details the specifications of the original bodywork, interior and mechanics of this beautiful series.

Original XK	213-150	\$24.95
Original E-Type	212-045	\$4.95



SU Workshop Manual

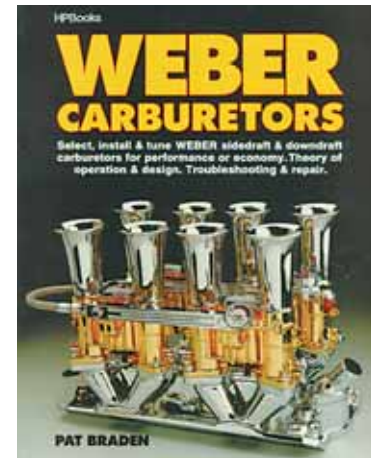
Factory workshop manual for SU carburetors and fuel pumps. 211-305 \$24.95



Jaguars Across America

See how the British view our cars and hobby. Footage of early Jaguar racing at Sebring, Bridgthampton and other major 1950s race circuits. US Television advertising and company promotional films. Coverage of some of the biggest Jaguar car shows. Approximate length: 70 minutes. 211-093 \$29.95

Weber Carburetors | 03



(03) Weber Carburetors

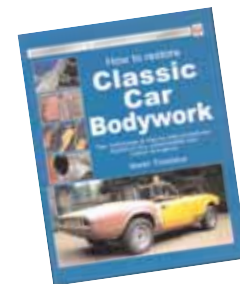
By Pat Braden. How to select and tune Weber sidedraft and downdraft carburetors for performance or economy. Theory of operation & design. Troubleshooting & repair. Soft-bound, 8" x 10", 300 pages. 213-430 \$20.95



NEW

Book: Jaguar XK120, XK140, XK150 Sports Cars

With an introduction by Karl Ludvigsen, this book is a photographic feast for the eyes. Over 120 historical photographs of XKs at play. Racing, Rallying, Specials and Show Cars. Softcover 10" x 8 1/2", 123 pages. 212-180 \$29.95



Book: How to Restore Classic Bodywork

We have been waiting for a comprehensive book that details typical bodywork needed by our classics including door skins, floor and sill replacement and rust repair. This book covers all these restoration techniques and is packed full of photos of denuded MGs and Triumphs being given a new lease on life. Softbound, 8" x 10 1/2", 112 pages. How to Restore Classic Car Bodywork by Martin Thaddeus 212-416 \$34.95

Workshop Manual | 04



SU Carburetors | 05



Haynes Manuals | 06



Service Handbooks | 07



(05) SU Power Tuning Book

Des Hammill demystifies fuel-delivery secrets in this 63-page manual. Its expert tips can make you a master at modifying and tuning SU carburetors. Includes coverage of needle reprofiling for custom applications.

211-465 \$29.95

XK Operating, Maintenance (07) and Service Handbooks

These beautiful reprints of the original owner's manuals have service and operating instructions with photographs and illustrations to clarify the text.

XK-120 Handbook	011-700	\$35.95
XK-140 Handbook	011-701	35.95
XK-150 Handbook	011-702	35.95



Vinyl E-Type Handbook Cover

This screen printed vinyl owners' handbook cover is a reproduction of the protective cover frequently (but not always) supplied with the cars when new.

210-495 \$20.95

Factory Workshop Manual Reprints (04)

Considering the cost and lack of availability of qualified service, why not maintain your own classic? An original factory workshop manual is the best source of mechanical repair and tuning data available. Everything from basic tuning data to torque settings and complete component rebuilding is covered by these comprehensive manuals.

XK 120-150	011-753	\$166.95
E-type Series I/II	212-055	118.95
E-type V12	212-060	109.95
XJ6 Series I	212-065	89.95
XJ6 Series II	212-070	99.95
XJ6/XJ12 Series III	212-080	98.95



Haynes Workshop (06) Manuals

Haynes manuals are indispensable guides for any work on your car. Wonderful supplements to the

factory manuals, the Haynes manuals include many detailed photographs and comments not found in the factory books.

Workshop Manuals

XJ12 & XJS 1972-85	49015	\$21.95
XJ6 1968-86	49010	22.95
Carburetor Manual	211-430	20.95



Jaguar "E" Bentley Manual

Robert Bentley manuals contain reprints of the

factory workshop manual, plus the owner's manual. The most complete and authoritative manual available for your car.

Official E Series I & II 212-640 \$59.95

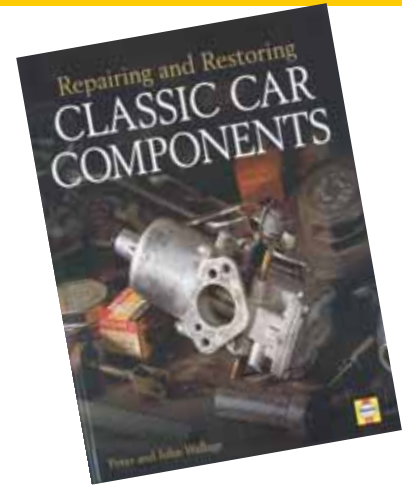


Bosch Automotive Handbook

Packed full of facts and figures in a compact format. Guaranteed to improve your automotive IQ with general coverage of all areas of engine and vehicle operation. Fifth Edition, 962 pages, softbound.

212-155 \$69.95

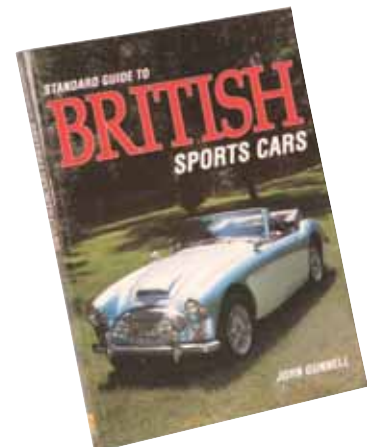
Component Restoration | 08



(08) Component Restoration

Fuel Pump on the blink? Generator not generating? This book covers in-depth rebuilding of typical components. All the major electrical items, fuel components, heaters and instruments.

215-875 \$29.95



Guide to British Sports Cars

Have you ever wondered what a Jowett Jupiter looked like? Improve your knowledge of the British Sports Cars that were exported to the US. Find out the difference between a Morgan +4 and 4/4. 224 pages, very well illustrated.

213-815 \$24.95



SU Carb Rebuild Video

Tune or rebuild SU carbs with this easy-to-follow 2 hour 40 minute video. VHS format.

211-035 \$39.95

A28 Jaguar Accessories & FUN STUFF

Embroidered Hat | 01



Embroidered Hats | 02



Muffler | 03



(01) Embroidered Hat

Beige/navy hats with your Jaguar logo embroidered in contrasting thread.
219-838 \$21.95



"Gambler" Straw Hat

Woven hats with embroidered logo band. Soft, cushion-stretch headband allows for a comfortable fit.
218-748 \$29.95



Logo Earrings

Brightly enameled miniature marque logos.
219-740 \$12.95

(02) Embroidered Hats

These high-quality hats feature an embroidered car and a "half-Jacked" British flag. Road testing revealed that the hat's deep design allows it to stay on at high speed. The adjustable back is decorated with the British Flag and Moss logo.
Jag XK Embroidered Hat 219-932 \$15.95



Laser Parking System

When we first saw this, the immediate thought was that someone should make a similar system to prevent SUV drivers from backing into our cars in parking lots. We are still working on that, but this system is handy to save your nicely chromed bumper and overriders from impacting Junior's bicycle. Laser delivery system mounts overhead and automatically activates when you enter your garage. Powered by 110 volts, unit weighs less than 1 lb. and mounts with supplied hook & loop tape or screws.

Laser Park 002-840 \$29.95

Pendleton Motor Robes

Keep warm this winter with our big 52" x 70" Pendleton Mills 100% virgin wool blankets. Woven in a traditional Scottish plaid, they will keep you free from drafts and provide a touch of comfort at roadside picnics.

Red Lap Robe	231-400	\$82.95
Green Lap Robe	231-410	82.95
(03) Green Muffler	237-411	32.95



Heated Blanket | 04



(04) Heated Blanket

Keep your knees toasty with this 12V heated blanket. 42" x 58". Requires negative ground lighter socket.

Electrically Heated Blanket 002-842 \$34.95

Waterproof Blanket | 05



(05) Waterproof Picnic Blanket

A heavy fabric-backed vinyl outer shell with built-in carrying handles and snap closures so your blanket stays folded for easy storage. Inside, a wool picnic blanket which is removable for cleaning. Opens to 5' x 7'-1/2". For portable cover, our wood handled MG "brolly" has room for two underneath.

Blanket 231-445 \$179.95

Embroidered Patches | 06



(06) Embroidered Patches

Add a splash of color to jackets, sweaters, caps, or anything else you can think of.

Jaguar Patch	011-461	\$4.95
Union Jack Patch	229-510	6.95



iPod FM Transmitter

- Built-in FM Transmitter
- Input button for Channel Select
- LCD display
- 30-pin iPod Docking port with Charging Capability
- Diode protects your iPod against backflow current from vehicle
- Replaceable fuse protects your iPod from excessive electrical loads
- Work with iPod 3G, 4G, iPod Photo and iPod Mini
- Mini Audio Jack Input for Portable Unit other than iPod
- Full Spectrum FM Transmission Frequencies (200 kHz step) 80.1MHz~107.9MHz
- NO installation required.

055-890 \$39.95



A30 | Jaguar Regalia & FUN STUFF



Vintage Lucas Poster

Reproduction of a circa 1930 Lucas advertising poster. Lithographed in full color on heavy poster stock. 16" x 23 1/2".

214-205 \$14.95



Union Jack Flag

Made of light-weight polyester with metal grommets on the hoist. 217-070 \$16.95



British Flag Sticker and Decal Set

This kit includes 3 sets of 3 British Flag designs giving you a choice of installation and effect. One set is a decal that is applied with water, another has self-adhesive backing, and the third is perforated and is a water applied window film.

230-105 \$14.95

Bar Stool | 02



(02) Marque Logo Bar Stool

30" high, with padded 14" diameter seats covered with easy to clean vinyl. Chrome plated legs.

Jaguar Logo Bar Stool 231-815 \$76.95



Cloisnone Leather Fobs

Union Jack	229-885	\$9.95
Jaguar (Brown)	915-351	7.95
Jaguar (Black)	915-350	7.95



XK120-140-150 Shift Knobs

Genuine walnut and black vinyl covered knobs with a cloisonné medallion.

Walnut Crested	011-581	\$24.95
Plain Walnut	011-580	24.95
Vinyl Crested	011-583	24.95

Jaguar Wine Glasses | 03



(03) Jaguar Wine Glass Set

Set of Four Glasses. 230-848 \$24.95



Jaguar Beer Glasses

Colorful logo glasses to toast your favorite marque. Set of 4.

230-934 \$19.95



Jaguar Parking Sign

9" x 12" Aluminum. 215-790 \$23.95



Metal Wall Plaque

Reproduced color, embossed advertisement. Metal with rolled edges.

Jaguar E-Type 214-275 \$18.95

Flying Helmet & Goggles | 04

Hoodie Sweatshirt | 05

Embroidered Pullover | 06



Classic Flying Helmet & Goggles

(04)

Reproduction of the helmets and flying goggles worn by WWII pilots of the Royal Air Force.

RAF Goggles	219-945	\$109.95
RAF Helmet, Medium	219-980	149.95
RAF Helmet, Large	219-990	149.95
RAF Helmet, X-large	219-995	149.95



Classic Driving Gloves

Your Choice	\$59.95	\$34.95
	Black Leather	String-Back
Small	228-700	228-800
Medium	228-710	228-810
Large	228-720	228-820
X-Large	228-750	228-830



Trunk Tote

Organizes your tools and other supplies. Made of heavy vinyl, with velcro covered wrench section and zipper pouch compartment for larger items. Size: 15" x 15". 647-105 \$17.95



(05) Hoodie Sweatshirts with Logo

100% Preshrunk Heavy Weight Cotton will keep your ears warm during cold snaps with the top down.

Medium	013-475	\$54.95
Large	013-476	54.95
X-Large	013-477	54.95
XX-Large	013-478	54.95

(06) Embroidered Pullovers

Night out with the top down, these poly fleece pullovers will keep you warm under the stars.

With Jaguar logo.		\$58.95
Medium	Large	X-Large
013-360	013-361	013-362
		XX-Large
		013-363



New Barbarian Rugby Shirts

The Genuine article: 12-ounce 100% pre-shrunk cotton, reinforcing patches, rubber buttons, overlocking heavy-duty seams.

Rugby Shirt Medium	013-505	\$78.95
Rugby Shirt Large	013-506	78.95
Rugby Shirt X-Large	013-507	78.95
Rugby Shirt XX-Large	013-508	78.95



New Golf Shirts

100% pre-shrunk cotton golf jersey. Solid Oxford Grey body with contrasting tri-color checker collar and cuffs.

Golf Shirt Medium	013-525	\$38.95
Golf Shirt Large	013-526	38.95
Golf Shirt X-Large	013-527	38.95
Golf Shirt XX-Large	013-528	38.95

A32 | Regalia

FUN STUFF

Cheese & Wine Set | 01



Traditional Wicker Picnic Baskets

Traditional English Wicker Baskets are made from hand woven willow and have a five-year workmanship warranty from the manufacturer. The workmanship, leather fittings, high-quality ceramic, porcelain and crystal set these baskets apart from bargain store brands. Picnic Basket Set includes: Ceramic plates, Matching mugs, Toughened glasses in willow tray, Thermos flasks, Cutlery, Waiter's friend, Coordinated 100% cotton napkins. The Cheese and Wine Picnic set includes: Ceramic plates, Crystal glasses, Cutlery, Cheese board, Cotton napkins and a Wine cooler.

(01) Cheese & Wine Set

2 Person	231-760	\$324.95
4 Person	231-765	519.95

Grasmere Pattern (below)

2 Person	231-751	\$209.95
4 Person	231-756	289.95



T-Shirt | 02



Embroidered T-Shirts

100% Cotton short sleeve allows comfortable fit and long-lasting durability. Embroidered with a Jaguar & diagonal portion of British flag on the front left and Moss Block below collar on back. Your Choice \$20.95

(02) Medium	013-315	X-Large	013-317
Large	013-316	XX-Large	013-318



British Marque T-Shirts

Let them know where your loyalties lie. Union Jack made up of British Motor Car Marques. 100% pre-shrunk cotton. Your Choice \$18.95

Medium	013-430	X-Large	013-432
Large	013-431	XX-Large	013-433



*See ordering page for details



Current Catalog Editions

- **Austin-Healey 100, 100-6 & 3000**
www.mossmotors.com
- **Austin-Healey Sprite & MG Midget**
www.mossmotors.com
- **Jaguar XK120-140-150, XJ6-12, XJS, E-Type**
www.mossmotors.com
- **MG TC-TD-TF**
www.mossmotors.com
- **MGA**
www.mossmotors.com
- **MGB**
www.mossmotors.com
- **Triumph Spitfire MkIV -1500 & TR7**
www.mossmotors.com
- **Triumph TR2-TR3-TR4-TR4A**
www.mossmotors.com
- **Triumph TR250-TR6**
www.mossmotors.com
- **Mazda Miata**
www.miatamania.com
- **Chrysler PT Cruiser**
www.cruiserbits.com
- **BMW Mini**
www.mossmini.com
- **04-06 Ford F150**
www.F150store.com
- **Hummer H2**
www.mossh2.com
- **05-06 Ford Mustang NEW**
www.mossmustang.com

How To Order | A33

SHIPPING RATES & PROCEDURES

PAYMENT

VISA, Mastercard, Discover, American Express, certified checks, money order or personal checks (which may be held until cleared). \$10.00 minimum order. If paying by charge card we will require charge card number, expiration date, complete billing address and the CVV2 code on back of card.

PRICES

All prices are subject to change without prior notice. Moss Motors reserves the right to correct any typographical errors.



SHIPPING

- Orders received by 3 p.m. local time are normally shipped the same day.
- We will ship by ground unless Air Delivery is specified.
- Alaska, Hawaii, Puerto Rico must use 2nd Day or Next Day Delivery only - add \$6 to chart. (Delivery times not guaranteed.)
- Oversize Shipments – Shipments under \$1,200 and over 130” length plus girth will be charged actual freight.
- Each shipment will reflect the appropriate shipping charges, including handling and insurance, listed on the chart below, dependent upon the parts value in each shipment.
- When ordering Direct Ship items and items that are stocked in our warehouse on the same order, only the total value of the stocked items in our warehouse is used to calculate your shipping charges from the chart. Direct Ship items will be invoiced to you separately at the Actual shipping charges from our Vendors.
- Orders shipped to California or New Jersey will be charged state sales tax.

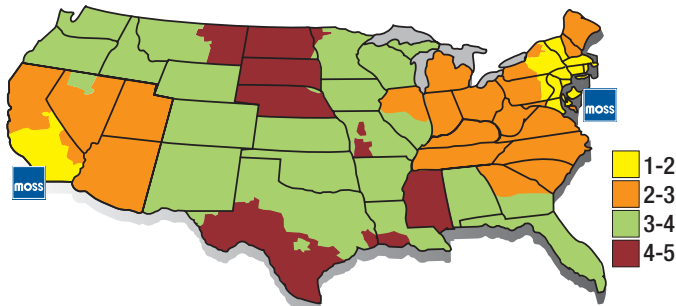
FOREIGN ORDERS (Includes Canada)

Foreign orders are charged actual shipping charges. Shipping quotes provided on request. All duties and taxes are the responsibility of the customer. Foreign orders must be paid with a credit card or check in US funds. There is a \$10 charge to cover shipping and handling costs for catalogs shipped outside of the U.S. and Canada. One catalog per request.

PARCEL DELIVERY SERVICE

Follow these simple steps to figure your exact total...

1. Determine parts total and choose Ground or Air Service.
2. Figure your ground shipping and handling charges based on your parts total and area using the map and chart below.
3. CA and NJ residents add sales tax. You now have your combined order total.



Areas / Approximate Delivery Time (In Days)

- This map represents approximate working days for Ground Delivery. (As quoted by our carriers, not guaranteed.)
- It also assumes that we can ship from the nearest warehouse. Items shipped from the alternate warehouse will take longer.

Shipping, Insurance & Handling Chart
US Rates - 48 States (AK*, HI* & PR*)

Order Total	Ground	2nd Day Air	Next Day Air Saver	Next Day Air
\$10.00 to 20.00	\$7.15	\$13.65	\$23.75	\$31.75
20.01 to 50.00	10.35	17.65	28.30	38.80
50.01 to 75.00	12.95	20.40	32.65	45.50
75.01 to 100.00	15.45	26.95	40.80	54.95
100.01 to 150.00	17.70	31.20	47.50	62.30
150.01 to 200.00	19.95	38.10	54.35	69.20
200.01 to 300.00	22.95	41.95	60.95	78.95
300.01 to 400.00	25.95	49.65	66.45	87.25
400.01 to 600.00	29.55	52.90	71.90	93.95
600.01 to 1200.00	Free UPS (1)	40.80	59.80	80.25
1200.01 and up	Free Truck (2)	48.95	65.25	87.95

*Alaska, Hawaii and Puerto Rico must use 2nd Day or Next Day Delivery service - add \$6 to the rates above.

- 1 - Free Ground UPS Shipping in the contiguous 48 states. Oversize packages greater than 130” length plus girth and truck items will be charged actual freight charges.
- 2 - Free Ground UPS/Truck Shipping in the contiguous 48 states.

SHIPPING continued

GUARANTEED AIR DELIVERY SERVICE (48 States)

- Guaranteed Next Day Air, Next Day Air Saver and 2nd Day Deliveries available.
- Next Day Air & Next Day Saver orders must be pre-paid by VISA, AMEX, MasterCard, or Discover.
- Moss guarantees that orders received before 3 p.m. your local time will arrive on time (barring weather problems, or “Acts of God”), or shipping and handling charges will be refunded.
- 2nd Day Air is guaranteed to be delivered by end of day the second business day after shipment. Next Day Air Saver is guaranteed to be delivered by end of day the day after shipment. Next Day Air is guaranteed to be delivered by 10:30 a.m., noon or end of day the day after shipment, depending on destination.
- Rates apply to orders with a real (or dimensional) weight of 50 pounds or less. If over this amount we will contact you with your shipping options.
- Saturday Delivery: Next Day Air orders placed on Friday for Saturday delivery will be charged an additional \$12.50. Saturday delivery does not apply to Next Day Air Saver and is not available in all areas.
- A.P.O., F.P.O. and P.O. Box orders are not guaranteed and will be shipped Parcel Post.

WHEN YOUR ORDER ARRIVES

- Delivery of merchandise in good condition is the responsibility of the carrier. Should your order arrive in damaged condition, immediately inform a Moss Motors’ customer service representative at 1-800-689-9313.
- You must make claims for damage during shipping to Moss Motors within 3 days.
- Keep original box and packing material.
- If your order was shipped truck freight, note damage on the bill of lading when signing the delivery receipt.
- If there is any other question about your order, contact customer service within 10 days.

BACKORDERS

- Backordered items will be shipped and invoiced when available.
- Backorders are shipped free but carry a handling charge of \$1 per \$50 of value.
- You may request “No Backorders” or cancel backorders at any time prior to shipping.
- Canadian backorders will be charged based on actual freight. Canada is the only foreign country we backorder to.

WARRANTY

- 24 Month Warranty On all Classic British Parts. Longest Warranty in the Business.
- All Classic British products including superchargers, supercharger components and hardware are warranted to be free from defects in material and workmanship for 24 months from date of invoice.
- Moss Motors, Ltd. will, at its discretion, repair or replace any part that fails in service within the warranty period. This warranty does not cover labor, failure of related components, normal wear of brake or clutch components or failure resulting from alteration, misuse, accidental damage, faulty installation or faulty repair.
- Warranty requests should be submitted to our sales department and must be supported by the original Moss Motors purchase invoice and documentation of the failure.

RETURNS

- You may return new and uninstalled products in resalable condition for a full refund excluding shipping and handling charges for up to 6 months from date of invoice.
- Returns over 6 months, but less than 12 months will be charged a 10% restocking fee to cover our processing costs, in-house credit will be given on account usable on future orders. We reserve the right to charge up to 20% when no invoice is supplied and/or there is substantial work involved to process your return back to stock.
- Please remember to always inspect the parts upon receipt of your order to avoid any difficulties later on.
- To return a part follow the instructions printed on the back of the invoice.
- Make sure to package the products carefully to avoid damage during return and include all original packaging and a copy of the invoice. Ship to our California address.
- Refunds will not be issued for installed, damaged, incomplete, “Custom” or “Special Order” items.
- If a return is due to our error, we will reimburse reasonable freight charges. We will not reimburse additional charges for shipping/packaging services. Electrical items that have been installed are not returnable.

CATALOG ERRORS

- Every effort has been made to provide accurate information in this publication. We will not be held liable for inaccuracy of pricing, description or application.

Free Ground UPS shipping in the contiguous 48 states. Oversize packages greater than 130” length plus girth, direct ship items and truck items will be charged actual freight charges.

Orders must be placed by 3pm and is guaranteed to USA and Canadian customers. Parts must be from our inventory, offer does not apply to Factory Direct, Special Order and some oversized items that take special packing.

800-667-7872 • Phone Orders
Monday-Friday 6:00am to 7:00pm PST • Saturday-Sunday 7:00am to 4:00pm PST

805-692-2525 • Fax Orders

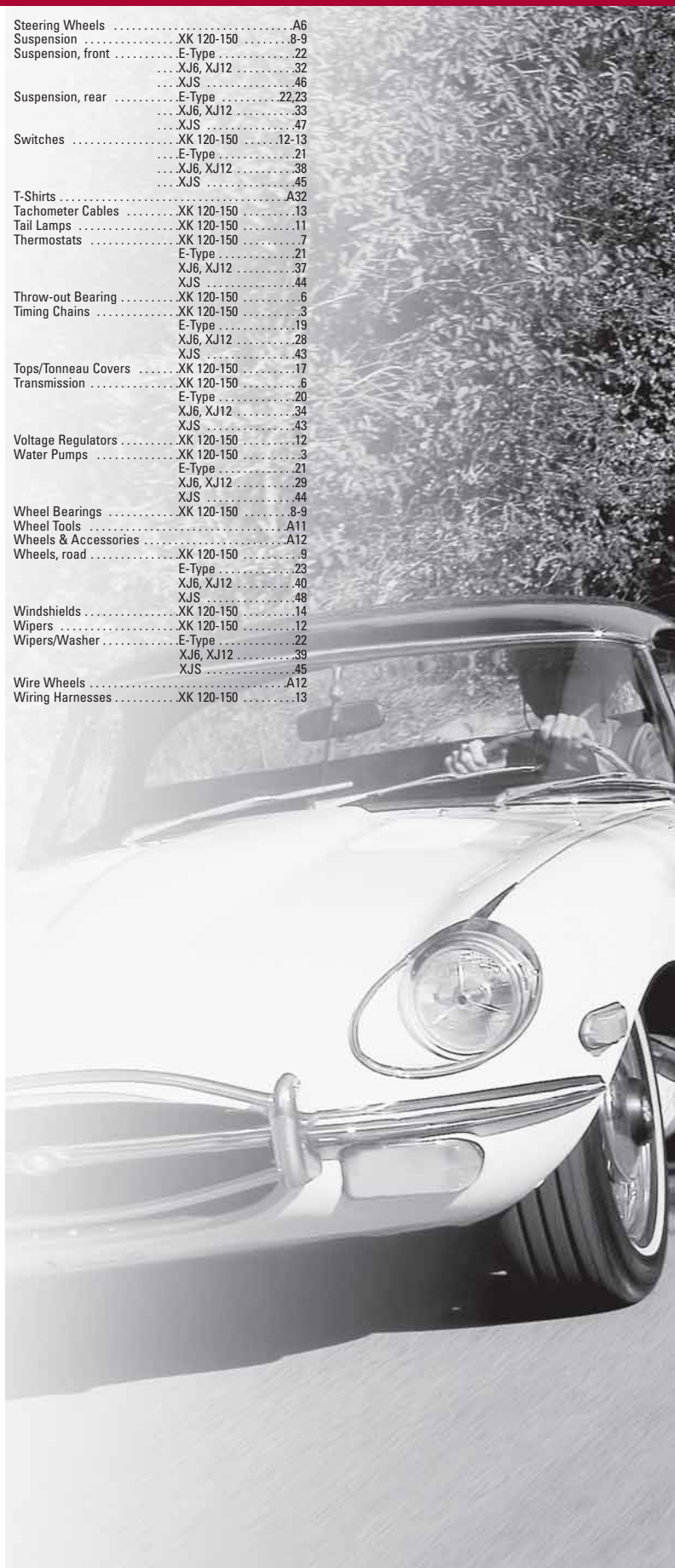
805-681-3411 • Technical Support

800-689-9313 • Customer Service
Monday-Friday 7:00am to 5:00pm PST

805-681-3400 • Overseas

A34 | Contents

Accessories	49-54, 2-24	Fog Lamps	XK 120-150	11,49	Steering Wheels	A6			
Air Cleaners	XK 120-150	5	Fog Lamps	A10	Suspension	XK 120-150	8-9		
Air Conditioning	XJ6, XJ12	37	Fuel Pump	XK 120-150	12,49	Suspension, front	E-Type	22	
XJS		44	Fuel Pumps	A15	XJ6, XJ12		32		
Air Filters	A14	Fuel System	E-Type	20	XJS		46		
Air Horn Kit	E-Type	A8	XJ6, XJ12	36	Suspension, rear	E-Type	22,23		
Alternators	XJ6, XJ12	21	XJS	43	XJ6, XJ12		33		
XJ6, XJ12		38	Gas Cap Seals	XK 120-150	7	XJS		47	
XJS		44	Gas Tanks	XK 120-150	7	Switches	XK 120-150	12-13	
Antenna, radio	XJ6, XJ12	38, A9	Gaskets, engine	XK 120-150	3-4	E-Type		21	
XJS		45, A9	E-Type		18	XJ6, XJ12		38	
Apparel	A31-32	XJ6, XJ12	26-27	XJS	42	XJS		45	
Automatic Transmission	XJ6, XJ12	34	XJS	42	T-Shirts	A32			
XJS		43	Gearshift Knobs	XK 120-150	6,54	Tachometer Cables	XK 120-150	13	
Badge Bar, Badges	A8	Generator	XK 120-150	12	Tail Lamps	XK 120-150	11		
Batteries & Electrical	A14-15	Gifts	A28-32	Thermostats	XK 120-150	7			
Bearings, Engine	XK 120-150	2,4	Grille	XK 120-150	14	E-Type		21	
E-Type		19	XJ6, XJ12		41	XJ6, XJ12		37	
XJ6, XJ12		26-27	XJS		48	XJS		44	
XJS		42	Grommets	XK 120-150	16	Throw-out Bearing	XK 120-150	6	
Belts	XK 120-150	3	Grose-Jets	XK 120-150	5	Timing Chains	XK 120-150	3	
E-Type		21	Handbrake Cables	XK 120-150	10	E-Type		19	
XJ6, XJ12		37	Hats	E-Type	A28	XJ6, XJ12		28	
XJS		44	Headlamps	XK 120-150	11	XJS		43	
Body Fittings	XK 120-150	14-16	Headlamps & Covers	A10	Tops/Tonneau Covers	XK 120-150	17		
E-Type		23-24	Heater	E-Type	21	Transmission	XK 120-150	6	
XJ6, XJ12		40-41	E-Type		30-31	E-Type		20	
XJS		48	XJ6, XJ12		30-31	XJ6, XJ12		34	
Bonnet Straps	A8	Hood Straps	A8	XJS		43	XJS		43
Books, Manuals, Videos	A26-27	Horns	XK 120-150	12	Voltage Regulators	XK 120-150	12		
Brake Tools	A23	Hoses	E-Type	21	Water Pumps	XK 120-150	3		
Brakes	XK 120-150	10	E-Type		21	E-Type		21	
E-Type		22-23	XJ6, XJ12		29-31	XJ6, XJ12		29	
XJ6, XJ12		39-40	XJS		44	XJS		44	
XJS		45,48	Hoses, Hydraulic	XK 120-150	6,10	Wheel Bearings	XK 120-150	8-9	
Bumpers	XK 120-150	14	Hoses, Radiator	XK 120-150	7	Wheel Tools	A11		
E-Type		23	Hubcaps	XK 120-150	9,14	Wheels & Accessories	A12		
XJ6, XJ12		40	I.D. Plates	XK 120-150	15	Wheels, road	XK 120-150	9	
XJS		48	Ignition	XK 120-150	12	E-Type		23	
Cables, speedo	XK 120-150	13	E-Type		22	XJ6, XJ12		40	
E-Type		22	XJ6, XJ12		39	XJS		48	
XJ6, XJ12		39	XJS		45	Windshields	XK 120-150	14	
XJS		45	Ignition	E-Type	A14-15	Wipers	XK 120-150	12	
Car Capsule	A9	Knockoff Hammers	A11	Knockoffs	A12	Wipers/Washer	E-Type	22	
Car Care & Supplies	A17-19	Lamps	XK 120-150	11, A10	E-Type		39		
Car Covers	A9	E-Type		23,24, A10	XJ6, XJ12		45		
Carburetor Synchronizer	A21	XJ6, XJ12		41-42, A10	XJS		45		
Carburetors	XK 120-150	5	XJS		48, A10	Wire Wheels	A12		
E-Type		20	Lexol Leather Products	A19	Wiring Harnesses	XK 120-150	13		
XJ6, XJ12		36	License Plate Frames	A9					
Charging System	XK 120-150	12	License Plate Mounts	XK 120-150	14				
Chassis Numbers	E-Type	24	Manuals, Books, Videos	A2					
XJ6, XJ12		25	Medallions	XK 120-150	14				
XJS		48	Mirrors	XK 120-150	14				
Chrome Trim	XK 120-150	14,15	E-Type		24				
Clutch	XK 120-150	6	XJ6, XJ12		42				
Connolly Leather Products	A19	Mirrors	E-Type	A8					
Convertible Tops	XK 120-150	17	Mounts, engine/gearbox	XK 120-150	2				
E-Type		23	E-Type		19				
Cooling System	XK 120-150	7	XJ6, XJ12		34				
E-Type		21	XJS		43				
XJ6, XJ12		29,31,37	Mufflers	XK 120-150	7,49				
XJS		44	Oil Filters	XK 120-150	2,3				
Cup Holder	A7	Oil Pump	XK 120-150	3					
Cylinder Head	XK 120-150	4	Oil System	E-Type	19				
E-Type		19	E-Type		28,34				
XJ6, XJ12		27	XJ6, XJ12		43				
XJS		42,43	Paint	A19					
Decals	XK 120-150	15	Patches	A29					
Differential	XK 120-150	9	Picnic Baskets	A32					
E-Type		20	Pistons, engine	XK 120-150	2				
XJ6, XJ12		35	E-Type		18				
XJS		43	XJ6, XJ12		26				
Distributor	XK 120-150	12,49	XJS		42				
Distributor	A14	Posters	A30						
Door Fittings	XK 120-150	15	Pullovers	A31					
Drive Shaft/U-joints	XK 120-150	9	Rear Axle/Suspension	XK 120-150	9				
E-Type		22	Relays	XK 120-150	12				
XJS		45	E-Type		21				
XJ6, XJ12		39	XJ6, XJ12		38				
Driving Gloves	A31	XJS	45	Road Wheels	XK 120-150	9			
Driving Lamps	A10	Rubber	XK 120-150	16					
Electric Fan Kits	A16	E-Type		24					
Electrical	XK 120-150	11-13	Rubber	XJ6, XJ12	40				
Electronic Ignition	A14-15	Emblems	XJ6, XJ12	40					
Emblems	XJ6, XJ12	48	XJS		48				
Emission Controls	E-Type	21	Rugby Shirts	A31					
XJ6, XJ12		38	Seatbelts	A7					
XJS		44	Sending Units, Fuel	XK 120-150	7				
Engine	XK 120-150	2-4	Shift Knobs	XK 120-150	54				
E-Type		18-19	Shirts	A31-32					
XJ6		26-28	Shock Absorbers	XK 120-150	8				
XJ12		34	Shop, Tools & Equipment	A20-25					
XJS		42,43	Signs	A30					
Exhaust	XK 120-150	7,49, A14	Spark Plugs	XK 120-150	12				
E-Type		20	Speedometer Cables	XK 120-150	13				
XJ6, XJ12		35-36	Springs, Suspension	XK 120-150	9				
XJS		43	Stainless Steel Exhaust	XK 120-150	7,49, A14				
Fender Cover	XK 120-150	54	Starters	XK 120-150	12				
Filters	E-Type	18	E-Type		21				
XJ6, XJ12		34	XJ6, XJ12		38				
XJS		42	XJS		44				
Fire Extinguishers	A20	Steering	XK 120-150	8					
Flashers	E-Type	22	E-Type		21				
Flashers	XJS	45	XJ6, XJ12		37-38				
Floor Mats	E-Type	A7	XJS		44				



Jaguar Restoration Parts Catalog

Contents

XK 120, 140, 150

Engine	2-4
Carburetors	5
Clutch/Gearbox	6
Radiator, Gas Tank, Exhaust	7
Suspension/Steering	8-9
Brakes	10
Electrical	11-13
Body Fittings	14-16
Tops/Tonneau Covers	17



E-Type

Filters, Gaskets, Engine	18-19
Gearbox/Transmission	19-20
Exhaust	20
Fuel system/Carburetors	20
Cooling System	21
Steering	21
Electrical	21-22
Suspension	22
Brakes	22-23
Road Wheels	23
Lamps	23
Body Fittings	23-24



XJ6-XJ12

Engine, XJ6	26-28
Engine, XJ12	34
Cooling System, XJ6	29
XJ12	31
Heater, XJ6	30
XJ12	31
Suspension	32-33
Transmission	34-35
Differential	35
Exhaust	35-36
Fuel System	36
Belts	37
Air Conditioning	37
Steering	37
Emission Controls	37
Electrical	38-39
Brakes	39-40
Road Wheels	40
Body Fittings	40-41
Lamps	41



XJS

Engine	42-43
Transmission, Differential	43
Exhaust	43
Fuel System	43
Cooling System	44
Air Conditioning	44
Steering	44
Electrical	44-45
Brakes	45, 48
Suspension	46-47
Body Fittings/Lamps	48



OTS = Open Two Seater = roadster

FHC = Fixed Head Coupe

DHC = Drop Head Coupe = convertible

Note: -AM suffix on part number indicates "aftermarket" source.

About This Catalog

This catalog covers parts for USA-specification left hand drive cars. In producing this catalog, our primary goal was to publish a listing of Jaguar parts which was as accurate and informative as possible for the USA market. In doing this, we have made every effort to correctly identify and include every part we stock likely to be needed to repair, restore or maintain your car. Although some of the parts listed are not currently available, our Product Development staff is constantly seeking new suppliers and manufacturers of quality reproductions of otherwise obsolete items. The current Moss Motors website (www.mossmotors.com) pricing is always the best indication of availability.

Local laws and regulations relating to pollution, safety and lighting equipment vary considerably from state to state and country to country. Since we distribute parts for these cars on a worldwide basis, we are not in a position to advise what laws are in effect in each locality. We strongly encourage anyone contemplating any modifications to a vehicle intended for street use, to check local regulations before proceeding. We strongly suggest that you save all old stock equipment should reinstallation be necessary at a future date.

NOTE: In the body of this catalog, items with indented descriptions are components of the non-indented kit or assembly above them.

Supersession and Rationalization of Parts

Most owners of British cars have, at one time or another, ordered an original "factory" part from an authorized dealer, only to find that the part received was different from the original, although it did work. This is the result of the supersession or rationalization of parts by the factory. Supersessions occur when a part is modified, and the original design or pattern is no longer produced. If old and new parts are interchangeable, even though they may appear slightly different, the old part is superseded by the new part. Rationalization is an attempt by the factory at efficiency in which one new part replaces several original parts, after which the original parts are no longer available.

WARNING!

Working on automobiles is inherently dangerous. Moss Motors, Ltd. is not liable for injury or damage due to incorrect installation or use of their products. All products are sold with the understanding that the safe and proper installation and use of the products is the customer's responsibility. Follow factory workshop manual procedures and instructions, but use current shop safety standards and common sense. Some tasks will require professional advice or services which Moss Motors cannot provide.



Jaguar Parts Catalog

© Copyright Moss Motors, Ltd. October, 1986

Edition JAG-0608 August, 2006

Printed in the USA

All rights reserved. No part of this publication may be reproduced, stored in a retrieval system, or transmitted in any form or by any means, electronic, photocopying, recording, or otherwise without the prior written permission of Moss Motors, Ltd.

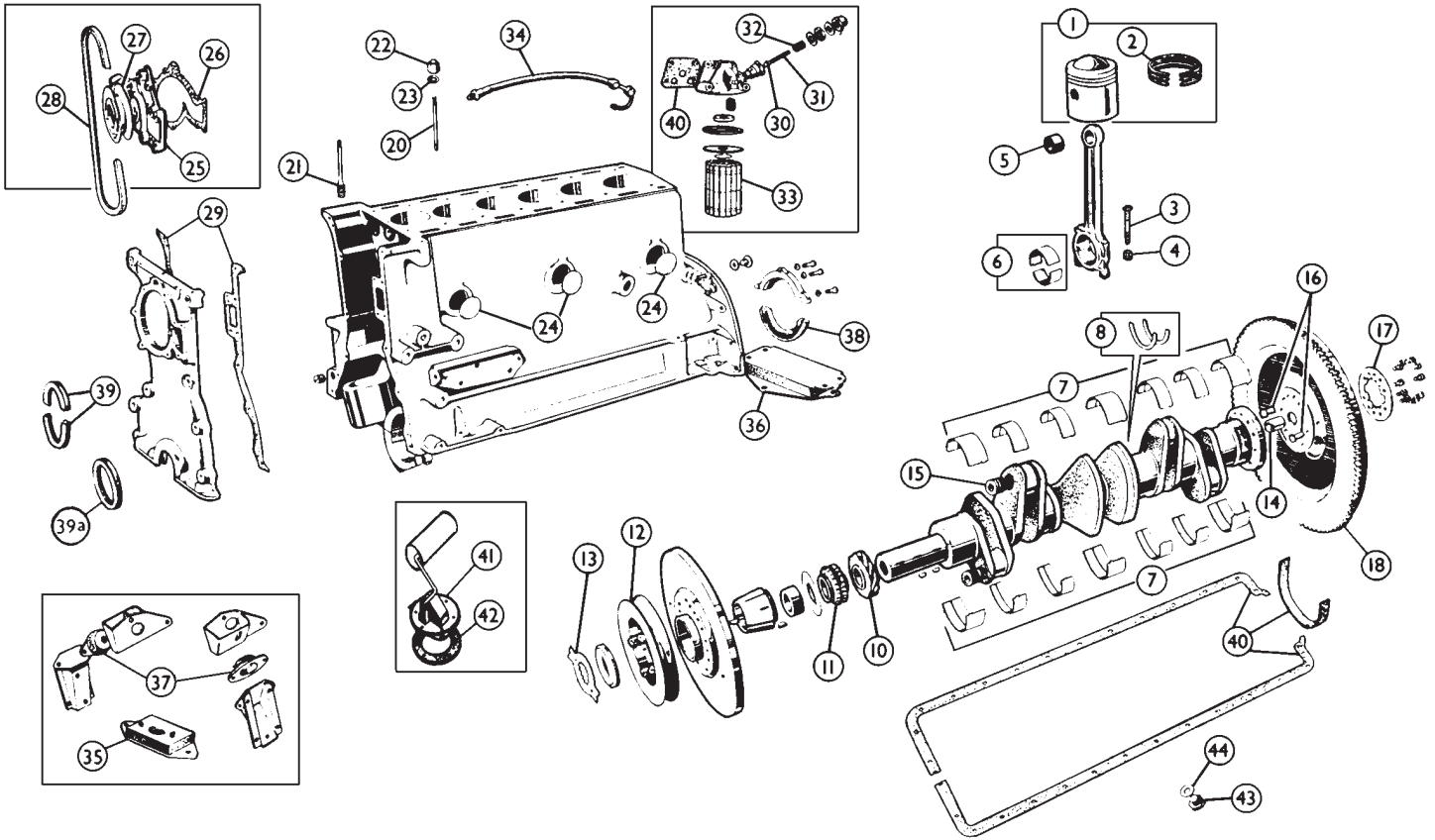
LOCAL & OVERSEAS: 805-681-3400

FAX: 805-692-2525

www.mossmotors.com

MOSS

XK Engine: Bottom End



No.	Part No.	Price (each)	Description	Application	Qty. Req.
1	011-111	\$134.95	PISTON, standard	} all 3.4 engines 8:1 compression	6
	011-112	\$134.95	PISTON, .020"		6
	011-113	\$134.95	PISTON, .030"		6
	011-114	\$134.95	PISTON, .040"		6
	011-115	NA	PISTON, .060"		6
	011-118	\$123.95	PISTON, standard	} all 3.8 engines, 8:1 compression	6
	011-119	\$123.95	PISTON, .020"		6
	011-120	NA	PISTON, .030"		6
	011-121	NA	PISTON, .040"		6
	011-106	NA	PISTON, standard	} all 3.8 engines, 9:1 compression	6
	011-107	NA	PISTON, .020"		6
	011-108	\$124.95	PISTON, .030"		6
	011-109	NA	PISTON, .040"		6
	011-110	NA	PISTON, .060"		6
	2	011-122	NA	RING SET, standard	} 3.4 engines 4-ring pistons
011-123		NA	RING SET, .020"	1	
011-124		NA	RING SET, .030"	1	
011-125		NA	RING SET, .040"	1	
011-126		NA	RING SET, .060"	1	
011-127		\$73.95	RING SET, standard	} 3.4 engines 3-ring pistons	1
011-128		\$73.95	RING SET, .020"		1
011-129		\$73.95	RING SET, .030"		1
011-130		\$73.95	RING SET, .040"		1
011-131		\$73.95	RING SET, .060"		1
011-132		\$96.95	RING SET, standard	} 3.8 engines 3-ring pistons	1
011-133		\$96.95	RING SET, .020"		1
011-134		NA	RING SET, .030"		1
011-135		\$96.95	RING SET, .040"		1
011-136		\$96.95	RING SET, .060"		1
011-140		NA	CYLINDER LINER, 3/32" wall	} all 3.4 engines	6
011-141		NA	CYLINDER LINER, 1/8" wall		6
011-142		NA	CYLINDER LINER, 3/32" wall	} all 3.8 engines	6
011-143	NA	CYLINDER LINER, 1/8" wall	6		

No.	Part No.	Price (each)	Description	Application	Qty. Req.	
3	031-894	\$15.95	CONNECTING ROD BOLT (use with self-locking nut)		12	
4	031-895	\$3.90	CONNECTING ROD NUT, self-locking		12	
5	829-018	\$28.95	WRIST PIN BUSH SET (6 bushes)		1	
6	550-061	\$51.95	ROD BEARING SET, standard		1	
	550-062	\$51.95	ROD BEARING SET, .010"		1	
	550-063	\$51.95	ROD BEARING SET, .020"		1	
	011-156	\$51.95	ROD BEARING SET, .030"		1	
	011-157	\$51.95	ROD BEARING SET, .040"		1	
	7	550-066	\$129.95	MAIN BEARING SET, standard		1
		550-067	\$129.95	MAIN BEARING SET, .010"		1
011-163		\$129.95	MAIN BEARING SET, .020"		1	
011-164		\$129.95	MAIN BEARING SET, .030"		1	
011-165		NA	MAIN BEARING SET, .040"		1	
8	555-125	\$9.35	THRUST WASHER SET		1	
10	031-893	NA	GEAR, oil pump drive		1	
11	031-915	\$125.95	SPROCKET, crankshaft		1	
12	011-066	NA	PULLEY, crankshaft	XK120	1	
	031-782	NA	PULLEY, crankshaft	XK140-150 to eng. V5732, VS1522	1	
	011-068	NA	PULLEY, crankshaft	XK150 from eng. V5733, VS1523	1	
13	031-783	\$7.95	TAB WASHER, crank pulley		1	
14	031-892	\$7.95	BUSHING, pilot shaft		1	
15	031-891	NA	PLUG, crank journals, threaded		6	
16	031-890	NA	DOWEL PIN, flywheel to crank		2	
17	031-784	\$25.95	LOCKPLATE, flywheel		1	
18	011-197	\$114.95	RING GEAR, standard trans.	XK140 - 150	1	
	011-198	NA	RING GEAR, auto. transmission	XK140 - 150	1	
20	031-896	\$10.95	CYLINDER HEAD STUD, plain		13	
21	031-897	NA	CYLINDER HEAD STUD, stepped		1	
	311-788	\$199.95	CHROME NUT AND WASHER SET		1	
	Complete 72 piece set of nuts and washers for head studs and cam covers. (Cam cover washers are copper as original.)					
22	011-149	\$4.95	DOME NUTS, chrome, cylinder head studs		14	
23	011-150	\$4.55	WASHER, cyl. head nuts ('D' washers)	(XK120 uses 14)	14/10	
	011-983	\$5.25	WASHER, cyl. head nuts (round)	XK140-150	4	
	328-240	\$1.95	CORE PLUG, large		7	
24	031-781	\$4.00	CORE PLUG, small		1	

MOSS

MOSS MOTORS, LTD. 1-800-667-7872
TOLL-FREE ORDERS

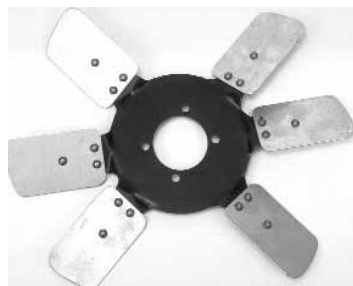
XK Engine: Bottom End

No.	Part No.	Price (each)	Description	Application	Qty. Req.
25	011-174	NA	WATER PUMP	XK120	1
	011-170	\$124.95	WATER PUMP, rebuilt (no pulley)	XK140-150	1
		\$50.00	CORE CHARGE for 011-170		1
26	031-898	\$1.10	GASKET, water pump	XK120-150	1
27	011-067	NA	PULLEY, water pump	XK140 - early150†	1
	011-069	\$93.95	PULLEY, water pump	late XK150††	1
28	011-171	\$13.95	FAN BELT, 5 blade fan	XK120 to (e)W5464	1
	011-172	NA	FAN BELT, 6 blade fan (use 011-171)	XK120 from (e)5465	1
	011-173	\$5.40	FAN BELT, 8 blade fan	XK120 - 140, 150 to V1597	1
	575-047	\$5.40	FAN BELT	XK150 to (e)5732;	1
				XK150S to (e)VS1522	1
	575-044	\$5.80	FAN BELT	XK150 from V5733;	1
				XK150S from VS1523	1
29	031-899	\$0.55	GASKET, timing cover		1
30	031-911	NA	PLUNGER, oil press. relief valve	}XK150	1
31	031-912	NA	SPRING, oil press. relief valve		1
32	031-913	NA	STOP PIN, oil press. relief valve		1
33	800-008	\$12.95	OIL FILTER	XK120 to (e)W4382	1
	950-050	\$26.95	OIL FILTER, 4.5 x 3.5", "Crosland"	}XK120 from above	1
	950-550	NA	OIL FILTER, 4.5 x 3.5" **	}XK140	1
	950-060	\$20.95	OIL FILTER, felt, 6.25x2.5" "Crosland"	}XK140, XK150	1
	950-560	\$10.95	OIL FILTER, felt, 6.25 x 2.5" **		1
	031-910	NA	OIL PIPE, rear of block to head		1
34	590-046	\$21.25	FLEX OIL LINE, block to gauge		1
	031-908	\$10.60	BANJO BOLT, oil pipe		1
	031-909	\$5.80	WASHER, oil pipe to head		6
35	810-040	\$21.95	ENGINE MOUNT, front (rectangular)	}early XK120	2
36	011-145	NA	ENGINE MOUNT, rear (rectangular)		1
37	011-146	\$14.95	ENGINE MOUNT, front (round)	}later XK120	2
		NA	ENGINE MOUNT, rear (round w/studs)		2
	011-146	\$14.95	ENGINE MOUNT, ft. & rear (illus.)	XK140-150	4
38	031-989	\$2.57	SEAL, crankshaft rear	XK150	2
39	535-010	\$18.40	SEAL, crankshaft front	XK120 - 140 to (e)G1907	1
39a	535-020	\$3.50	SEAL, crankshaft front	XK140 from (e)G1908	1
				XK150	1
40	522-052	NA	CONVERSION GASKET SET	XK120 - 140	1
	522-053	\$62.95	CONVERSION GASKET SET	XK150	1
41	011-310	\$54.95	SENDING UNIT, oil level	}XK120	1
42	293-415	\$0.95	GASKET, sending unit		1
43	011-761	\$12.50	OIL DRAIN PLUG, stock type		1
	011-764	\$17.95	OIL DRAIN PLUG, magnetic (with washer)		1
44	011-762	\$1.60	WASHER, drain plug		1

† to engine #V5732 and VS1522

†† from engine #V5734 and VS1523, and 3.8 litre engines

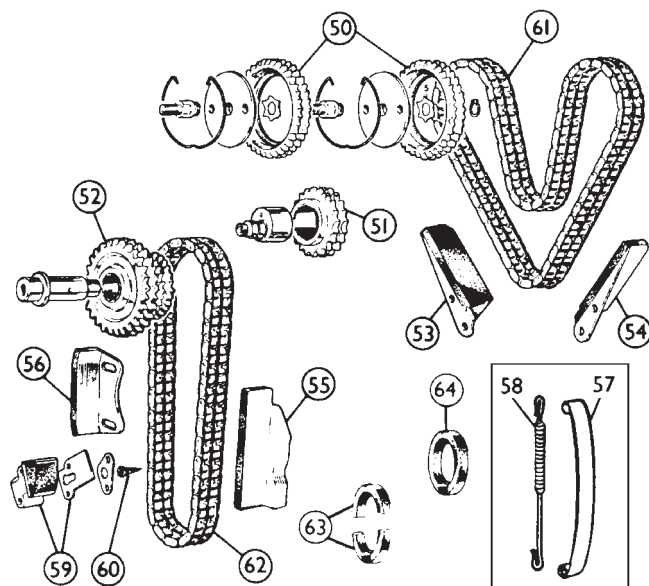
** These oil filters are supplied by various manufacturers.



XK120 Late Cooling Fan

Just like the originals fitted from engine #W.5465 (May, 1952), these superb reproductions feature a central steel "spider" with six riveted aluminum alloy blades.

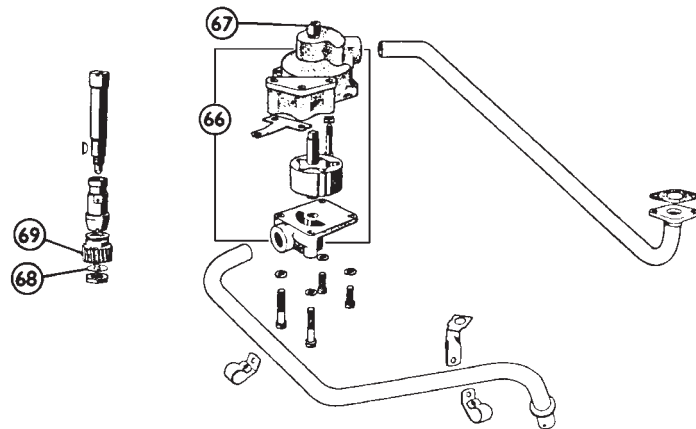
011-213 \$184.95



No.	Part No.	Price (each)	Description	Application	Qty. Req.
-----	----------	--------------	-------------	-------------	-----------

Timing Chains/Sprockets

50	031-918	\$119.95	SPROCKET, camshaft		2
51	031-917	\$222.95	SPROCKET, idler		1
52	031-916	\$229.95	SPROCKET ASS'Y., intermediate		1
53	031-922	\$11.60	DAMPER, R/H, upper chain	}late XK140 - 150	1
54	031-921	\$11.60	DAMPER, L/H, upper chain		1
55	031-919	\$14.95	DAMPER, lower chain (L/H)		1
56	031-920	NA	INTERMED. DAMPER, lower chain (R/H)		1
57	011-241	\$10.95	TENSIONER BLADE	}XK120 - early XK140	1
58	600-100	NA	SPRING, tensioner		1
59	011-139	\$32.95	TENSIONER ASS'Y., hydraulic	}late XK140 - 150	1
60	031-903	\$3.45	FILTER CONE, behind tensioner		1
61	600-105	\$18.95	TIMING CHAIN, upper		1
62	600-099	\$14.90	TIMING CHAIN, lower		1
63	535-010	\$18.40	OIL SEAL, front	XK120 - 140 to (e)G1907	1
64	535-020	\$3.50	OIL SEAL, front	XK140 - 150 from (e)G1908	1

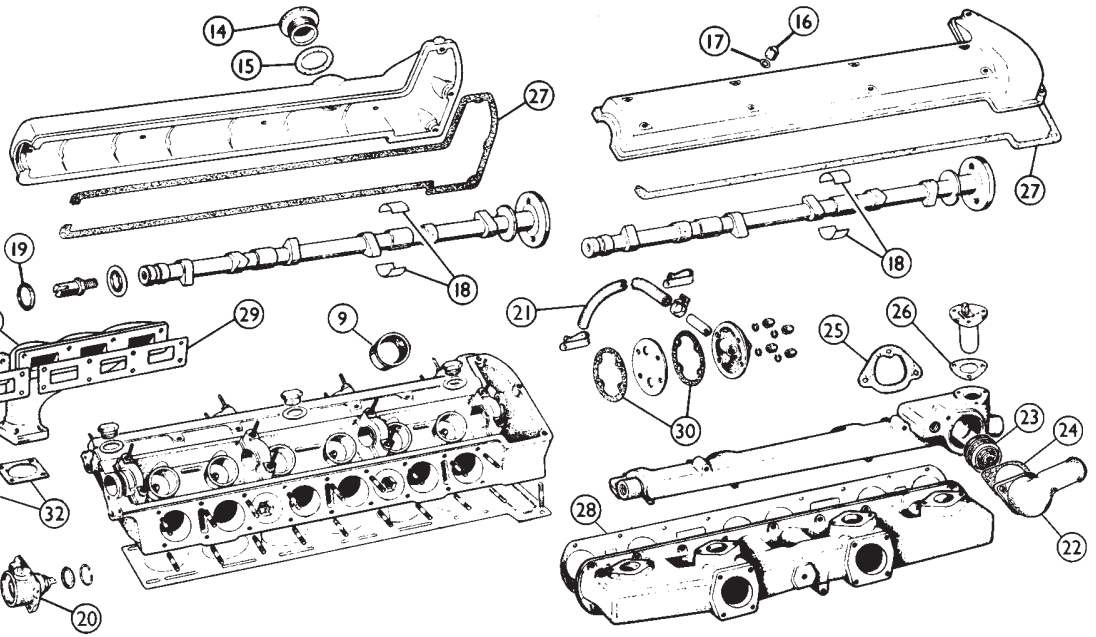
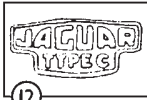
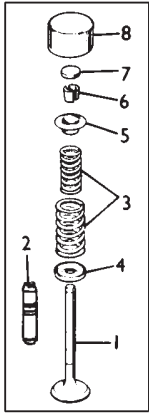
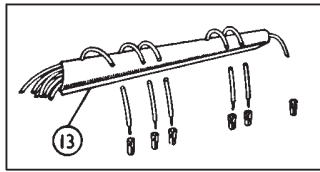


Oil Pump

66	011-760*	\$130.95	OIL PUMP	XK140 - 150S from (e)G1908	1
67	031-900	NA	COUPLING, dist. drive gear		1
68	031-902	\$12.95	SPECIAL WASHER, locknut		1
69	031-901	NA	GEAR, distributor drive		1

*Oil pump supplied is for the later 4.2 litre engine. For use on 3.4 and 3.8 litre engines, the oil pick-up tube requires slight modification.

XK Engine: Top End



No.	Part No.	Price (each)	Description	Application	Qty. Req.
1	537-079	\$8.40	INTAKE VALVE, 1 3/4" dia.	XK120 - 140	6
	537-112	\$17.50	INTAKE VALVE, 1 3/4" dia.	XK150 - 150S	6
	537-036	\$8.95	EXHAUST VALVE, stock, 1 7/16" dia.	XK120-140 std. head	6
	537-035	NA	EXHAUST VALVE, stellite		6
	537-092	\$26.95	EXHAUST VALVE, stock, 1 5/8" dia.	XK120-140 C-type head all XK150 - 150S	6
	537-095	NA	EXHAUST VALVE, stellite		6
2	538-011	\$3.40	INTAKE GUIDE,	oversize, .005"	6
	538-035	NA	INTAKE GUIDE, manganese-bronze		6
	538-017	\$2.95	EXHAUST GUIDE,		6
	538-030	NA	EXHAUST GUIDE, manganese-bronze		6
3	539-072	\$39.95	SPRING SET, valve	XK140 - 150S	1
4	031-907	\$5.40	CUPPED WASHER, valve spring		12
5	031-905	NA	COLLAR, valve stem		12
6	031-906	NA	VALVE STEM COTTER		24
7	031-085	\$2.65	VALVE ADJ. SHIM, .085"		A/R
	031-086	\$2.65	VALVE ADJ. SHIM, .086"		A/R
	031-087	\$2.65	VALVE ADJ. SHIM, .087"		A/R
	031-088	\$2.65	VALVE ADJ. SHIM, .088"		A/R
	031-089	\$2.65	VALVE ADJ. SHIM, .089"		A/R
	031-090	\$2.65	VALVE ADJ. SHIM, .090"		A/R
	031-091	\$2.65	VALVE ADJ. SHIM, .091"		A/R
	031-092	\$2.65	VALVE ADJ. SHIM, .092"		A/R
	031-093	\$2.65	VALVE ADJ. SHIM, .093"		A/R
	031-094	\$2.65	VALVE ADJ. SHIM, .094"		A/R
	031-095	\$2.65	VALVE ADJ. SHIM, .095"		A/R
	031-096	\$2.65	VALVE ADJ. SHIM, .096"		A/R
	031-097	\$2.65	VALVE ADJ. SHIM, .097"		A/R
	031-098	\$2.65	VALVE ADJ. SHIM, .098"		A/R
	031-099	\$2.65	VALVE ADJ. SHIM, .099"		A/R
	031-100	\$2.65	VALVE ADJ. SHIM, .100"		A/R
	031-101	\$2.65	VALVE ADJ. SHIM, .101"		A/R
	031-102	\$2.65	VALVE ADJ. SHIM, .102"		A/R
	031-103	\$2.65	VALVE ADJ. SHIM, .103"		A/R
	031-104	\$2.65	VALVE ADJ. SHIM, .104"		A/R
	031-105	\$2.65	VALVE ADJ. SHIM, .105"		A/R
	031-106	\$2.65	VALVE ADJ. SHIM, .106"		A/R
	031-107	\$2.65	VALVE ADJ. SHIM, .107"		A/R
	031-108	\$2.65	VALVE ADJ. SHIM, .108"		A/R
	031-109	\$2.65	VALVE ADJ. SHIM, .109"		A/R
	031-110	\$2.65	VALVE ADJ. SHIM, .110"		A/R
8	011-940	\$7.00	TAPPET		12
9	031-904	\$9.95	TAPPET GUIDE		12
9a	011-623	NA	EXHAUST MANIFOLD, front		1
9b	011-622	NA	EXHAUST MANIFOLD, rear		1
10	031-790	\$2.30	STUD, exhaust manifold		8
11	310-260	\$0.60	NUT, exh. manifold stud (brass)		8
12	011-795	NA	"JAGUAR C-TYPE" BADGE	on cam covers	2

No.	Part No.	Price (each)	Description	Application	Qty. Req.
13	031-923	\$62.95	IGNITION WIRE CARRIER	exact reproduction	1
14	011-147	NA	OIL FILLER CAP, polished aluminium		1
15	031-990	\$4.50	WASHER, oil filler cap		1
	311-788	\$199.95	CHROME NUT AND WASHER SET		1
Complete 72 piece set of all chrome cylinder head and cam cover nuts, chrome cylinder head 'D' washers and copper cam cover washers as original.					
16	011-148	\$3.90	CHROME DOME NUT, cam cover		22
17	315-290	\$0.50	WASHER, copper		22
18	550-630	\$86.95	CAM BEARING SET		1
19	535-017	\$3.25	OIL SEAL, tach drive	XK120 - 140, mechanical	1
20	031-914	\$413.95	TACH GENERATOR, electric	late XK150	1
	011-855	\$7.40	TACH DRIVE DOG		1
21	011-138	\$14.75	BREATHER PIPE, "flexible"		1
22	011-058	NA	THERMOSTAT HOUSING	XK140	1
	011-054	NA	THERMOSTAT HOUSING	XK150	1
23			THERMOSTATS - see page 7.		

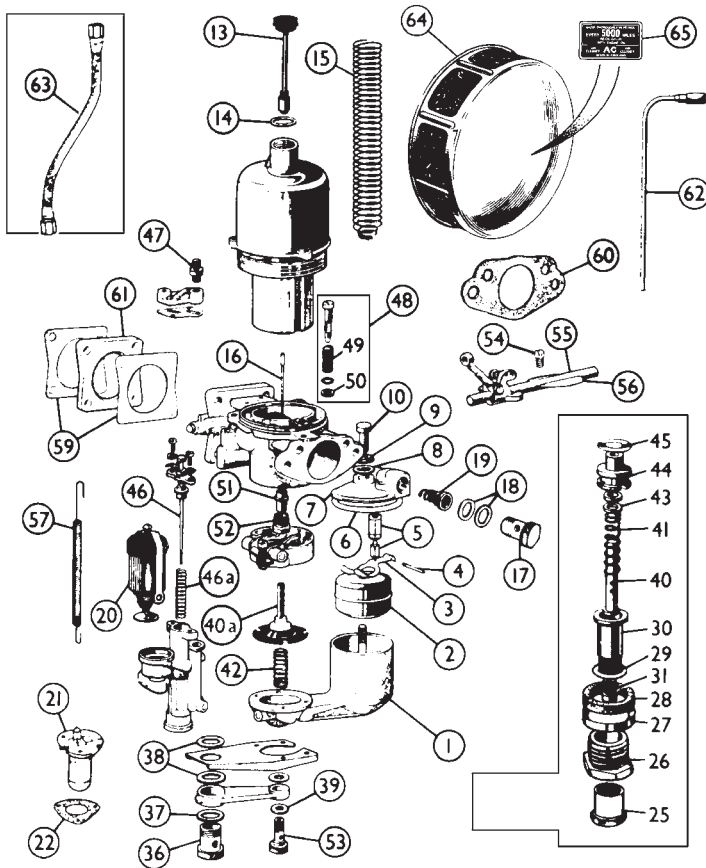
Gaskets

Note: One head set and one conversion set make one complete engine gasket set.

	524-071	\$109.95	GASKET SET, head	XK120	1
	524-069	\$114.95	GASKET SET, head	XK140 - 150, 3.4 engines	1
	011-620	\$119.95	GASKET SET, head	XK150, 3.8 engines	1
	524-070	NA	GASKET SET, head	XK150S, 3.4 engines	1
	524-073	\$134.95	GASKET SET, head	XK150S, 3.8 engines	1
	522-052	NA	GASKET SET, conversion	XK120 - 140	1
	522-053	\$62.95	GASKET SET, conversion	XK150 - 150S	1
24	011-602	\$1.25	GASKET, thermostat housing	XK120	1
	011-168	\$2.95	GASKET, thermostat housing	XK140-150	1
25	031-787	\$8.95	GASKET, water outlet elbow	XK120	1
26	031-991	\$2.60	GASKET, auto. choke thermostat		1
27	529-214	\$8.60	GASKET, cam cover	3.4 engines	2
	529-214	\$8.60	GASKET, cam cover, L/H	with electric tach drive	1
	529-213	\$8.60	GASKET, cam cover, R/H		1
28	011-167	NA	GASKET, intake manifold	XK120 - 150	1
	529-261	NA	GASKET, intake manifold	XK150S	3
29	011-621	\$5.45	GASKET, exhaust manifold		2
30	011-169	\$1.20	GASKET, oil breather pipe		2
32	529-022	\$7.60	GASKET, manifold flange		2



MOSS MOTORS, LTD. 1-800-667-7872
TOLL-FREE ORDERS



No.	Part No.	Price (each)	Description	Application	Qty. Req.
30	031-050	\$11.95	BEARING, bottom	}XK120 - 140	2
31	378-190	\$6.65	SCREW, adjusting		2
36	370-350	\$5.95	BANJO BOLT		1
37	370-650\$*	\$0.95	WASHER, fiber		1
38	370-165\$*	\$1.05	WASHER, fiber		2
39	370-130\$*	\$0.80	WASHER, aluminum		2/3
40	378-170*	\$10.50	JET	XK120 - 140	2
40a	378-320\$*	\$19.95	JET	XK150	2
	378-330\$*	\$19.95	JET	XK150S	3
41	031-993	\$14.95	SPRING	XK120 - 140	2
42	031-994\$*	\$1.05	SPRING, jet return	XK150 - 150S	2/3
43	295-200†	\$0.95	SEAL, cork	}XK120 - 140	2
44	370-380	\$11.25	BEARING, top		2
45	370-250*	\$1.20	WASHER, top bearing		2
46	031-995	\$42.95	NEEDLE, thermo carb.		1
46a	373-170	\$3.95	SPRING, for needle		1
47	378-240	\$7.95	UNION, auto ignition		1
48	373-050	\$26.70	VALVE KIT, slow running	}XK150 - 150S	2/3
49	031-997	\$1.75	SPRING, valve		2/3
50	378-150	\$0.90	WASHER		2/3
51	031-998	\$10.65	JET BEARING		2/3
52	371-650	\$6.95	SCREW, jet locking		2/3
53	372-560	\$5.85	BANJO BOLT		2/3
54	370-090\$	\$0.85	SCREW, throttle disc		4/6
55	372-500\$	\$18.95	THROTTLE SHAFT, standard	}XK120 - 150	2
	372-510	\$19.95	THROTTLE SHAFT, oversize		2
	011-187\$	\$18.95	THROTTLE SHAFT, standard	}XK150S	3
	011-188	\$18.95	THROTTLE SHAFT, oversize		3
56	378-220\$	\$14.40	DISC, throttle	XK120 - 150	2
	373-190\$	\$12.95	DISC, throttle	XK150S	3
57	031-792	\$6.25	SPRING, throttle return	XK150 - 150S	2/3

No.	Part No.	Price (each)	Description	Application	Qty. Req.
1	378-040	\$143.95	CHAMBER, float	XK120 - 140	2
2	370-010	\$18.95	FLOAT		2/3
3	370-170*	\$6.95	LEVER, float	original cover	2/3
	371-030	\$3.95	LEVER, float	replacement cover	2/3
4	370-060\$*	\$0.75	PIN, float lever	all models	2/3
5	371-055\$*	\$11.95	NEEDLE AND SEAT ASS'Y., "Viton" tip		2/3
	386-390	\$9.95	GROSE-JET, superior replacement for original style needle and seat		2/3
6	294-900\$*†	\$0.95	GASKET, chamber lid		2/3
7	375-068	\$83.95	LID, float chamber	XK120-140	2
	375-068	\$83.95	LID, float chamber, front	XK150 - 150S	1
	375-058	\$83.95	LID, float chamber, rear	XK150 - 150S	1
	375-058	\$83.95	LID, float chamber, center	XK150S	1
8	370-160\$*	\$0.75	WASHER, fiber		2/3
9	370-130\$*	\$0.80	WASHER, aluminum		2/3
10	370-150	\$4.95	CAP NUT		2/3
13	370-740	\$20.95	DAMPER		2/3
14	370-650\$*	\$0.95	WASHER, damper		2/3
15	370-520	\$3.95	SPRING, piston	except XK150S	2
	031-999	NA	SPRING, piston	XK150S	3
16	854-227	NA	JET NEEDLE, standard, RB	XK120, 4199 - '50	2
	011-183	\$12.85	JET NEEDLE, standard, RF	XK120, 1951 - '54	2
	011-184	NA	JET NEEDLE, standard, W02	{ XK120, 1951 - '54, w/remote air cleaner	2
	011-185	NA	JET NEEDLE, standard, SJ	XK140	2
	374-450	NA	JET NEEDLE, rich, SA	XK140	2
	854-246	\$11.95	JET NEEDLE, standard, TL	XK150	2
	011-186	NA	JET NEEDLE, standard, UE	XK150S	3
17	370-350	\$5.95	BANJO BOLT		2/3
18	370-650\$†*	\$0.95	WASHER, fiber		4/6
19	370-270	\$4.95	SCREEN		2/3
20	378-340	\$168.95	SOLENOID		1
21	378-410	\$138.95	SENDING UNIT, solenoid	on manifold	1
22	031-991	\$2.60	GASKET, sending unit		1
25	378-210	\$11.95	END CAP	}XK120-140	2
26	370-400	\$7.95	NUT, sealing		2
27	370-220	\$2.95	RING, sealing		2
28	295-000†*	\$1.90	SEAL, cork		2
29	370-410*	\$0.95	WASHER, bottom bearing		2

Gasket/Filters/Manual

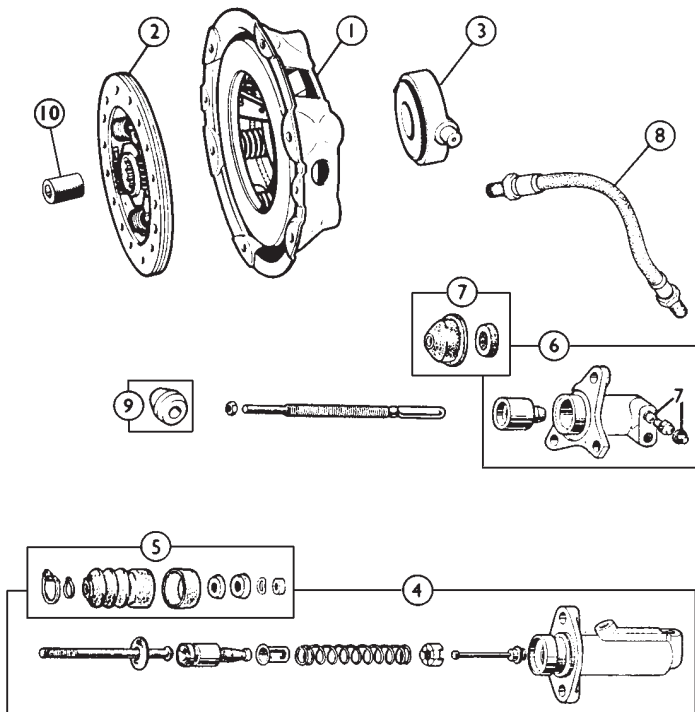
Note: "Master Rebuild Kits" are produced exclusively by S.U., with only genuine S.U. components, and include all parts marked \$, plus some seals & gaskets not illustrated. "Repair kits" include items marked *. Gasket sets include items marked †. Kits service the number of carbs. indicated. Jet needles are not included.

375-278	\$138.95	REPAIR KIT, 1 3/4" carbs (for 2 carbs.)	XK120-140	1	
375-588	\$199.95	MASTER REBUILD KIT (for 2 carbs.)	}XK150	1	
375-288	\$132.95	REPAIR KIT, 1 3/4" carbs (for 2 carbs.)		1	
375-595	\$112.95	MASTER REBUILD KIT (for 1 carb.)	}XK150S	3	
375-298	NA	REPAIR KIT, 2" carbs (for 3 carbs.)		1	
698-028	\$10.50	GASKET SET, repairs 2 carbs.	XK120 - 140	1	
698-038	NA	GASKET SET, repairs 2 carbs.	XK150	1	
698-048	NA	GASKET SET, repairs 3 carbs.	XK150S	1	
59	696-010\$†*	\$0.95	GASKET, carb. to manifold	all 1 3/4" carbs.	4
	529-120\$†*	\$1.75	GASKET, carb. to manifold	all 2" carbs.	4/6
60	696-020\$†*	\$0.95	GASKET, filter to carb.	all 1 3/4" carbs.	2
	696-030\$†*	\$1.45	GASKET, filter to carb.	all 2" carbs.	2
61	696-000	\$4.95	INSULATING BLOCK, carb.	all 1 3/4" carbs.	2/3
62	451-250	\$14.95	OVERFLOW PIPE		2/3
63	590-035	NA	FUEL LINE, flexible		1
64	371-520	\$30.95	AIR FILTER, A-C Sphinx type	1 3/4" carbs	2
65	011-716	\$3.95	DECAL, air cleaner, original type		2

Carburetor Accessories

211-305	\$24.95	WORKSHOP MANUAL, S.U. carbs	(official S.U. publication)	
386-300	\$24.95	SU TOOL KIT		
386-200	\$32.95	UNI-SYN		
386-500	\$23.95	SU JET CENTERING TOOL		

XK Clutch / Gearbox



No.	Part No.	Price (each)	Description	Application	Qty. Req.
-----	----------	--------------	-------------	-------------	-----------

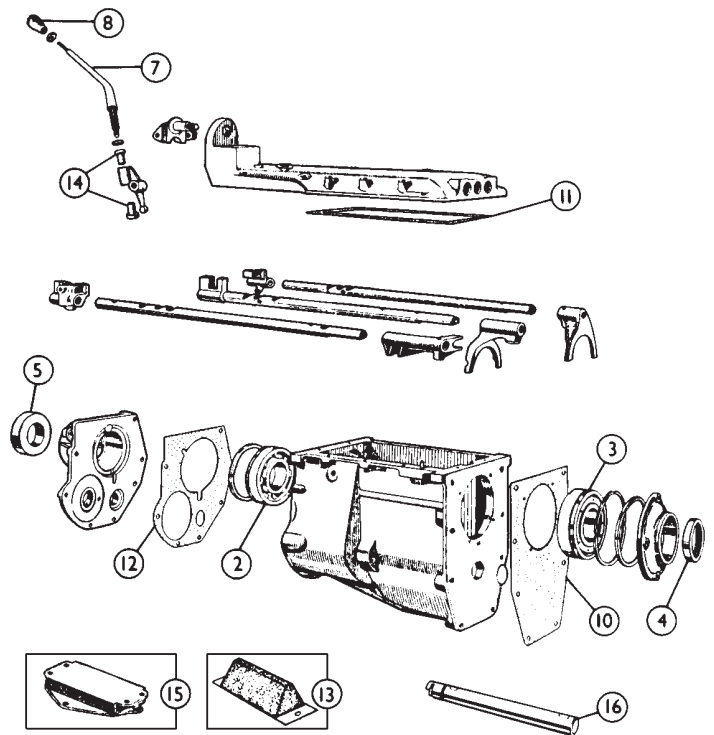
Clutch

1	500-080	\$219.95	PRESSURE PLATE, new	heavy duty	1
2	500-100	\$96.95	DISC, new		1
3	501-023	\$38.95	RELEASE BEARING		1
4	581-110	NA	MASTER CYLINDER, clutch	} XK150 - 150S	1
5	513-065	\$22.50	REPAIR KIT, master cylinder		1
6	011-200	NA	SLAVE CYLINDER		1
7	513-084	\$5.95	REPAIR KIT, slave cylinder		1
8	011-252	\$27.95	HOSE, slave cylinder		1
	011-615	\$13.95	HOSE, slave cylinder, aftermarket	1	
9	330-430	NA	BUSH, clutch shaft (in housing)	XK120 - 140	29
10	031-892	\$7.95	BUSHING, pilot shaft		1



Clutch Alignment Tool

This precision made lightweight, durable alignment tool really helps in clutch installation. Eliminates hours of frustration.
387-260 \$4.95



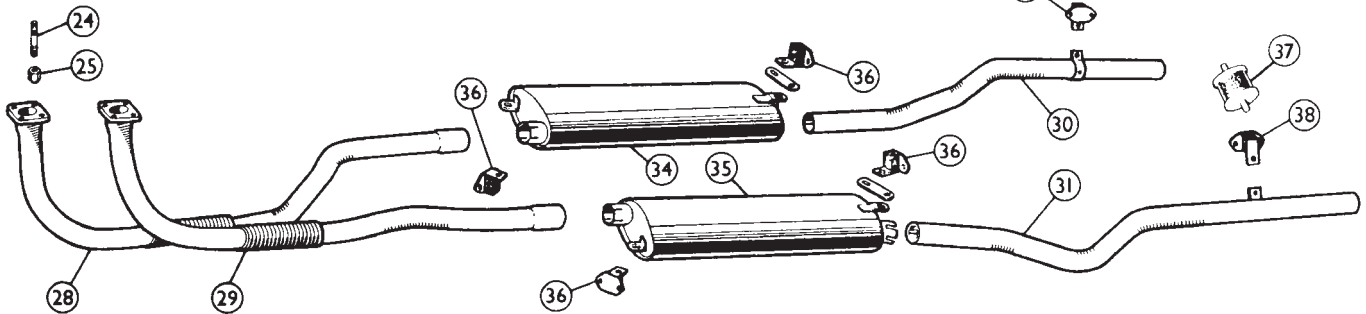
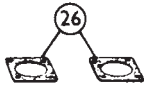
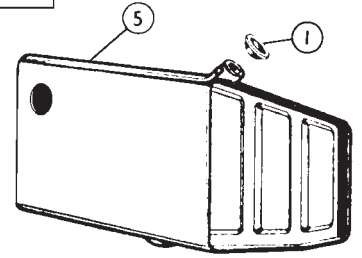
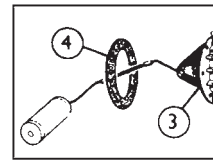
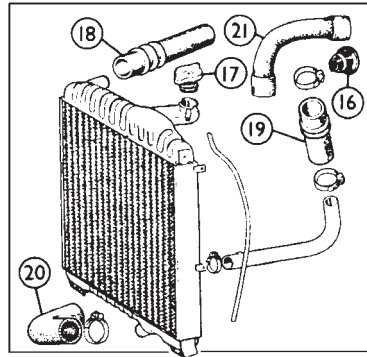
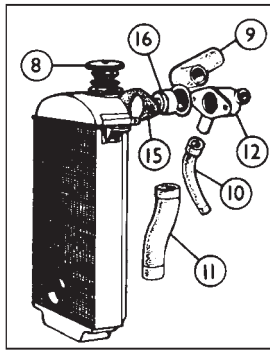
No.	Part No.	Price (each)	Description	Application	Qty. Req.
-----	----------	--------------	-------------	-------------	-----------

Gearbox

1	128-000	\$34.95	BEARING, tailshaft	XK120, SH - JH trans.	1
2	620-564	\$139.95	BEARING, rear mainshaft		1
3	620-586	\$28.95	BEARING, 1st motion shaft		1
	011-201	NA	NEEDLE BRG. ASS'Y., 1st motion shaft		1
	866-470	\$64.95	BEARING, clutch thrust ring	} XK140 - 150S with O/D	1
	866-630	\$25.95	BEARING, inner tailcase		1
	525-150	\$10.95	BEARING, outer tailcase		1
4	535-047	\$4.50	OIL SEAL, front cover	except XK150 JL & JS trans.	1
5	535-192	\$9.95	OIL SEAL, rear cover	without O/D	1
	120-700	\$4.95	OIL SEAL, rear cover	overdrive trans.	1
7	011-792	NA	GEARSHIFT LEVER, straight	XK120 - 140	1
8	620-040	NA	GEARSHIFT KNOB, repro.	XK120, early XK150	1
	031-798	\$52.95	GEARSHIFT KNOB, repro.	late XK150 - 150S	1
10	031-950	\$2.40	GASKET, front gearbox		1
11	031-951	\$2.95	GASKET, top gearbox	O/D uses 2	1/2
12	031-949	\$2.40	GASKET, rear		1
13	031-802	\$31.95	MOUNT, rear gearbox (O/D trans.)	XK140 - 150S	1
14	682-010	\$12.95	BUSHING, gearshift lever (rubber)		2
15	011-145	NA	MOUNT, rear gearbox	} XK120 Rd. to (c)672481 } XK120 FHC to (c)679815	1
					1
16	011-960	\$99.95	LAYSHAFT		1

Automatic Transmission

	011-204	\$13.25	BEARING, mainshaft	} XK140 - 150S auto. trans.	1
	011-205	NA	OIL SEAL, front cover		1
	011-206	NA	OIL SEAL, rear cover		1



No.	Part No.	Price (each)	Description	Application	Qty. Req.
Fuel System					
1	682-170	\$2.50	GAS TANK CAP SEAL, dome-type		1
	011-982	\$2.50	GAS TANK CAP SEAL, flat type		1
2	031-968	NA	FILTER ASS'Y., gas tank		1
3	011-311	\$54.95	SENDING UNIT, fuel gauge	XK120	1
	011-312	\$54.95	SENDING UNIT, fuel gauge	XK140 - 150	1
4	293-415	\$0.95	GASKET, sending unit		1
5	849-040	NA	GAS TANK	XK120	1
	849-050	NA	GAS TANK	XK140 - early XK150*	1
	849-060	NA	GAS TANK	late XK150*	1
*change at OTS #830559, DHC #837467, FHC 835588					

No.	Part No.	Price (each)	Description	Application	Qty. Req.
Cooling System					
8	011-830	\$10.45	RADIATOR CAP, round	} XK120	1
9	011-175	\$19.75	HOSE, top		1
10	011-181	\$9.95	HOSE, bypass		1
11	570-016	\$18.95	HOSE, bottom		1
12	011-144	\$178.95	THERMOSTAT HOUSING		1
15	011-602	\$1.25	GASKET, thermostat housing		1
16	434-156	\$42.95	THERMOSTAT, 160°	orig. type with sleeve	1
	434-180	\$4.95	THERMOSTAT, 165°	} modern replacement	1
	434-189	\$4.95	THERMOSTAT, 180°		1
	434-190	\$4.95	THERMOSTAT, 195°		1
17	011-830	\$10.45	RADIATOR CAP, round	early XK140	1
	011-845	\$9.15	RADIATOR CAP, 3/4" depth	late XK140 - 150	1
18	434-427	\$14.55	HOSE, top (replacement)	XK140	1
	434-427	\$14.55	HOSE, top replacement	XK150	1
19		NA	HOSE, intermediate	} XK140 - 150	1
20	011-178	\$9.35	HOSE, bottom		1
21	834-320	\$8.30	HOSE, bypass		1

No.	Part No.	Price (each)	Description	Application	Qty. Req.
Exhaust System					
24	031-790	\$2.30	STUD, exhaust manifold to pipe		8
25	310-260	\$0.60	NUT, exhaust manifold stud (brass)		8
26	529-022	\$7.60	GASKET, front pipe		2
	031-827	NA	GASKET, front pipe to muffler	XK120	1
28	011-191	\$69.95	FRONT PIPE, R/H (not auto trans.)	} XK140 - 150S	1
29	011-192*	\$69.95	FRONT PIPE, L/H		1
30	011-195	\$37.95	TAILPIPE, R/H		1
31	011-196	\$37.95	TAILPIPE, L/H		1
34	011-193	NA	MUFFLER, R/H		1
35	011-194	NA	MUFFLER, L/H	1	
36	614-008	\$2.95	MOUNT, front		4
37	031-828	NA	MOUNT, rear	XK120	1
38	614-009	\$3.85	MOUNT, rear	XK140 - 150S	2
*Note: For some XK140s this pipe may need slight modification to clear the clutch linkage.					

No.	Part No.	Price (each)	Description	Application	Qty. Req.
Stainless Steel Exhaust Systems					
860-170	\$549.95	XK120 ROADSTER SINGLE MUFFLER SYSTEM			1
Note: XK120-S system supplied - mounts under chassis cross-member.					
870-175	\$471.95	XK120 FHC & DHC SINGLE MUFFLER SYSTEM			1
860-190*	\$680.95	XK140-150 DUAL MUFFLER SYSTEM			1
*Note: For standard transmission. Auto transmission requires extra bends.					

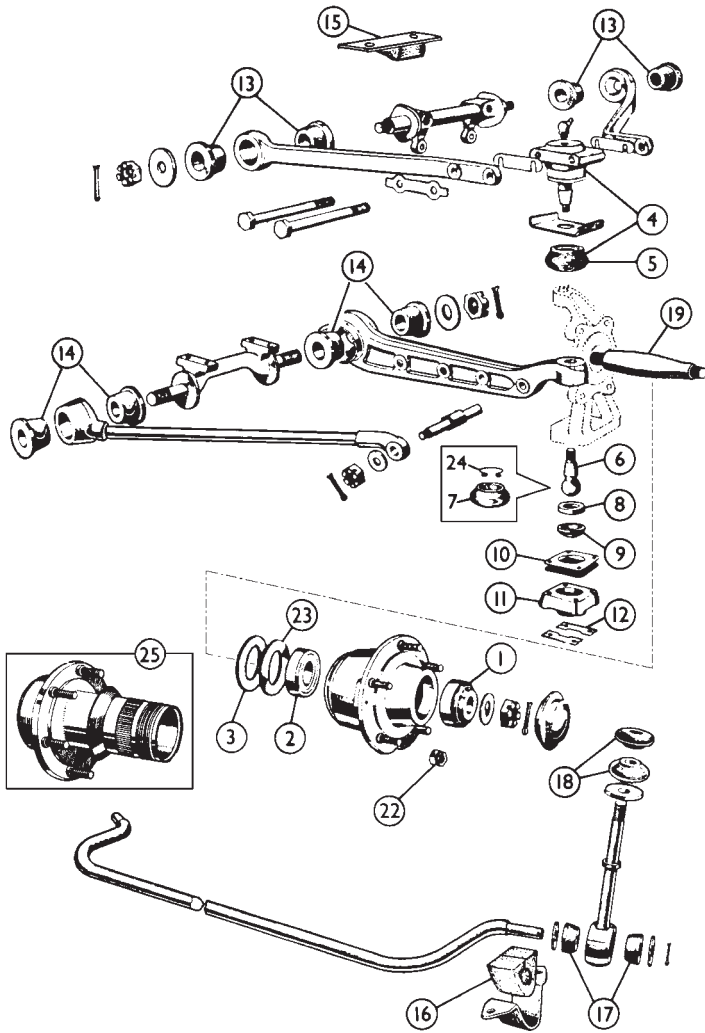


Water Wetter

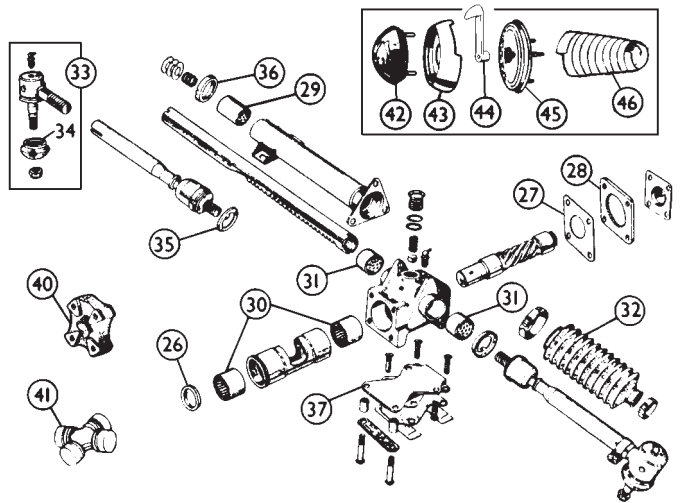
Water Wetter is a specially-formulated wetting agent which helps coolant "bond" to the metal surfaces inside your cooling system, thereby increasing heat transfer efficiency. Your car can run up to 15° F cooler. Highly recommended, especially for warmer climates.

220-115 \$11.95

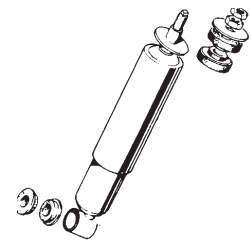
XK Suspension / Steering



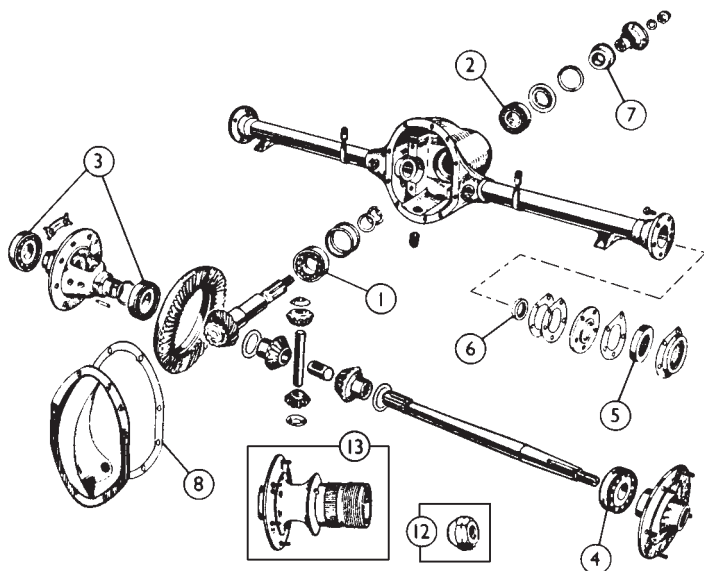
No.	Part No.	Price (each)	Description	Application	Qty. Req.
Front Suspension					
1	011-226	\$21.95	BEARING, outer wheel		2
2	011-225	\$29.95	BEARING, inner wheel		2
3	011-227	\$2.40	OIL SEAL, hub		2
4	011-935	\$71.95	UPPER BALL JOINT ASS'Y., pair		1
5	011-914	\$2.45	BOOT, upper ball joint		2
6	011-922	\$32.95	BALL PIN, lower ball joint		2
7	011-918	\$2.30	BOOT, lower ball joint		2
8	011-926	NA	SPIGOT, over ball pin socket - brass sockets only (For use with brass sockets only. Not for later Morganite sockets.)		2
9	011-928	NA	FIBER SOCKET, Morganite (replacement for brass sockets)		2
10	011-920	\$6.95	SHIM, .0025"		A/R
	011-919	\$6.95	SHIM, .005"		A/R
	011-917	\$6.95	SHIM, .010"		A/R
11	011-932	NA	CAP, ball joint socket		2
12	011-921	\$1.40	LOCKPLATE, setscrew		4
13	011-916	\$3.95	BUSHING, upper A-arm		8
14	011-934	\$7.60	BUSHING, lower A-arm		8
15	672-030	\$23.95	BOUND BUFFER		2
16	011-936	NA	RUBBER MOUNT, 1/2" anti-sway bar early XK120		2
	011-938	\$1.95	RUBBER MOUNT, 5/8" anti-sway bar late XK120 - 150S		2
17	011-942	\$2.50	RUBBER BUSHING, eye-end		4
18	011-943	\$1.60	RUBBER BUFFER, top link		4
19	031-821	\$89.95	STUB AXLE		2
22	031-819	\$5.10	NUT, hub stud	XK120 - 140	10
23	661-800	NA	RETAINER, oil seal		2
24	011-924	NA	CLIP, boot retaining		2
25	011-886	NA	HUB, WIRE WHEEL, L/H	XK120 - 140	1
	011-887	NA	HUB, WIRE WHEEL, R/H		1
	011-925	NA	HUB, WIRE WHEEL, L/H	XK150	1
	011-927	NA	HUB, WIRE WHEEL, R/H		1



No.	Part No.	Price (each)	Description	Application	Qty. Req.
Steering					
26	031-823	NA	OIL SEAL, pinion shaft	XK140 - 150S	1
27	031-814	NA	SHIM, steering box end cover	XK120	A/R
28	031-815	NA	GASKET, steering box end cover		A/R
	031-813	\$3.70	OIL SEAL, steering box		1
29	011-946	NA	BEARING, rack tube end	XK140 - 150S	1
30	011-947	NA	BEARING, pinion housing		2
31	011-948	NA	BUSHING, pinion housing		2
32	NA	NA	RACK SEAL		2
33	011-591	NA	OUTER TIE ROD END, pair	XK120, 1949 - '51	1
	011-592	\$64.90	OUTER TIE ROD END, pair	XK120, 1952 - '54	1
	011-229	NA	TIE ROD END, pair	XK140 - 150S	1
34	011-914	\$2.45	BOOT, tie rod end		2
35	031-958	NA	LOCK TAB, male to female housing		2
36	031-959	NA	LOCK TAB, male ball housing		2
	031-820	\$20.95	REPAIR STUD & BUSH, track rod (machining required)	XK120	2
37	011-586	\$14.95	MOUNT, rack and pinion	XK140 - 150S	2
40	011-230	\$43.95	COUPLING, steering column		1
41	263-265	\$26.95	JOINT, steering column, OEM		1
	263-260	\$9.45	JOINT, steering column, aftermarket		1
42	011-882	NA	CENTERPIECE, steering wheel	XK120	1
43	011-883	\$79.95	CHROME SURROUND, centerpiece		1
44	011-065	NA	LEVER, turn signal		1
45	011-890	NA	HORN PUSH	XK140 - 150	1
46	260-130	\$27.95	CHROME SPRING, steering col.		1
Shock Absorbers					
	656-260	\$358.95	FRONT SHOCK, Koni	XK120	2
	658-730	NA	FRONT SHOCK, Koni	XK140	2
	658-810	NA	FRONT SHOCK, Koni	XK150 - 150S	2
	011-232	\$152.95	FRONT SHOCK, replacement	XK140 - 150S	2
	658-780	\$294.95	REAR SHOCK, Koni	XK140	2
	658-820	NA	REAR SHOCK, Koni	XK150 - 150S	2
	011-233	\$149.95	REAR SHOCK, replacement	XK140 - 150S	2
	215-210	\$6.95	DECAL, Girling shock absorbers	XK120	2



XK Rear Axle / Suspension

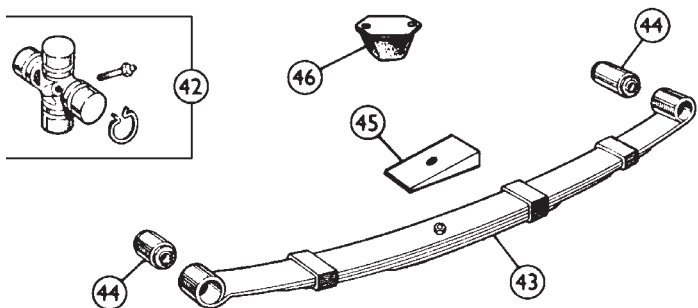


No.	Part No.	Price (each)	Description	Application	Qty. Req.
-----	----------	--------------	-------------	-------------	-----------

Rear Axle

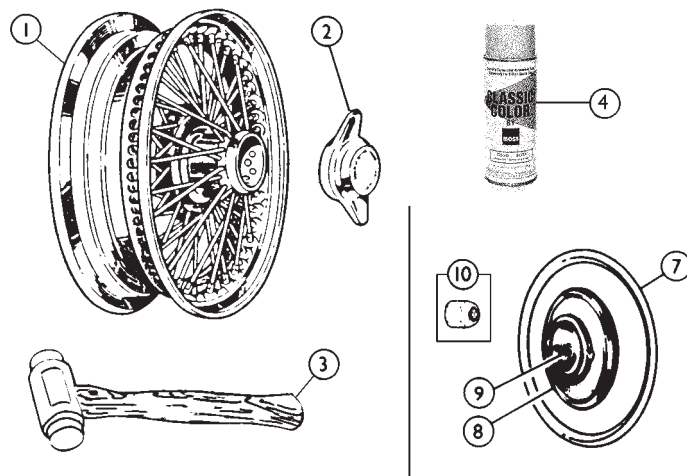
Note: ENV rear axles have no inspection cover, Salisbury axles (illustrated) have a removable inspection cover.

1	011-220	\$31.95	BEARING, bevel pinion, front	Salisbury axles	1
2	011-216	\$54.95	BEARING, bevel pinion, rear	ENV axles	1
	011-221	NA	BEARING, bevel pinion, rear	Salisbury axles	1
3	011-217	NA	BEARING, differential	ENV axles	2
	011-222	\$43.95	BEARING, differential	Salisbury axles	2
4	011-217	NA	BEARING, hub, 1 11/16" ID	ENV axles	2
	011-223	\$28.95	BEARING, hub, 1 3/8" ID	Salisbury axles	2
5	011-219	NA	OIL SEAL, hub	ENV axles	2
	520-430	\$5.95	OIL SEAL, hub	} Salisbury axles	2
6	011-224	\$9.20	OIL SEAL, axle housing		1
7	535-234	\$21.95	OIL SEAL, pinion		2
8	031-954	\$2.35	GASKET, differential cover	(4HA units only)	1
12	031-819	\$5.10	NUT, hub stud, disc wheel	XK120 - 140, Salisbury	10
13	011-901	NA	HUB, WIRE WHEEL, L/H	} XK120 - 140	1
	011-902	NA	HUB, WIRE WHEEL, R/H		1
	011-929	\$299.95	HUB, WIRE WHEEL, L/H	} XK150	1
	011-931	\$299.95	HUB, WIRE WHEEL, R/H		1



Rear Suspension/U-Joints

42	674-650	\$19.95	U-JOINT, Hardy-Spicer brand		2
	674-651	\$12.95	U-JOINT, aftermarket		2
43	454-850	\$164.95	LEAF SPRING, rear	XK120 - 140	2
	454-860	\$164.95	LEAF SPRING, rear	XK150 - 150S	2
44	031-955	\$16.95	SILENTBLOC BUSHING		4
45	031-809	NA	TAPER WEDGE, rear spring	XK140 - 150S	2
46	672-040	NA	BUFFER		2



No.	Part No.	Price (each)	Description	Application	Qty. Req.
-----	----------	--------------	-------------	-------------	-----------

Wire Wheels

The original 16" 54-spoke wire wheels are no longer available. Some XK150 were fitted with 60-spoke wheels as an option. The same 60-spoke wheels are also excellent heavy duty replacements for XK120 and 140.

1	854-360	\$349.95	WIRE WHEEL, 60-spoke, chrome		5
	854-350	\$259.95	WIRE WHEEL, 60-spoke, painted		5
	452-770	NA	RIM BAND, 16"		5
2	011-880	\$74.95	KNOCK-OFF, R/H, chrome		2
	011-881	\$74.95	KNOCK-OFF, L/H, chrome		2
3	386-850	\$43.95	HAMMER, 2 lbs., copper/copper		1
	386-110	\$33.95	HAMMER, 2 lbs., copper/rawhide		1
	386-020	\$29.95	HAMMER, 2 lbs., lead		1
4	220-560	\$15.95	SPRAY PAINT, silver wheel		A/R

Disc Wheels

7	031-829	NA	TRIM RING, disc wheels	factory option	4
8	011-758	NA	HUB CAP, without medallion		4
9	011-759	NA	MEDALLION, hub cap		4
	326-520	\$0.25	SPEED NUT, med. securing		8
10	031-819	\$5.10	NUT, hub stud	XK120 - 140	20

Inner Tubes

Top quality heavy-duty tube designed for use with radial tires and have rubber covered valve stems.
(Can be used with bias-ply tires.)



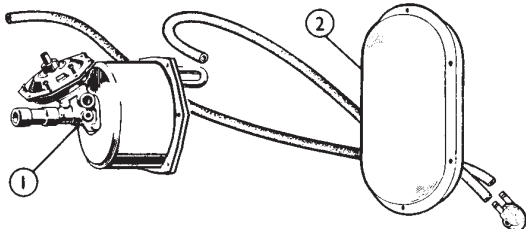
175/185 x 16" Inner Tube 452-775 \$20.95 ea.



Spoke Wrench

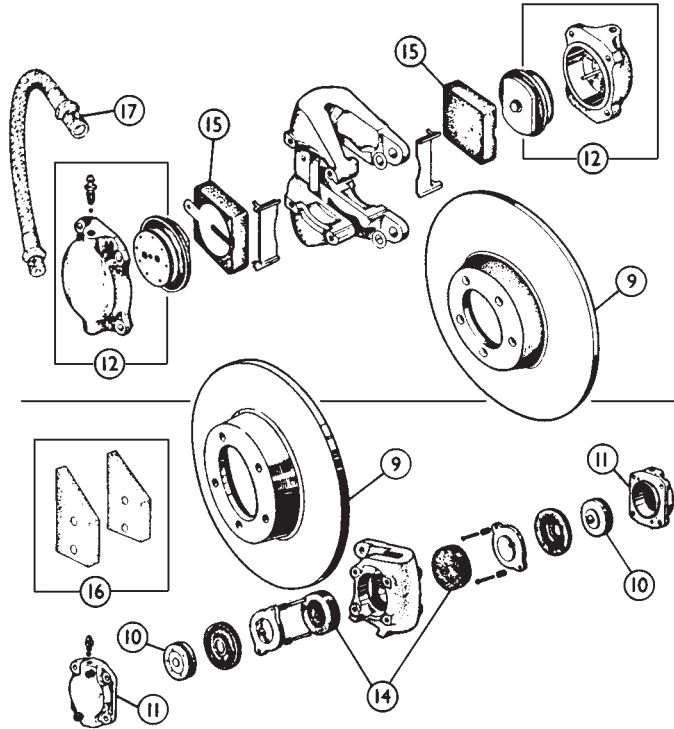
Keep your wire wheels true with our chrome vanadium steel spoke wrench. The 7" length provides good leverage, while the wide faces and accurately sized openings allow you to adjust your spoke nipples without rounding them off. Chrome plated for durability. **385-800 \$9.75**

XK Brakes



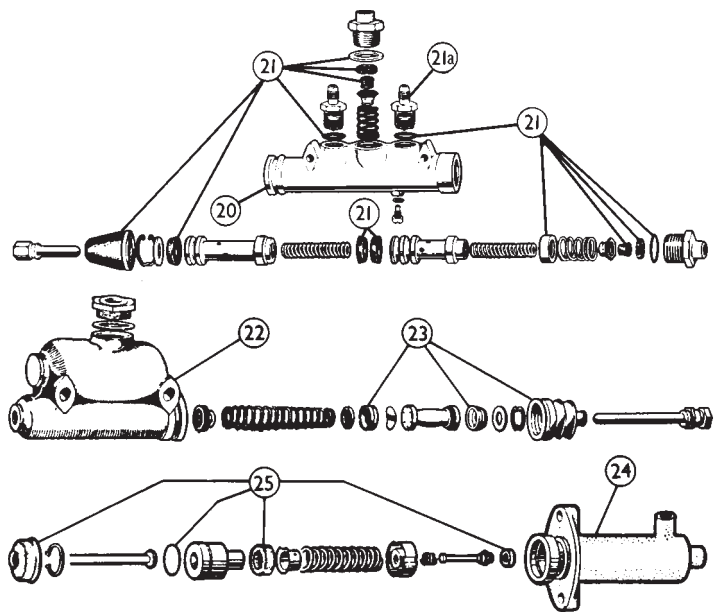
No.	Part No.	Price (each)	Description	Application	Qty. Req.
1	981-173	\$629.95	BRAKE SERVO, replacement (minor mods. required)		1
	510-282	\$119.95	MAJOR KIT	} original servos only	1
	510-284	NA	PACKING KIT, piston		1
	510-283	NA	VALVE KIT, air control		1

2	031-965	NA	SERVO TANK		1
---	---------	----	------------	--	---

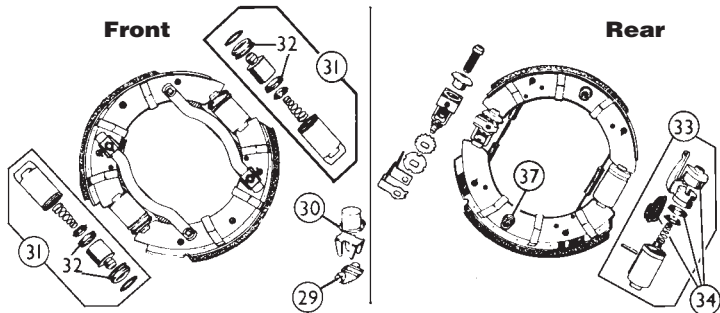


9	011-875	\$129.95	BRAKE ROTOR	XK150 - 150S	4
	011-240	NA	PISTON, front caliper, 2-1/8"	} XK150 - 150S with round disc pads	4
	011-244	NA	PISTON, rear caliper, 1- 5/8"		4
	031-963	NA	PISTON CYL., front, 2-1/8"		4
	031-811	NA	PISTON CYL., rear, 1- 5/8"		4
	181-590	\$299.95	PISTON & CYL., front, 2-1/8"	} XK150 - 150S with square disc pads	4
	011-245	NA	PISTON & CYL., rear, 1-11/16"		4
	031-992	NA	PISTON & CYL., rear, 1-5/8"		4

	181-600	\$56.95	REPAIR KIT, front piston	all 2-1/8" pistons	1
	011-246	NA	REPAIR KIT, rear piston	1-11/16" pistons, square pads	1
	513-240	\$107.95	REPAIR KIT, rear piston	all 1-5/8" pistons	1
	011-257	\$89.95	PAD SET, front & rear	round pad	2
	182-220	\$29.95	PAD SET, front & rear	square pad	2
	182-230	\$149.95	HANDBRAKE PAD SET	XK150 - 150S	1
	011-587	NA	HANDBRAKE CABLE	XK120, ENV axle	1
	011-588	NA	HANDBRAKE CABLE	XK120 - 140, Salisbury axle	1
	011-589	NA	HANDBRAKE CABLE	early XK150	1
	011-595	NA	HANDBRAKE CABLE	late XK150 - 150S	2
	180-860	\$38.45	BRAKE HOSE, ft & rear, 13-1/2"	} XK120 - 140	3
	180-861	\$24.95	BRAKE HOSE, ft & rear, aftermarket		3
	011-248	\$38.45	BRAKE HOSE, front, 15-1/2"	} XK120, tandem	2
	011-605	\$19.95	BRAKE HOSE, front, aftermarket		2
	011-249	\$25.40	BRAKE HOSE, front	} XK150	2
	011-610	\$18.95	BRAKE HOSE, front, aftermarket		2
	180-850	\$39.50	BRAKE HOSE, rear, 11-1/2"	} XK120, tandem	1
	180-851	\$23.95	BRAKE HOSE, rear, aftermarket		1
	513-332	\$22.95	BRAKE HOSE, rear	} XK150	1
	513-333	\$16.95	BRAKE HOSE, rear, aftermarket		1



No.	Part No.	Price (each)	Description	Application	Qty. Req.
Master Cylinders					
20	011-235	NA	MASTER CYLINDER	} late XK120	1
21	510-251	NA	REPAIR KIT (w/o tilt valves)		1
	510-258	NA	REPAIR KIT (with tilt valves)	} tandem system	1
	510-257	\$49.95	TILT VALVE		2
22	011-234	\$339.95	MASTER CYLINDER, standard system	} early XK120 & 140	1
23	510-240	\$21.85	REPAIR KIT, standard system		1
24	011-236	\$240.95	MASTER CYLINDER, standard system	} XK150 - 150S	1
25	513-260	NA	REPAIR KIT,		1
326-340	NA		CLIP, brake line retaining, replacement type		A/R



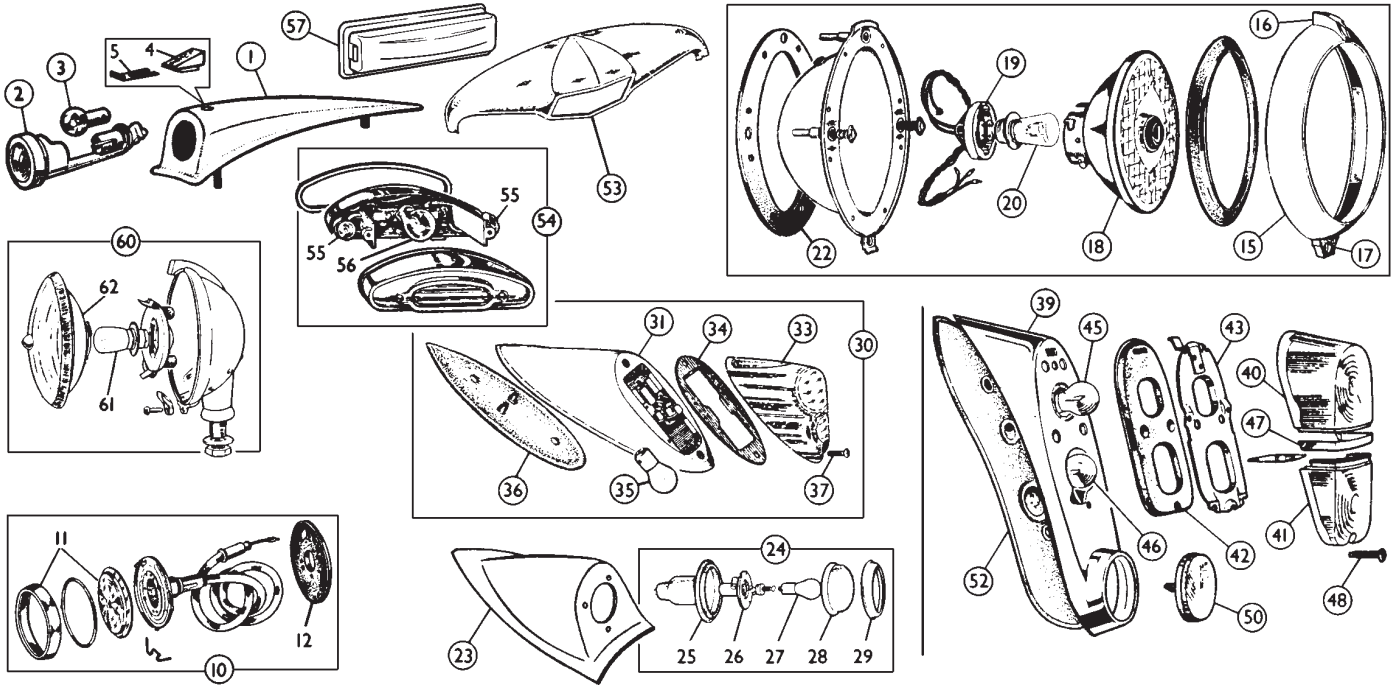
Drum Brakes					
29	180-150	\$28.95	ADJUSTER, front	} early XK120	2
30	180-140	\$6.95	MASK, for adjuster		2
31	011-237	\$124.95	WHEEL CYLINDER, front	} early XK120 (not illus.)	4
	011-238	\$13.65	SEAL, front wheel cylinder		4
	011-239	\$82.50	WHEEL CYLINDER, front, self adj.	XK120 - 140 (illus.)	4
	510-245	\$34.95	REPAIR KIT, front cylinder	all front cylinders	4
	011-242	NA	WHEEL CYLINDER, rear	XK120, ENV axle	2
	011-243	NA	WHEEL CYLINDER, rear	XK120-140, Salisbury axle	2
	510-255	\$17.95	REPAIR KIT, rear cylinder	all rear cylinders	2
	181-340	\$2.95	SPRING, brake shoe steady	XK120 - 140	4



Lockheed Brake Fluid

Recommended for your Jaguar's brake system, this genuine British premium grade brake fluid is supplied in a handy 500 ml. plastic bottle.

220-400 \$4.50



No.	Part No.	Price (each)	Description	Application	Qty. Req.
1	539-055 011-819	\$141.95 NA	HOUSING, chrome parking lamp PAD, parking lamp housing	} early XK120	2 2
2	011-319	NA	LAMP, parking		early XK120, used with chrome housing
	011-320	NA	LAMP, parking	late XK120 thru 150	2
3	170-300	\$0.95	BULB, parking lamp	early XK120	2
	170-700	\$0.90	BULB, parking/flasher lamp	late XK120	2
	170-300	\$0.95	BULB, parking lamp	XK140 - 150	2
4	872-975	\$7.95	MEDALLION, red indicator		2
5	872-970	\$1.40	CLIP, for medallion		2
10	011-324	NA	LAMP, front flasher, clear	} XK140 - 150	2
11	011-325	NA	LENS AND RIM, clear		2
	539-130	NA	LENS AND RIM, amber		2
	011-300	NA	LENS, clear		2
	539-140	NA	LENS, amber		2
	170-800	\$0.95	BULB, flasher lamp		2
12	159-520	\$3.30	PAD, lamp seating		2
15	560-490	NA	RIM, headlamp (#16, 17 not incl.)	XK120	2
	011-331	NA	RIM, headlamp (#16, 17 not incl.)	XK140-150	2
16	011-030	NA	MOTIF, upper, headlamp rim	XK120	2
	011-021	NA	MOTIF, upper, headlamp rim	XK140-150	2
17	011-022	NA	RETAINER, headlamp rim bottom	(all)	2
18	011-867	NA	LIGHT UNIT, original J-light	} XK140 - 150	2
19	011-868	NA	BULB ADAPTOR, J-light		2
	156-870	\$76.95	LIGHT UNIT, 7" tripod		2
	157-000	\$18.95	ADAPTOR, tripod unit		2
	170-600	\$8.40	BULB, tripod unit		2
	171-100	\$3.95	LIGHT UNIT, sealed beam		2
	171-105	\$11.95	LIGHT UNIT, sealed beam, halogen		2
20	170-600	\$8.40	BULB, headlamp, non sealed-beam		2
22	011-805	\$9.95	MOUNTING RUBBER, headlamp	XK120	2
	011-806	\$11.95	MOUNTING RUBBER, headlamp	XK140 - 150	2
23	011-865	NA	HOUSING, tail lamp, L/H	} XK120	1
	011-866	NA	HOUSING, tail lamp, R/H		1
24	143-700	\$26.95	LAMP, stop/tail		2
25	280-520	\$3.75	RUBBER BODY		2
26	158-300	\$14.95	SOCKET		2
27	170-700	\$0.90	BULB		2
28	164-300	\$7.95	LENS		2
29	158-400	\$4.95	CHROME RIM		2
	011-820	\$4.25	PAD, stop/tail lamp housing		2

No.	Part No.	Price (each)	Description	Application	Qty. Req.
30	011-860	NA	LAMP ASS'Y., stop/tail, L/H	}	1
	011-861	NA	LAMP ASS'Y., stop/tail, R/H		1
31	011-059	NA	HOUSING, L/H taillamp	} XK140 - early XK150	1
	011-060	NA	HOUSING, R/H taillamp		1
33	159-200	\$10.95	LENS, Lucas		2
	159-210	NA	LENS, aftermarket		2
34	159-100	\$2.95	PAD, lens		2
35	170-700	\$0.90	BULB	2	
36	011-823	\$5.95	PAD, stop/tail lamp housing	}	2
37	323-420	\$1.85	SCREW, lens fixing		4
39	011-049	NA	HOUSING, L/H taillamp	} late XK150	1
	011-050	NA	HOUSING, R/H taillamp		1
40	031-983	\$16.50	LENS, rear flasher, red		2
	539-150	NA	LENS, rear flasher, amber		2
41	031-984	NA	LENS, stop/tail		2
42	031-051	NA	PAD, lens		2
43	031-863	NA	PLATE, tail lamp lens		2
45	170-800	\$0.95	BULB, flasher		2
46	170-700	\$0.90	BULB, stop/tail		2
47	560-460	NA	CHROME CLIP		2
48	158-000	\$1.90	SCREW, lens fixing	2	
50	560-470	NA	REFLECTOR	2	
52	011-748	NA	PAD, tail lamp housing, L/H	}	1
	011-824	NA	PAD, tail lamp housing, R/H		1
53	011-884	NA	HOUSING, license & back-up lamp	} XK150	1
	011-685	\$7.20	GASKET, back-up lens		1
54	011-680	\$238.95	LAMP, license & back-up	XK120 - 140	1
55	170-100	\$0.90	BULB, license lamp	} XK120 - 150	2
56	170-800	\$0.95	BULB, back-up lamp		1
57	011-832	NA	LAMP, interior	XK150, DHC & FHC	1
	011-297	NA	BULB, interior lamp	all interior lamps	A/R
	171-000	\$0.95	BULB, instrument & warning lamp	for orig. harnesses only	A/R
	170-100	\$0.90	BULB, instrument & warning lamp	for new harnesses only	A/R
60	162-700	\$99.95	DRIVING LAMP ASS'Y., clear lens	} factory option XK140-150	1
	162-800	\$99.95	FOG LAMP, clear/fluted lens		1
61	170-500	\$2.75	BULB, driving lamp		1
	170-510	\$3.75	BULB, fog lamp		1
62	157-200	\$48.95	LENS, clear white		1
	157-100	\$48.95	LENS, clear/fluted	1	

Fog and Driving Lamp Mounting Kit

Factory type mounting kit for fog and spot lamps. Includes special brackets, chrome collars, grommets, etc. Fits all XK140s and 150s.

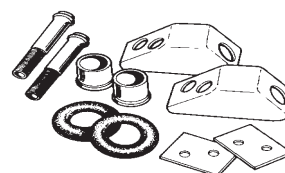
400-158 \$74.95

LOCAL & OVERSEAS: 805-681-3400

FAX: 805-692-2525

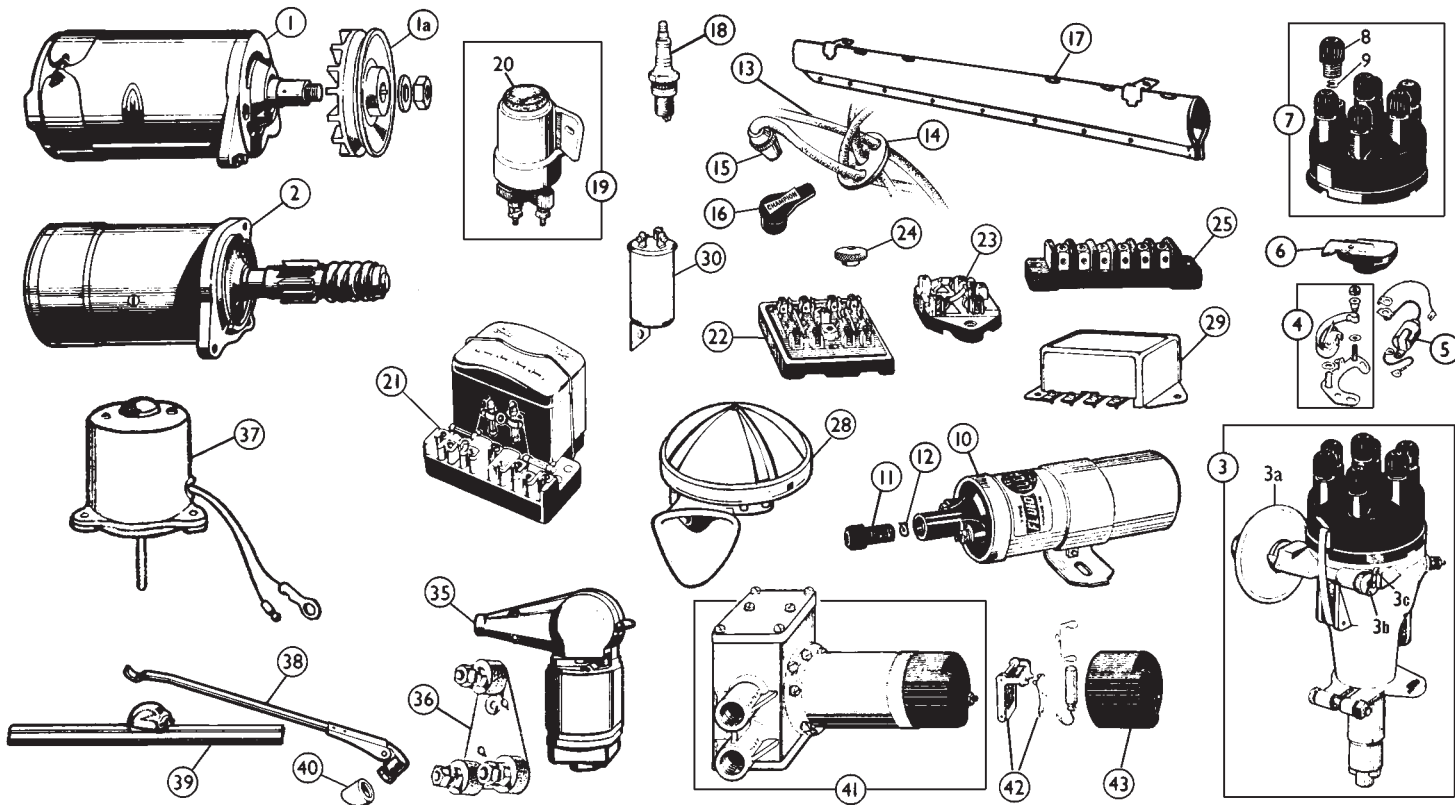
www.mossmotors.com

MOSS



JAG XK

XK Electrical

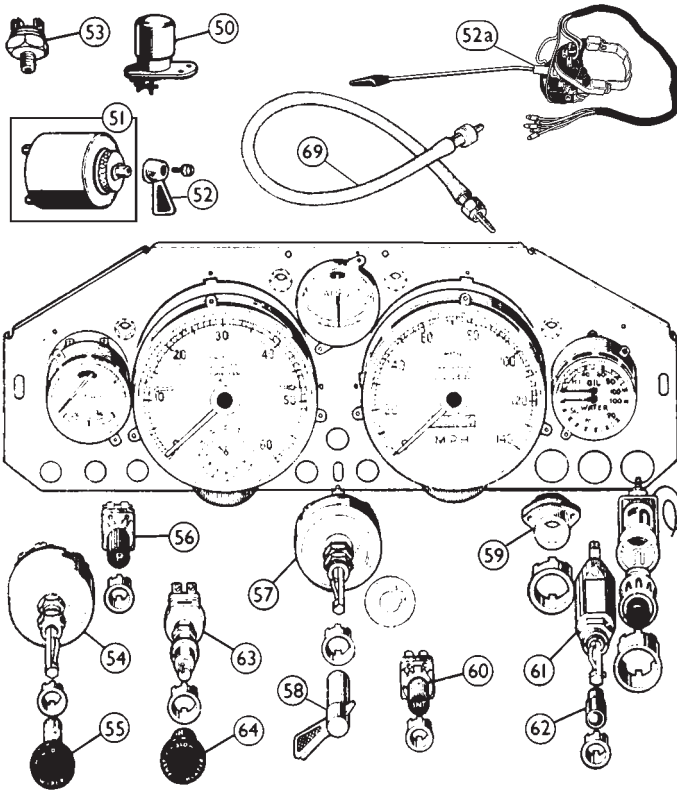


No.	Part No.	Price (each)	Description	Application	Qty. Req.
1	540-350	NA	GENERATOR, rebuilt	XK120 - 150	1
	872-470	\$14.95	BRUSH SET, generator #22429 & 22462	1949 - '58	1
	011-264	NA	BRUSH SET, generator #22496	1959 - '60	1
	011-265	\$12.95	BEARING, generator, commutator end		1
	125-200	\$10.60	BEARING, generator, drive end		1
1a	011-064	NA	FAN/PULLEY	XK120	1
2	011-269	NA	STARTER, #26062, new	standard transmission except early XK120	1
	011-270	NA	STARTER, auto trans., new	XK150	1
	540-400	NA	STARTER, rebuilt	late XK120 - 150, '53 on	1
	149-620	\$25.95	BRUSH SET, starter		1
	149-400	\$2.90	BUSHING, commutator end all standard trans.		1
	549-530	NA	BUSHING, commutator end	XK150, auto trans.	1
	011-275	NA	ARMATURE, starter		1
	150-300	\$4.95	BUSHING, drive end	all standard trans.	1
	011-273	NA	BUSHING, drive end	XK150, auto trans.	1
3	011-261	NA	DISTRIBUTOR	XK150, 8.1:1 engines	1
3a	551-070	NA	VACUUM ADVANCE UNIT	XK150	1
3b	163-735	NA	NUT, adjuster		1
3c	163-740	NA	SPRING, flat		1
	163-730	NA	SPRING, coil		1
4	152-200	\$16.25	POINT SET	XK120 - 140	1
	872-861	\$6.95	POINT SET	XK150	1
5	872-721	\$8.95	CONDENSER	XK120 - 140	1
	154-000	\$3.95	CONDENSER	XK150	1
6	872-795	\$3.95	ROTOR		1
7	872-725	\$39.95	CAP	} XK120 - 140	1
8	152-510	\$0.90	NUT		7
9	146-310	\$0.80	WASHER, brass		7
	872-800	\$39.95	CAP	XK150	1
10	143-200	\$39.95	LUCAS SPORTS COIL (push-on H.T. connection)		1
	543-020	\$26.95	COIL, H.T. screw connection		1
11	152-400	\$1.60	NUT, H.T. lead		1
12	146-310	\$0.80	WASHER, brass		1
13	011-287	\$76.95	IGNITION WIRE SET, with clips, nuts, washers, & separators		1
14	546-160	\$6.65	SEPARATOR, ignition wires, thick		1
	546-170	\$6.50	SEPARATOR, ignition wires, thin		1
15	171-530	\$5.95	CLIP, spark plug		6
16	171-625	\$11.95	CLIP, spark plug, "Champion" (repro.)		6
17	031-923	\$62.95	CARRIER, ignition wires		1
18	152-110	\$2.30	SPARK PLUG, Champion, 1/2" reach	early XK120,	6
	860-051	\$2.30	SPARK PLUG, Champion, 3/4" reach	late XK120 - 150	6

No.	Part No.	Price (each)	Description	Application	Qty. Req.
19	546-020	\$24.95	SOLENOID, starter		1
20	011-749	\$13.95	RUBBER BOOT, starter solenoid		1
21	141-900	\$239.95	REGULATOR, voltage, 9 post	} XK120, 1949 - '54	1
	141-920	\$24.95	COVER, 9 post regulator		1
	142-040	\$26.95	REGULATOR, voltage, 5 post	XK140-150, 1955 - mid '59	1
	872-224	\$56.30	REGULATOR, voltage, aftermarket	XK150 mid 1959 on	1
22	011-800	\$131.95	FUSE BOX, 4 fuse	(all)	1
23	162-500	\$29.95	FUSE BOX, 2 fuse	XK140 - 150	1
24	011-053	NA	KNOB for 4-fuse fuse box	(all)	1
	146-700	\$0.80	FUSE, 35 amp		A/R
	146-800	\$0.95	FUSE, 50 amp		A/R
25	031-860	NA	TERMINAL BLOCK	XK150	1
28	165-700	\$59.95	HORN, high note	} reproduction of original	1
	165-800	\$59.95	HORN, low note		Lucas "Windtone" horns
29	141-400	\$144.95	FLASHER RELAY, 8 terminal		1
30	141-750	\$12.95	FLASHER, original		1
35	546-060	NA	WIPER MOTOR ASS'Y.	} XK120	1
	145-390	NA	MOTOR UNIT w/o gear head		1
	546-080	NA	WIPER MOTOR ASS'Y.	XK150	1
36	011-814	\$29.95	MOUNTING PAD, wiper motor	XK120 - 140	1
37	031-859	NA	HEATER MOTOR	XK150	1
38	011-327	\$12.95	WIPER ARM, R/H	} XK120 - 140, 1949 - '55	1
	011-326	\$12.95	WIPER ARM, L/H		nut type
	011-329	\$12.95	WIPER ARM, R/H	} XK140, 1956 - '57	1
	011-328	\$12.95	WIPER ARM, L/H		spline type
	011-293	NA	WIPER ARM	XK150	2
39	011-289	\$10.95	WIPER BLADE	XK120 - 140	2
	874-615	\$7.60	WIPER BLADE	XK150	2
40	011-024	NA	BEZEL, wiper wheelbox	XK140-150	2
41	377-085	\$326.95	FUEL PUMP, orig. type S.U.	(all)	1/2
	985-505	\$181.95	FUEL PUMP, replacement	(plastic body)	1/2
42	377-080	\$22.95	POINT SET		1/2

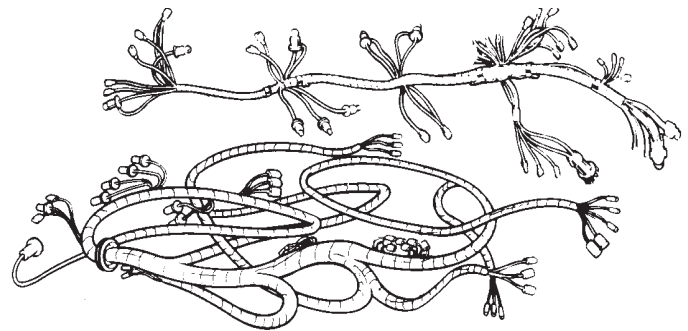
MOSS **MOSS MOTORS, LTD.** TOLL-FREE ORDERS **1-800-667-7872**

No.	Part No.	Price (each)	Description	Application	Qty. Req.
	377-140	\$32.95	DIAPHRAGM, 2 15/16" shaft		1/2
	377-130	\$32.95	DIAPHRAGM, 2 3/8" shaft		1/2
43	377-120	\$8.35	CAP		1/2



No.	Part No.	Price (each)	Description	Application	Qty. Req.
Switches					
50	140-900	\$41.95	SWITCH, headlight dimmer		1
51	162-400	\$154.95	SWITCH, turn signal, on dash	XK140 - 150	1
52	011-063	NA	HANDLE, turn signal switch	XK140 roadster	1
	011-062	NA	HANDLE, turn signal switch	{ XK140 DHC and FHC early XK150 DHC/ FHC late XK150	1
52a	011-294	NA	SWITCH, turn signal (on column)		1
53	141-700	\$9.95	SWITCH, stop light		1
	011-280	NA	SWITCH, wiper	XK120, 1949 - '52	1
	011-296	NA	SWITCH, wiper	XK120, 1953 - '54	1
54	011-282	NA	SWITCH, wiper	XK140 - 150	1
55	011-980	\$9.95	KNOB, wiper switch (plain)	XK120 - 140, 1953 - '57	1
	011-981	\$9.85	KNOB, wiper switch ("HNP")	XK150	1
56	011-280	NA	SWITCH, panel light	XK120, 1949 - '52	1
	011-286	NA	SWITCH, panel light	XK120, 1953 - '54	1
	011-314	NA	SWITCH, panel light	XK140 - 150	1
57	011-288	NA	SWITCH, headlight	XK120, 1949 - '52	1
	011-292	NA	SWITCH, headlight	XK120, 1953 - '54	1
	011-285	NA	SWITCH, headlight	XK140 - 150	1
58	011-061	NA	LEVER, lighting switch	(locking pin hole in side)	1
	011-046	NA	LEVER, lighting switch	(locking pin hole at back)	1
59	031-978	\$69.95	SWITCH, ignition, does not include lock barrel and keys		1
	163-500	\$11.95	BARREL AND KEYS, ignition switch		1
60	031-979	NA	SWITCH, interior light	XK150, DHC and FHC	1
61	542-000	NA	SWITCH, starter, on dash		1
62	550-000	\$5.95	KNOB, starter switch		1

No.	Part No.	Price (each)	Description	Application	Qty. Req.
63	635-180	\$119.95	SWITCH, heater	XK120	1
64	635-205	\$6.35	KNOB, heater switch	push-on type	1
	635-195	\$4.95	KNOB, heater switch	screw type	1
	031-980	NA	SWITCH, overdrive	XK140 - 150	1
69	011-250	NA	CABLE, speedo drive, 65"	XK120 to Jan. '52	1
	011-207	\$22.50	CABLE, speedo drive, 60" standard transmission	} XK120 - 150 from Feb. '52	1
011-208	\$29.95	CABLE, speedo drive, 57"	O/D trans. XK140 - 150	1	
011-209	NA	CABLE, speedo drive, 54"	auto. trans. XK140 - 150	1	
031-856	NA	ANGLE DRIVE, speedo cable	O/D only	1	
011-210	NA	CABLE, tach drive, 24"	XK120 Rd. to May '50	1	
011-211	NA	CABLE, tach drive, 18"	XK120 Rd. from June '50 thru Jan. '52	1	
011-258	\$24.95	CABLE, tach drive, 19"	XK120 Rd. from Feb. '52	1	
011-260	NA	CABLE, tach drive, 16"	XK120, FHC and DHC	1	
011-212	\$19.95	CABLE, tach drive, 21"	XK140 Rd.	1	
011-259	NA	CABLE, tach drive, 13"	XK140, FHC	1	
011-258	\$24.95	CABLE, tach drive, 19"	XK140, DHC	1	
011-214	\$13.95	CABLE, tach drive, 16"	XK150 to mid '59 (late 150s have electric tach.)	1	

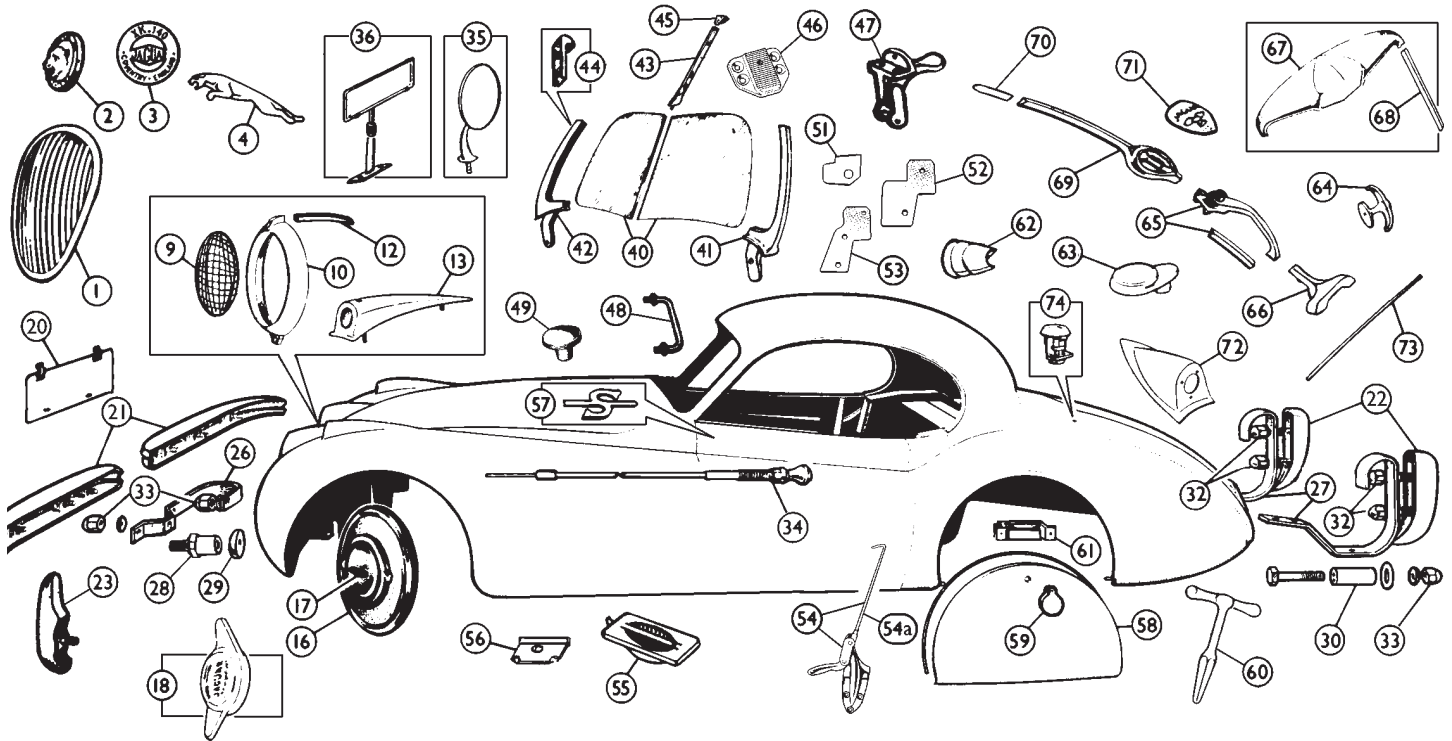


Wiring Harnesses

All of our wiring harnesses now feature original-style braided cloth binding over your choice of original lacquer-braided or PVC-covered individual wires. Both types are color-coded to original specifications, and include required sub-harnesses. (Ignition wires, battery cables, headlamp pigtails and overdrive wiring are not included.)

357-110	NA	WIRING HARNESS (lacquer-braid)	} early XK120 with chrome parking lamps (no turn sig. relay)	1
356-220	\$627.95	WIRING HARNESS (braid/PVC)		1
357-120	\$745.95	WIRING HARNESS (lacquer-braid)	} later XK120 (cars with turn sig. relay)	1
356-230	\$634.95	WIRING HARNESS (braid/PVC)		1
357-130	\$805.95	WIRING HARNESS (lacquer-braid)	} XK140	1
356-240	NA	WIRING HARNESS (braid/PVC)		1
357-140	NA	WIRING HARNESS (lacquer-braid)	} XK150 with single bulb tail lamps	1
356-250	\$744.95	WIRING HARNESS (braid/PVC)		1
357-150	NA	WIRING HARNESS (lacquer-braid)	} XK150 with double bulb tail lamps	1
356-400	NA	WIRING HARNESS (braid/PVC)		1

XK Body Fittings



No.	Part No.	Price (each)	Description	Application	Qty. Req.
1	011-870	NA	GRILLE ASS'Y., exact repro.	XK120	1
	011-416	NA	GRILLE ASS'Y., exact repro.	XK140	1
	011-878	NA	GRILLE ASS'Y., exact repro.	XK150	1
2	011-713	NA	BADGE, hood	XK120	1
3	011-714	NA	BADGE, hood	XK140	1
	601-220	NA	BADGE, hood	}XK150	1
	601-230	NA	CHROME BOSS, hood badge		1
4	011-706	\$75.95	JAGUAR MASCOT	XK150, option	1
9	222-100	\$11.95	STONEGUARDS, pair	(except XK120 with flat tripod lights)	1
10	560-490	NA	RIM, headlamp	XK120	2
	011-331	NA	RIM, headlamp	XK140 - 150	2
12	011-810	\$61.95	MOTIF, headlamp		2
13	539-055	\$141.95	HOUSING, parking lamp, chrome	early XK120	2
16	011-758	NA	HUB CAP, without medallion	}XK120 - 150	4
17	011-759	NA	MEDALLION, hub cap		4
	326-520	\$0.25	SPEED NUT, medallion securing		8
18	011-880	\$74.95	EARED KNOCK-OFF, R/H	}wire wheels	2
	011-881	\$74.95	EARED KNOCK-OFF, L/H		2
20	011-885	NA	MOUNTING PLATE, front license	}XK120	1
21	011-056	NA	BUMPER, front (half)		2
22	011-047	\$214.95	OVERRIDER, rear		2
	011-364	\$237.95	OVERRIDER, L/H rear	}XK140 - early XK150	1
	011-368	\$237.95	OVERRIDER, R/H rear		1
	011-374	\$228.95	OVERRIDER, rear	late XK150	2
23	011-354	NA	OVERRIDER, front	XK140-150	2
26	011-393	NA	BRACKET, front bumper	}XK120	2
27	011-394	NA	BRACKET, rear bumper		2
28	011-731	\$23.95	EXTENSION, threaded		4
29	011-739	\$10.95	WASHER, tapered		4
30	011-737	\$14.95	SPACER, rear bumper		2
32	011-738	\$8.35	BUMPER DOME NUT, small		4
33	011-732	\$9.20	BUMPER DOME NUT, large		6
34	011-600	NA	CABLE, hood release		XK120 - 140
	011-601	NA	CABLE, hood release	XK150	1
35	165-210	\$14.95	FENDER MIRROR, R/H, convex	}repro. of 'small' 4 1/8"	1
	165-300	\$14.95	FENDER MIRROR, L/H, convex		1
	165-400	\$14.95	FENDER MIRROR, R/H, flat		1
	165-500	\$14.95	FENDER MIRROR, L/H, flat		1

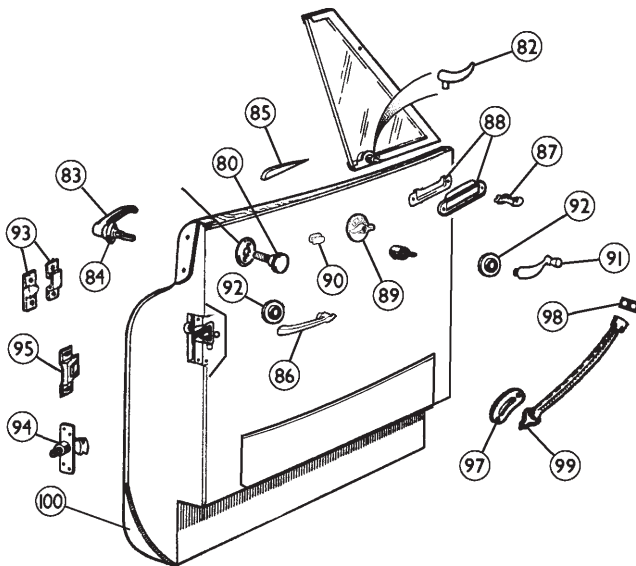
No.	Part No.	Price (each)	Description	Application	Qty. Req.
36	633-550	NA	INTERIOR MIRROR, 4" stem	XK120 rdstr.	1
	633-570	NA	INTERIOR MIRROR, 1" stem	XK120 DHC & FHC	1
	633-580	NA	INTERIOR MIRROR	XK140	1
	011-682	NA	INTERIOR MIRROR	XK150 FHC	1
	011-684	NA	INTERIOR MIRROR	XK150 DHC	1
40	NA	NA	WINDSHIELD	XK120 - 140	1
	011-905	NA	WINDSHIELD	all XK150	1
41	805-280	NA	SIDE PILLAR, windshield, L/H	}XK120 - 140 rdstr.	1
42	805-290	\$360.95	SIDE PILLAR, windshield, R/H		1
43	011-051	NA	CENTER PILLAR, windshield		2
44	805-370	\$41.95	HOOK, windshield side pillars		2
45	011-020	NA	HOOK, windshield center pillar		1
46	011-026	\$45.95	MOUNTING PLATE, side hooks	}XK120-140 DHC	2
	011-025	NA	MOUNTING PLATE, center hook		1
	011-027	NA	MOUNTING PLATE, L/H & R/H	XK150 DHC	2
47	805-345	\$122.95	TOP LATCH, L/H	}XK120 - 140 rdstr.	1
	805-360	\$122.95	TOP LATCH, center		1
	805-345	\$122.95	TOP LATCH, R/H		1
	805-450	NA	TOP LATCH, L/H	}XK120 - 140 DHC	1
	805-470	\$146.95	TOP LATCH, center		1
	805-460	NA	TOP LATCH, R/H		1
	011-037	NA	TOP LATCH, L/H & R/H	XK150 DHC	2
48	011-057	NA	GRAB HANDLE	XK120 - 140 rdstr.	1
	011-019	NA	GRAB HANDLE	XK150	1
49	011-052	NA	KNOB, heater control valve	XK120 - 140	1
51	011-048	\$74.50	FINISHER PAIR, windshield trim	XK120 - 140 DHC	1
52	011-031	NA	FINISHER, bottom of top frame trim, L/H	}XK120 DHC	1
	011-032	NA	FINISHER, bottom of top frame trim, R/H		1
53	011-033	NA	FINISHER, top of B-post trim, L/H	}XK120 DHC	1
	011-034	NA	FINISHER, top of B-post trim, R/H		1
54	011-036	\$201.95	CLAMP, holds top in down position		2
	011-038	NA	CLAMP, holds top in down position, L/H	}XK140-150 DHC	1
	011-039	NA	CLAMP, holds top in down position, R/H		1
54a	011-028	NA	HOOK	all DHC	2
55	011-876	NA	JACK HOLE COVER, black	all models	2
56	011-815	NA	PLATE, floorboard fastener	XK120 - 140	22

MOSS

MOSS MOTORS, LTD. 1-800-667-7872
TOLL-FREE ORDERS

XK Body Fittings

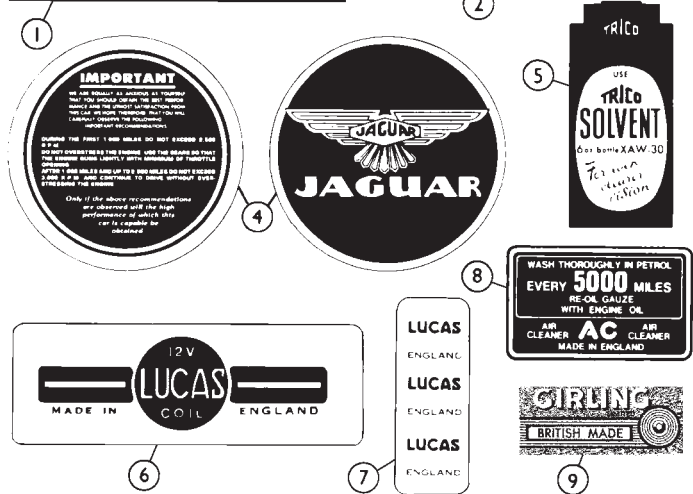
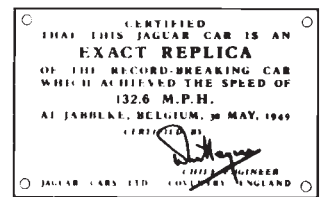
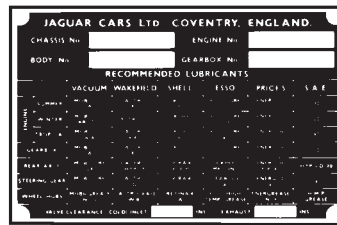
No.	Part No.	Price (each)	Description	Application	Qty. Req.
57	805-320	NA	DOOR BADGE, L/H	} XK150S	1
	805-330	NA	DOOR BADGE, R/H		1
58	856-138	NA	FENDER SKIRTS, pair	} XK120 with disc wheels	1
59	407-510	\$11.95	LOCK COVER, rear fender skirt		2
60	386-810	\$6.95	T-KEY, fender skirt lock		1
61	802-420	\$7.95	LOCK, fender skirt, L/H		1
	802-430	\$7.95	LOCK, fender skirt, R/H		1
62	011-790	\$7.95	END PLUG, cockpit trim	} XK120 - 140 rdstr.	8
63	470-747	\$5.75	TEARDROP RETAINER, top		2
64	011-724	\$59.95	TRUNK HANDLE, w/lock and keys	XK120	1
65	031-977	\$154.95	TRUNK HANDLE, without lock	XK140	1
	011-725	\$112.95	TRUNK HANDLE, without lock	XK150	1
66	011-754	\$157.95	BRACKET, license plate lamp	XK140	1
67	011-884	NA	HOUSING, license plate lamp	} XK150	1
68	805-400	NA	SIDE MOULDING, license plate		2
69	011-879	\$164.95	REAR DECK TRIM	XK140	1
	011-877	NA	REAR DECK TRIM	XK150	1
70	805-440	NA	TRIM, upper piece, 3 1/16" long	XK140 DHC & FHC	1
71	011-712	NA	BADGE, "Winner LeMans 1951-'53"	XK140	1
	601-240	NA	BADGE, rear trunk lid	XK150	1
72	011-865	NA	HOUSING, tail light, L/H	} XK120	1
	011-866	NA	HOUSING, tail light, R/H		1
	011-059	NA	HOUSING, tail light, L/H	} XK150	1
	011-060	NA	HOUSING, tail light, R/H		1
73	805-560	NA	CHROME BEADING, license plate panel	XK140	1
74	805-570	NA	LOCK ASS'Y., fuel filler door, w/ 2 keys	all	1



Door Fittings

80	011-720	\$11.95	KNURLED BOLT, side curtain	XK120 - 140 rdstr.	4
81	011-708	\$6.95	WASHER, knurled clamp bolt		4
82	470-590	\$40.95	HANDLE, vent window, L/H	XK120 - 140 DHC	1
	470-580	\$40.95	HANDLE, vent window, R/H		1
83	805-500*	\$74.95	HANDLE, exterior door	XK120 DHC & FHC & 140 DHC	1
	805-510*	NA	HANDLE, exterior door	XK140 FHC	2
	011-711*	NA	HANDLE, exterior door	all XK150	2
* Note: Supplied without lock assembly.					
84	011-071	NA	ESCUTCHEON, L/H door handle	K120-140 DHC & FHC	1
	011-072	NA	ESCUTCHEON, R/H door handle		1

No.	Part No.	Price (each)	Description	Application	Qty. Req.
85	011-035	NA	FINGER PULL, on doors	XK120 - 140 DHC	2
86	805-310	\$84.95	HANDLE, interior door	XK120 DHC & FHC	2
87	805-480	NA	KNOB, interior door, L/H	} XK140 DHC and FHC, all 150	1
	805-490	NA	KNOB, interior door, R/H		1
88	011-070	NA	ESCUTCHEON SET, door knob		2
89	805-520	NA	KNOB, safety catch, L/H	} XK120 - 140 rdstr.	1
	805-530	NA	KNOB, safety catch, R/H		1
90	011-029	\$26.50	KNOB, door ashtrays	late XK150	2
91	805-430	NA	HANDLE, window winder	XK120 - 150 DHC / FHC	2
92	470-600	\$9.95	ESCUTCHEON, interior handles	XK120 - 140 DHC / FHC	4
93	805-558	\$60.95	STRIKER AND BUFFER (pair)	XK120-140 rdstr.	2
94	805-410	\$184.95	STRIKER, L/H	EKK120 - 140	1
	805-420	\$184.95	STRIKER, R/H	RDHC and FHC	1
95	803-115	\$120.95	STRIKER PLATE, door	} XK120 - 140 rdstr.	2
97	031-052	\$27.95	COVER PLATE, door lock		2
98	011-705	NA	PLATE, interior door lanyard		2
99	011-765	NA	CLIP, door lanyard		2
100	011-055	NA	CRESCENT, door shut face	XK140 - 150	2



Information Plates and Decals

1	011-709	\$27.95	CHASSIS PLATE, brass	XK120 - 140	1
	011-710	\$19.85	CHASSIS PLATE, aluminum	XK150	1
2	011-717	NA	DASH PLAQUE, 132 m.p.h.	XK120, 1950 - '53	1
	011-718	\$19.95	DASH PLAQUE, 141 m.p.h.	XK120 - 140, 1954 on	1
4	011-719	NA	DECAL, running-in instructions	(two sided)	1
5	011-707	\$6.95	DECAL, windshield washer bottle		1
6	215-630	\$2.95	LUCAS COIL DECAL		1
7	215-640	\$3.60	WIRING HARNESS LABEL		1
8	011-716	\$3.95	AC AIR CLEANER DECAL (rectangular)		1/2
	011-715	\$1.95	AC AIR CLEANER DECAL (round)		1/2
9	215-210	\$6.95	GIRLING SHOCK DECAL		A/R

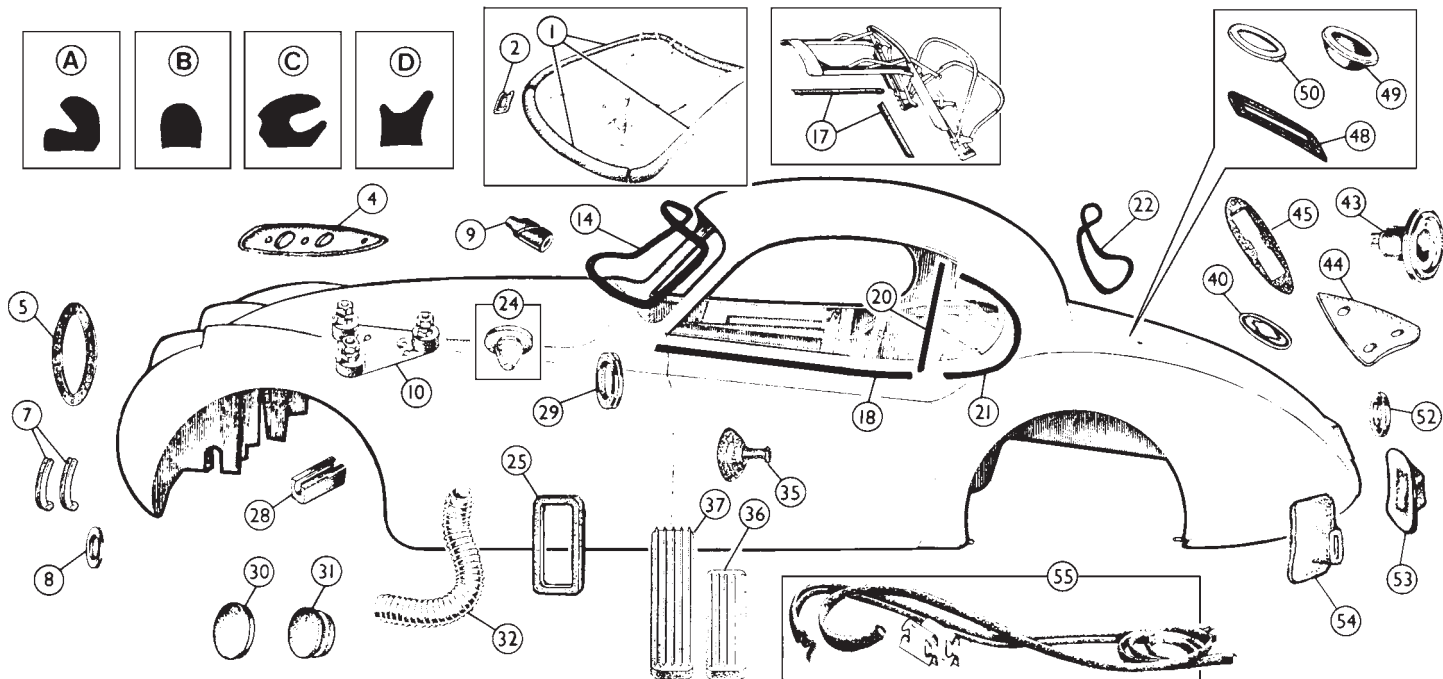


XK150 Washer Bottle Assembly

Absolutely beautiful reproduction of the original bottle, vacuum pump, and mounting bracket will not only help keep your windshield clean, but will add a special finishing touch to your engine compartment.

011-785 \$399.95

XK Rubber

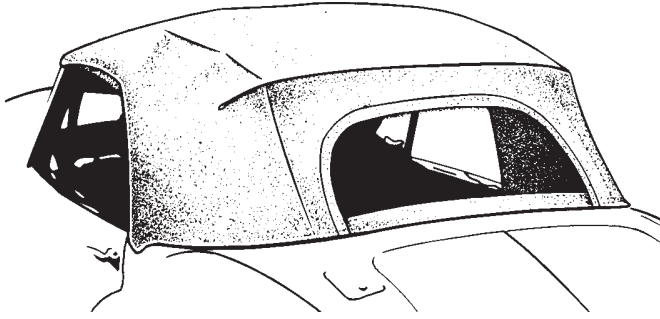


No.	Part No.	Price (each)	Description	Application	Qty. Req.
	011-951*	NA	MASTER GROMMET SET	XK120, 34 pcs.	1
	011-952*	\$159.95	MASTER GROMMET SET	XK140, 44 pcs.	1
	011-953*	\$149.95	MASTER GROMMET SET	XK150, 42 pcs.	1
* MASTER GROMMET SETS – complete sets of grommets for the entire car, including all specialized grommets for firewall, chassis, and body. Kits include detailed lists explaining where all grommets are fitted.					
1	011-744	\$3.75	COCKPIT RUBBER, sold per foot	}XK120 - 140 rdstr.	20
2	011-729	\$11.95	PILLAR PAD, windshield		2
4	011-819	NA	PAD, front fender lamp	early XK120	2
5	011-805	\$9.95	MOUNTING RUBBER, headlamp	XK120	2
	011-806	\$11.95	MOUNTING RUBBER, headlamp	}XK140 - 150	2
7	011-730	\$13.95	VERRIDER BEADING, 8 strips		1
8	011-812	\$5.95	PAD, front bumper taper washer	}XK120	2
9	011-751	\$1.65	GROMMET, w/s wiper shaft		2
10	011-814	\$29.95	MOUNT, wiper motor	XK120 - 140	1
14	011-910	NA	SEAL, windshield	XK120 - 140 DHC & FHC from (c)680497	1
	011-908	NA	SEAL, windshield	XK150	1
	282-485	\$8.95	LOCKING STRIP for w/s seal		1
17	011-817	\$1.95	TOP SEAL, sold per foot	all DHC	A/R
18	011-747	\$7.95	SEAL, door top to window	XK150 rdstr.	2
20	011-742	\$5.95	SEAL, rear door glass frame	all FHC	2
21	680-900	\$35.95	SEAL, rear quarter window, pair	XK140 - 150 FHC	1
22	011-909	NA	SEAL, rear window	XK140 FHC	1
	011-736	\$47.95	SEAL, rear window	XK150 FHC	1
24	011-734	\$1.45	BUFFER, front hood		6/10
25	011-829	\$4.95	SEAL, fender vent	XK120 - early XK150	2
28	681-140	\$4.75	RETAINER, hood prop rod		1
29	681-170	\$8.95	GROMMET, steering column	XK120	1
30	681-160	\$6.95	PLUG, chassis bolt hole	XK140 - 150	4
31	681-150	NA	PLUG, oil press. and temp. lines		1
32	635-030	\$8.95	DEFROSTER HOSE		2
35	011-745	\$2.75	PEDAL GROMMET	XK120	2
	682-060	NA	PEDAL GROMMET	XK140	2
36	011-728	\$10.95	PEDAL PAD, clutch/brake	XK120 - 140	2
	011-750	\$4.95	PEDAL PAD, clutch/brake	XK150	2
37	011-726	\$10.95	PEDAL PAD, gas, 6 3/4" x 1 1/2"	XK120 - 140	1
	011-727	NA	PEDAL PAD, gas, 10" x 1 1/2"	XK150	1
40	011-825	NA	PAD, trunk handle	}XK120	1
43	280-520	\$3.75	BOOT, tail lamp		2
44	011-820	\$4.25	PAD, tail lamp housing		2
	011-823	\$5.95	PAD, tail lamp housing	XK140 - early 150	2

No.	Part No.	Price (each)	Description	Application	Qty. Req.
	011-748	NA	PAD, tail lamp housing L/H	}late XK150	1
	011-824	NA	PAD, tail lamp housing R/H		1
45	159-100	\$2.95	PAD, tail lamp lens	XK140 - early 150	2
48	011-816	\$4.50	SEAL, gas cap door		1
49	682-170	\$2.50	SEAL, fuel tank cap		1
50	011-982	\$2.50	SEAL, fuel tank cap	XK150	1
52	011-818	\$7.95	GROMMET, rear bumper ext. tube	XK120	2
53	011-826	\$3.95	BUMPER GROMMET, inner	}XK140 - 150	2
54	011-828	\$3.95	BUMPER GROMMET, outer		2
55	249-808	\$32.95	DOOR SEAL, black	}XK150	A/R
	249-818	\$32.95	DOOR SEAL, red		A/R
	249-828	NA	DOOR SEAL, fawn		A/R
	249-838	\$31.95	DOOR SEAL, blue		A/R
Note: This is the original style door seal which incorporates separate furlex and neoprene seals with 12 securing clips supplied per yard. Priced and sold by the yard.					
A	011-733*	\$3.95	SEAL, door sill	XK120 - 140 - 150	6
B	011-746*	NA	SEAL, door shut face pillar	XK140 except rdstr.	6
A	011-733*	\$3.95	SEAL, door hinge pillar	}XK120 rdstr. - FHC }XK140 rdstr. - FHC	4
					6
A	011-733*	\$3.95	SEAL, frt. luggage compartment	XK120 rdstr. - FHC	3
B	011-746*	NA	SEAL, windshield to cowl	XK120 - 140 rdstr.	4
C	011-743*	\$4.95	SEAL, trunk lid	}XK120 rdstr. from (c)67001 to (c)674940	9
					9
D	011-741*	\$1.80	SEAL, trunk lid	}XK120 rdstr. from (c)674941 on	9
					9
C	011-743*	\$4.95	SEAL, trunk lid	XK120 FHC - DHC	9
B	011-743*	\$4.95	SEAL, trunk lid	XK140	11
C	011-746*	NA	SEAL, trunk lid	XK150	8

*Note: Extruded rubber seals are priced and sold by the running foot. The number in the quantity column indicates the number of feet required for your car.

XK Tops / Tonneau Covers

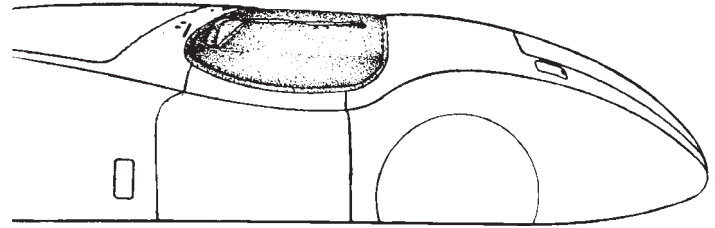


Moss tops and tonneau covers are available in heavy crush-grain vinyl or Robbins "Sun-Fast" canvas. This unique solution-dyed acrylic canvas is extremely fade-resistant, stays soft and flexible under almost all conditions, and is highly resistant to sagging, billowing and shrinking. XK120 and 140 tops are supplied with either heat-welded plastic windows or solid zippered window panels which allow installation of original windows and frames. Our XK120 tops are the later style, mounting approximately twelve inches behind the tonneau rail. The early style XK120 tops that mount about 7 inches behind the tonneau rail are not currently available.

Tops

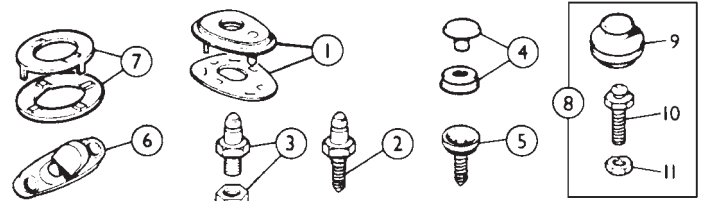
011-462	\$714.95	TOP, black Sun-Fast canvas	} XK120 -140 roadster use with original window zippered panel included	1
011-463	\$714.95	TOP, tan Sun-Fast canvas		1
011-464*	\$459.95	TOP, black vinyl		1
011-385	\$656.95	TOP, black Sun-Fast canvas	} XK120 - 140 roadster replacement type with welded plastic window	1
011-387	\$656.95	TOP, tan Sun-Fast canvas		1
011-380	\$336.95	TOP, black vinyl		1
011-381	\$336.95	TOP, white vinyl		1
011-467	\$584.95	TOP, black Sun-Fast canvas	} XK120 DHC use with original window zippered panel included	1
011-468	\$584.95	TOP, tan Sun-Fast canvas		1
011-469*	\$320.95	TOP, black vinyl		1
011-395	\$609.95	TOP, black Sun-Fast canvas	} XK120 DHC, replacement type XK140 DHC, original type includes large plastic window with zipper	1
011-397	\$609.95	TOP, tan Sun-Fast canvas		1
011-390	\$327.95	TOP, black vinyl		1
011-391	\$327.95	TOP, white vinyl		1
011-405	\$629.95	TOP, black Sun-Fast canvas	} XK150 roadster includes zippered window	1
011-407	\$629.95	TOP, tan Sun-Fast canvas		1
011-400	\$359.95	TOP, black vinyl		1
011-401	\$359.95	TOP, white vinyl		1
011-415	\$629.95	TOP, black Sun-Fast canvas	} XK150 DHC includes zippered window	1
011-417	\$629.95	TOP, tan Sun-Fast canvas		1
011-410	\$359.95	TOP, black vinyl		1
011-411	\$359.95	TOP, white vinyl		1

*Note: These tops include a solid zippered rear window panel so that you may fit your original window and frame for an authentic appearance.



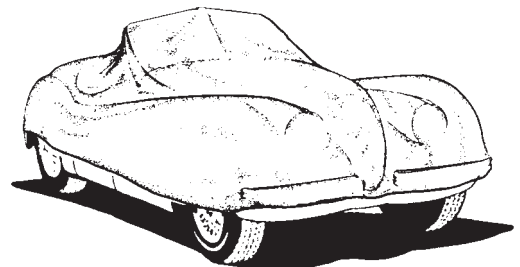
No.	Part No.	Price (each)	Description	Application	Qty. Req.
Tonneau Covers					
011-355	\$619.95	TONNEAU, black Sun-Fast canvas	} XK120 roadster	1	
011-356	\$619.95	TONNEAU, tan Sun-Fast canvas		1	
011-350	\$257.95	TONNEAU, black vinyl		1	
011-351	NA	TONNEAU, white vinyl		1	
011-365	\$619.95	TONNEAU, black Sun-Fast canvas	} XK140 roadster	1	
011-366	\$619.95	TONNEAU, tan Sun-Fast canvas		1	
011-360	\$259.95	TONNEAU, black vinyl		1	
011-361	\$259.95	TONNEAU, white vinyl		1	
011-375	\$632.95	TONNEAU, black Sun-Fast canvas	} XK150 roadster	1	
011-376	\$632.95	TONNEAU, tan Sun-Fast canvas		1	
011-370	\$265.95	TONNEAU, black vinyl		1	
011-371	NA	TONNEAU, white vinyl		1	

Note: We supply short style tonneau covers for XK120 and 140.



Snaps and Studs

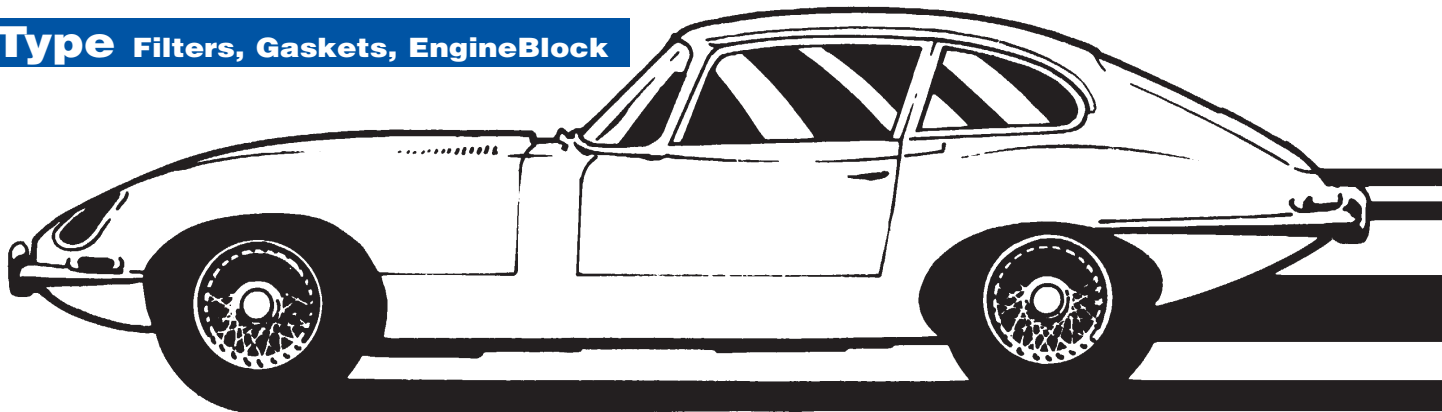
1	226-308	\$1.10	FOUR PRONG SNAP AND PLATE	A/R
2	226-408	\$2.00	SELF TAPPING STUD	A/R
3	226-708	\$1.20	TREADED STUD AND NUT	A/R
4	227-108	\$0.75	BUTTON SNAP	A/R
5	226-800	\$0.55	STUD, for button snap	A/R
6	227-500	\$0.95	TURN BUTTON FASTENER	A/R
7	227-408	\$0.75	EYELET, for turn button	A/R
8	227-808	\$8.95	TENAX FASTENER, with stud and nut	A/R
9	227-600	\$7.50	TENAX FASTENER (genuine "Tenax" brand)	A/R
10	227-700	\$2.50	STUD, without nut	A/R
11	310-040	\$0.20	NUT, for stud	A/R



Car Covers

Custom tailored car covers help protect your valuable Jaguar from dust, dirt, moisture and harmful sunlight. Choose from heavy duty premium flannel (with soft nap on the inside), or quadruple-layered "space-age" Duravent. It's an inexpensive way to preserve the value of your car! (See Accessories section at the front of this catalog for more details.)

Duravent Car Cover	237-490	\$109.95
Flannel Car Cover	238-490	\$149.95



Part No.	Price (each)	Description	Application	Qty. Req.	Notes
----------	--------------	-------------	-------------	-----------	-------

E-Type FILTERS

950-075	\$7.95	OIL FILTER, paper	6cyl 61-71	1	Crosland
950-575	\$6.95	OIL FILTER, paper	6cyl 61-71	1	aftermarket
950-060	\$20.95	OIL FILTER, felt	6cyl 61-71	1	Crosland
950-560	\$10.95	OIL FILTER, felt	6cyl 61-71	1	aftermarket
950-090	NA	OIL FILTER	V12 71-74	1	Crosland
950-590	NA	OIL FILTER	V12 71-74	1	aftermarket
F6493	NA	OIL FILTER	V12 71-74	1	
950-280	\$14.65	AIR FILTER	6cyl 61-68	1	Crosland
950-780	NA	AIR FILTER	6cyl 61-68	1	aftermarket
C17546-AM	\$9.55	GROMMET, air filter	6cyl 61-68	1	
950-250	\$18.95	AIR FILTER	6cyl 69-71	1	Crosland
950-750	\$15.95	AIR FILTER	6cyl 69-71	1	aftermarket
GFE1066	NA	AIR FILTER	V12 71-74	1	O.E.
950-290	NA	AIR FILTER	V12 71-74	1	Crosland
950-790	NA	AIR FILTER	V12 71-74	1	aftermarket
C28080	\$62.95	FUEL FILTER	All E-Type	1	O.E.
C28080-AM	\$11.50	FUEL FILTER	All E-Type	1	Wix

E-Type GASKETS

524-073	\$134.95	GASKET SET, head	3.8 61-64	1	Payen
CG571	\$108.95	GASKET SET, head	4.2 65-68	1	Payen
DJ021	\$113.95	GASKET SET, head	6cyl 69-71	1	Payen
GEG1207	\$253.95	GASKET SET, head	V12 71-74	1	Unipart
522-053	\$62.95	GASKET SET, conversion	3.8 61-64	1	Payen
EG571	\$55.95	GASKET SET, conversion	4.2 65-68	1	Payen
EH690	\$40.95	GASKET SET, conversion	6 cyl 68-71	1	Payen
GEG255-AM	\$19.95	GASKET SET, conversion	6 cyl 68-71	1	Aftermarket
GEG285	\$139.95	GASKET SET, conversion	V12 71-74	1	Unipart
EH831	\$59.95	GASKET SET, conversion	V12 71-74	1	Payen
GEG3310	\$98.95	GASKET, head	6cyl 69-71	1	Unipart
BJ020	\$72.95	GASKET, head	6cyl 69-71	1	Payen
529-214	\$8.60	GASKET, valve cover LH	6cyl 61-71	1	Unipart
529-213	\$8.60	GASKET, valve cover RH	6cyl 61-71	1	Unipart
GEG456	\$6.95	GASKET, valve cover LH	V12 71-74	1	Unipart
EBC9628	\$50.95	GASKET, valve cover LH	V12 71-74	1	OE new design
GEG455	\$6.95	GASKET, valve cover RH	V12 71-74	1	Unipart
EBC9627	\$50.95	GASKET, valve cover RH	V12 71-74	1	OE new design
GEG527	\$9.25	GASKET, pan	4.2 65-71	1	Unipart
GEG560	\$5.15	GASKET, pan lower	V12 71-74	1	Unipart
EBC9623	\$26.95	GASKET, pan lower	V12 71-74	1	OE new design
EBC9637	\$49.95	GASKET, pan upper	V12 71-74	1	OE new design
GEG666	\$10.95	GASKET, intake manifold	4.2 65-71	1	Unipart
GEG686	\$2.45	GASKET, intake manifold (steel)	V12 71-74	12	Unipart
011-621	\$5.45	GASKET, manifold exhaust	4.2 65-71	2	Unipart
GEG688	\$3.70	GASKET, exhaust manifold	V12 71-74	12	Unipart
C28658	\$1.25	GASKET, timing cover	4.2 65-71	1	
EBC9632	\$2.15	GASKET, timing cover LH	V12 71-74	1	
EBC9633	\$1.90	GASKET, timing cover RH	V12 71-74	1	
EBC9625	\$1.10	GASKET, timing cover UPPER	V12 71-74	1	
GEG754	\$2.65	GASKET, exhaust flange	6cyl, V12	2/4	Unipart
011-169	\$1.20	GASKET, breather cover	6cyl 61-71	4	
535-020	\$3.50	SEAL, front crankshaft	6cyl 61-71	1	Black
EAC8815	NA	SEAL, front crankshaft	4.2 65-71	1	Grey
JLM10613	\$101.95	SEAL, front crankshaft	V12 71-74	1	w/spacer & seal
011-205	NA	SEAL, front crankshaft	V12 71-74	1	Black
031-989	\$2.57	SEAL, rear main	All E-Type	2	
C36499	NA	SEAL, rear oil pan	6cyl 61-71	1	
C14991	\$6.90	SEAL, half moon valve cover	6cyl 61-71	1	
C30431	\$8.25	SEAL, half moon valve cover	V12 71-74	2	
C30431-AM	\$1.95	SEAL, half moon valve cover	V12 71-74	2	
C42511	\$2.15	SEAL, oil cap	All E-Type	1	
JLM9710	\$14.95	HYLOSIL, gasket sealer	All E-Type	A/R	White
GGC102	\$18.95	HYLOMAR, gasket sealer	All E-Type	A/R	Blue

Note: -AM suffix on part number indicates after-market part

Part No.	Price (each)	Description	Application	Qty. Req.	Notes
----------	--------------	-------------	-------------	-----------	-------

E-Type ENGINE BLOCK

C40147	\$51.95	CRANKSHAFT SPACER, front	6cyl 68-71	1	
C757	\$1.35	KEY, crankshaft	All E-Type	2	
031-894	\$15.95	ROD BOLT	6cyl 61-71	12	
031-895	\$3.90	ROD NUT	6cyl, V12	12/24	
011-761	\$12.50	DRAIN PLUG, engine	All E-Type	1	
011-762	\$1.60	WASHER, drain plug	All E-Type	1	
C42705	\$1.40	SEAL, dipstick	6cyl 61-71	1	
C11761	\$8.15	STUD, intake/exhaust manifold	6cyl 61-71	12/24	
C30787	\$1.75	NUT, exhaust manifold	6cyl 61-71	A/R	Helicoiled
C29035	\$30.95	STUD, head 6.5'	6cyl 69-71	A/R	OE
031-896	\$10.95	STUD, head 6.5'	6cyl 69-71	A/R	English repro
C23610	NA	STUD, head 6.75'	6cyl 65-71	10	Doweled
C29033	NA	STUD, head 12.5'	6cyl 69-71	7	OE
C29033-AM	\$15.40	STUD, head 12.5'	6cyl 69-71	7	English repro
C32680	NA	STUD, head 2.75'	V12 71-74	12	OE
C32332	NA	STUD, head 4.65'	V12 71-74	4	OE
C32331	NA	STUD, head 4.75'	V12 71-74	4	OE
C32535	\$14.95	STUD, head 7.75'	V12 71-74	10	OE
C32534	NA	STUD, head 8.5'	V12 71-74	10	OE
C16862-8	\$3.25	FREEZE PLUG, block	6cyl 65-71	9	
C16862-5	\$1.75	FREEZE PLUG, block	6cyl 61-71	2	
031-781	\$4.00	FREEZE PLUG, head	6cyl 61-71	2	
C16862-2	NA	FREEZE PLUG, small	6cyl, V12	2/14	6cyl block, V12 head
C15474	\$119.95	TRANSDUCER, oil pressure	6cyl 61-71	1	60lbs
C15474-AM	NA	TRANSDUCER, oil pressure	6cyl 61-71	1	English repro
C31177	\$120.95	TRANSDUCER, oil pressure	V12 71-74	1	
C31177-AM	\$74.50	TRANSDUCER, oil pressure	V12 71-74	1	English repro

E-Type PISTONS RINGS LINERS

011-118	\$123.95	PISTON, w/rings STD 8.0:1	3.8 61-64	6	AE low comp.
011-119	\$123.95	PISTON, w/rings .020 8.0:1	3.8 61-64	6	AE low comp.
011-120	NA	PISTON, w/rings .030 8.0:1	3.8 61-64	6	AE low comp.
011-121	NA	PISTON, w/rings .040 8.0:1	3.8 61-64	6	AE low comp.
011-106	NA	PISTON, w/rings STD 9.0:1	3.8 61-64	6	AE high comp.
011-107	NA	PISTON, w/rings .020 9.0:1	3.8 61-64	6	AE high comp.
011-108	\$124.95	PISTON, w/rings .030 9.0:1	3.8 61-64	6	AE high comp.
011-109	NA	PISTON, w/rings .040 9.0:1	3.8 61-64	6	AE high comp.
21379	\$124.95	PISTON, w/rings STD 8.7:1	4.2 65-71	6	AE high comp.
21379-020	\$124.95	PISTON, w/rings .020 8.7:1	4.2 65-71	6	AE high comp.
21379-030	\$124.95	PISTON, w/rings .030 8.7:1	4.2 65-71	6	AE high comp.
21379-040	NA	PISTON, w/rings .040 8.7:1	4.2 65-71	6	AE high comp.
21380	\$124.95	PISTON, w/rings STD 7.8:1	4.2 65-71	6	AE Stock comp.
21380-020	\$124.95	PISTON, w/rings .020 7.8:1	4.2 65-71	6	AE stock comp.
21380-030	\$124.95	PISTON, w/rings .030 7.8:1	4.2 65-71	6	AE stock comp.
21380-040	\$124.95	PISTON, w/rings .040 7.8:1	4.2 65-71	6	AE stock comp.
18206	\$102.95	PISTON, w/rings STD	V12 71-74	12	AE
SA1771	\$196.95	PISTON & LINER, assy	V12 71-74	12	AE
011-132	\$96.95	RINGS, engine set STD	3.8 61-64	1	
011-133	\$96.95	RINGS, engine set .020	3.8 61-64	1	
011-134	NA	RINGS, engine set .030	3.8 61-64	1	AE
011-135	\$96.95	RINGS, engine set .040	3.8 61-64	1	
R39520	\$144.95	RINGS, engine set STD	4.2 65-71	1	AE, for short skirt
R39520-020	\$144.95	RINGS, engine set .020	4.2 65-71	1	AE, for short skirt
R39520-030	NA	RINGS, engine set .030	4.2 65-71	1	AE, for short skirt
R39520-040	NA	RINGS, engine set .040	4.2 65-71	1	AE, for short skirt
2C4441	NA	RINGS, engine set STD	V12 71-74	1	Hastings
011-142	NA	LINER, engine	3.8 61-64	6	3/32' wall

E-Type Cylinder Head, Transmission

Part No. **Price (each)** **Description** **Application** **Qty.** **Notes**
Req.

E-Type BEARINGS

VP260	NA	BEARINGS, mains STD	3.8 61-64	1	Vandervell
VP260-010	NA	BEARINGS, mains .010	3.8 61-64	1	Vandervell
VP260-020	\$139.95	BEARINGS, mains .020	3.8 61-64	1	Vandervell
VP260-030	NA	BEARINGS, mains .030	3.8 61-64	1	Vandervell
550-066	\$129.95	BEARINGS, mains STD	3.8 61-64	1	AE/Glacier
550-067	\$129.95	BEARINGS, mains .010	3.8 61-64	1	AE/Glacier
011-163	\$129.95	BEARINGS, mains .020	3.8 61-64	1	AE/Glacier
011-164	\$129.95	BEARINGS, mains .030	3.8 61-64	1	AE/Glacier
VP91167	NA	BEARINGS, mains STD	4.2 65-71	1	Vandervell
VP91167-010	NA	BEARINGS, mains .010	4.2 65-71	1	Vandervell
VP91167-020	NA	BEARINGS, mains .020	4.2 65-71	1	Vandervell
VP91167-030	NA	BEARINGS, mains .030	4.2 65-71	1	Vandervell
M7294LC	\$104.95	BEARINGS, mains STD	4.2 65-71	1	AE/Glacier
M7294LC-010	\$104.95	BEARINGS, mains .010	4.2 65-71	1	AE/Glacier
M7294LC-020	NA	BEARINGS, mains .020	4.2 65-71	1	AE/Glacier
M7294LC-030	NA	BEARINGS, mains .030	4.2 65-71	1	AE/Glacier
M7325SB	\$160.95	BEARINGS, mains STD	V12 71-74	1	AE/Glacier
550-061	\$51.95	BEARINGS, rod STD	6 cyl 61-71	1	AE/Glacier
550-062	\$51.95	BEARINGS, rod .010	6 cyl 61-71	1	AE/Glacier
550-063	\$51.95	BEARINGS, rod .020	6 cyl 61-71	1	AE/Glacier
011-156	\$51.95	BEARINGS, rod .030	6 cyl 61-71	1	AE/Glacier
011-157	\$51.95	BEARINGS, rod .040	6 cyl 61-71	1	AE/Glacier
VP907	NA	BEARINGS, cam	6 cyl 61-71	1	Vandervell
550-630	\$86.95	BEARINGS, cam	6 cyl 61-71	1	AE/Glacier
VP180	NA	THRUST, washer set STD	6 cyl 61-71	1	Vandervell
VP125	NA	THRUST, washer set O/S	6 cyl 61-71	1	Vandervell
555-125	\$9.35	THRUST, washer set STD	6 cyl 61-71	1	AE/Glacier
W2186SA	\$12.50	THRUST, washer set O/S	6 cyl 61-71	1	AE/Glacier
W2222SA	\$20.40	THRUST, washer set	V12 71-74	1	AE/Glacier
829-010	\$5.40	BUSHING, con rod	6 cyl 61-71	6	
C29308	\$6.45	BUSHING, con rod	V12 71-74	12	

E-Type CYLINDER HEAD

C3993	\$21.95	TIMING GAUGE	6cyl 61-71	1	
537-112	\$17.50	VALVE, intake	6cyl 61-71	6	
V34356	\$8.60	VALVE, intake	V12 71-74	12	AE
537-092	\$26.95	VALVE, exhaust	6cyl 61-71	6	
V34357	\$11.70	VALVE, exhaust	V12 71-74	12	AE
538-011	\$3.40	GUIDE, intake cast iron	3.8 61-64	6	+007' OD
VAG50914	\$3.40	GUIDE, intake cast iron	4.2 65-71	6	+007' OD
VAG50914BR	\$4.95	GUIDE, intake bronze	4.2 65-71	6	+003' OD
VAG50923	\$3.90	GUIDE, intake/exhaust cast iron	V12 71-74	24	AE
538-017	\$2.95	GUIDE, exhaust cast iron	6cyl 61-71	6	+005' OD
VAG50913BR	\$5.25	GUIDE, exhaust bronze	6cyl 61-71	6	+002' OD
VAG50924	\$4.20	GUIDE, exhaust cast iron	V12 71-74	12	
C7137	\$2.40	SPRING, valve inner	6cyl 61-71	12	
C7136	\$3.65	SPRING, valve outer	6cyl 61-71	12	
539-072	\$39.95	SPRING, valve set	6cyl 61-71	1	AE
C27482	\$3.75	KEEPERS, valve	6cyl, 12cyl	12/24	
EAC5032	\$1.90	SEAL, valve stem (intake only)	6cyl, 12cyl	6/12	OE
EAC5032-AM	NA	SEAL, valve stem (intake only)	6cyl, 12cyl	6/12	Teflon, aftermarket
031-085	\$2.65	VALVE ADJ. SHIM, .085	All 6 cyl	A/R	
031-086	\$2.65	VALVE ADJ. SHIM, .086	All 6 cyl	A/R	
031-087	\$2.65	VALVE ADJ. SHIM, .087	All 6 cyl	A/R	
031-088	\$2.65	VALVE ADJ. SHIM, .088	All 6 cyl	A/R	
031-089	\$2.65	VALVE ADJ. SHIM, .089	All 6 cyl	A/R	
031-090	\$2.65	VALVE ADJ. SHIM, .090	All 6 cyl	A/R	
031-091	\$2.65	VALVE ADJ. SHIM, .091	All 6 cyl	A/R	
031-092	\$2.65	VALVE ADJ. SHIM, .092	All 6 cyl	A/R	
031-093	\$2.65	VALVE ADJ. SHIM, .093	All 6 cyl	A/R	
031-094	\$2.65	VALVE ADJ. SHIM, .094	All 6 cyl	A/R	
031-095	\$2.65	VALVE ADJ. SHIM, .095	All 6 cyl	A/R	
031-096	\$2.65	VALVE ADJ. SHIM, .096	All 6 cyl	A/R	
031-097	\$2.65	VALVE ADJ. SHIM, .097	All 6 cyl	A/R	
031-098	\$2.65	VALVE ADJ. SHIM, .098	All 6 cyl	A/R	
031-099	\$2.65	VALVE ADJ. SHIM, .099	All 6 cyl	A/R	
031-100	\$2.65	VALVE ADJ. SHIM, .100	All 6 cyl	A/R	
031-101	\$2.65	VALVE ADJ. SHIM, .101	All 6 cyl	A/R	
031-102	\$2.65	VALVE ADJ. SHIM, .102	All 6 cyl	A/R	
031-103	\$2.65	VALVE ADJ. SHIM, .103	All 6 cyl	A/R	
031-104	\$2.65	VALVE ADJ. SHIM, .104	All 6 cyl	A/R	
031-105	\$2.65	VALVE ADJ. SHIM, .105	All 6 cyl	A/R	
031-106	\$2.65	VALVE ADJ. SHIM, .106	All 6 cyl	A/R	
031-107	\$2.65	VALVE ADJ. SHIM, .107	All 6 cyl	A/R	
031-108	\$2.65	VALVE ADJ. SHIM, .108	All 6 cyl	A/R	
031-109	\$2.65	VALVE ADJ. SHIM, .109	All 6 cyl	A/R	
031-110	\$2.65	VALVE ADJ. SHIM, .110	All 6 cyl	A/R	
011-940	\$7.00	TAPPET, cam follower	6cyl, 12cyl	12/24	
031-904	\$9.95	TAPPET GUIDE	6cyl 61-71	12	
C7262-AM	\$19.95	TAPPET GUIDE, oversize	6cyl 61-71	12	+015 OD

Part No. **Price (each)** **Description** **Application** **Qty.** **Notes**
Req.

J3842	NA	TAPPET GUIDE HOLD DOWN KIT	6cyl 61-71	1	Does two banks
C35732	\$8.95	DECAL, valve cover	6cyl 61-71	1	
011-148	\$3.90	DOME NUT, valve cover	6cyl 61-71	22	Chromed
EAC3369	\$15.95	DOME NUT, valve cover	6cyl 61-71	14	Dull finish
311-788	\$199.95	DOME NUT KIT, chrome w/washers	6cyl 61-71	1	
C10301	\$0.50	WASHER, cyl head nut	6cyl 61-71	10	Round
011-150	\$4.55	WASHER, cyl head nut	6cyl 61-71	10	D chrome
FW104E	\$0.75	COPPER WASHER, valve cover	6cyl 61-71	22	All copper
324-465	\$1.05	COPPER WASHER, valve cover	6cyl 61-71	22	Copper, chrome
EBC1294	\$0.50	WASHER, valve cover teflon	6cyl 61-71	22	OE
C30075-2	\$1.15	WASHER, cam bearing holder	6cyl, 12cyl	12/24	
C37523	\$4.60	DOME NUT, cyl head	V12 71-74	8	
C32524	\$8.85	DOME NUT, cyl head	V12 71-74	28	
C29419	\$0.50	WASHER, dome nut	V12 71-74	28	
031-909	\$5.80	COPPER WASHER, oil pipe	6cyl 61-71	A/R	At back of head
011-855	\$7.40	DRIVE DOG, rev counter	4.2 65-67	1	

E-Type TIMING CHAINS

600-099	\$14.90	CHAIN, timing lower	6 cyl 61-71	1	
600-105	\$18.95	CHAIN, timing upper	6 cyl 61-71	1	
C29590-AM	\$32.95	CHAIN, timing	V12 71-74	1	
031-918	\$119.95	GEAR, cam	6 cyl 61-71	2	
031-915	\$125.95	GEAR, crankshaft	6 cyl 61-71	1	
031-917	\$222.95	GEAR, idler	6 cyl 61-71	1	
031-916	\$229.95	GEAR, intermediate	6 cyl 61-71	1	
011-139	\$32.95	TENSIONER, timing chain	6 cyl 61-71	1	
C30485	\$341.95	TENSIONER, timing chain	V12 71-74	1	
031-921	\$11.60	RAIL, t/chain upper LH	6 cyl 61-71	1	
031-922	\$11.60	RAIL, t/chain upper RH	6 cyl 61-71	1	
031-919	\$14.95	RAIL, t/chain lower RH	6 cyl 61-71	1	
C20397	NA	LOCKTAB, lower RH	6 cyl 61-71	1	
C21815	\$18.95	RAIL, t/chain lower LH	4.2 65-71	1	
C21831	\$11.25	LOCKTAB, lower LH	4.2 65-71	1	
C29635	\$10.95	RAIL, t/chain LH lower	V12 71-74	1	
C29636	\$35.95	RAIL, t/chain LH upper	V12 71-74	1	
C31068	\$47.65	RAIL, t/chain RH upper	V12 71-74	1	
C33917	\$4.25	LOCKTAB, cam gear	All E-Type	2	
C37925	\$12.95	PLUG, timing cover	V12 71-74	1	

E-Type OIL SYSTEM

011-760	\$130.95	OIL PUMP, assembly	4.2 65-87	1	Must be modified for 3.8
---------	----------	--------------------	-----------	---	--------------------------

E-Type MOUNTS

011-146	\$14.95	MOUNT, engine	6cyl 61-71	2	
C34911	\$29.95	MOUNT, engine	V12 71-74	2	
C20217	\$18.30	MOUNT, rear engine support	6cyl 61-71	2	
C10940	\$2.25	BUSH, rear engine support mount	6cyl 61-71	1	
CBC2517	\$11.95	MOUNT, transmission seat	All E-Type	2	OE
CBC2517-AM	\$3.40	MOUNT, transmission seat	All E-Type	2	Aftermarket
C12265	\$4.95	SPOOL, transmission mount	6cyl 61-71	1	OE
C12265-AM	\$3.85	SPOOL, transmission mount	6cyl 61-71	1	Aftermarket
CAC3227-AM	\$4.20	SPOOL, transmission mount	V12 71-74	1	
C12299	\$41.75	SPRING, transmission mount	6cyl 65-731	1	

E-Type MANUAL GEARBOX

387-260	\$4.95	CLUTCH ALIGNMENT TOOL	61-74	1	
64068754	\$129.95	CYLINDER, clutch master	9/68-74	1	
SP2387	\$25.50	KIT, clutch master cyl	61-74	1	
L4252-364	\$110.95	CYLINDER, clutch slave	61-66	1	
L4252-387	\$99.95	CYLINDER, clutch slave	67-74	1	
180-935	\$4.95	KIT, clutch slave cyl	61-74	1	
021-162	\$20.95	HOSE, slave cylinder	61-74	1	
021-168	\$16.95	HOSE, slave cyl., aftermarket	61-74	1	
HK5228	\$299.95	CLUTCH KIT	6cyl 61-71	1	9.5' Borg&Beck
HK5229	\$369.95	CLUTCH KIT	6cyl 61-71	1	10' Borg&Beck
HK5230	\$399.95	CLUTCH KIT	V12 71-74	1	Borg&Beck
HE2854	\$289.95	PRESSURE PLATE	6cyl 61-71	1	9.5' Borg&Beck
500-080	\$219.95	PRESSURE PLATE	6cyl 61-71	1	10' Borg&Beck
HE2868	NA	PRESSURE PLATE	V12 71-74	1	Borg&Beck
HB2347	\$87.95	DISC, clutch	6cyl 61-71	1	9.5' Borg&Beck
500-100	\$96.95	DISC, clutch	6cyl 61-71	1	10' Borg&Beck
HB1648	\$139.95	DISC, clutch	V12 71-74	1	Borg&Beck
HD3319	\$97.95	T-O, bearing	6cyl 61-71	1	9.5' Borg&Beck
501-023	\$38.95	T-O, bearing	6cyl 61-71	1	10' Borg&Beck
GRB122	NA	T-O, bearing	V12 71-74	1	Borg&Beck

Note: -AM suffix on part number indicates after-market part

LOCAL & OVERSEAS: 805-681-3400

FAX: 805-692-2525

www.mossmotors.com

MOSS

JAG E-TYPE

E-Type Differential, Fuel System

Part No.	Price (each)	Description	Application	Qty. Req.	Notes
031-892	\$7.95	PILOT BUSH	61-74	1	
011-218	\$7.95	SEAL, front transmission	65-74	1	
C21340	\$4.25	SEAL, rear transmission	6 cyl 65-71	1	not 2+2
OS7317	\$3.70	SEAL, rear transmission	6 cyl 2+2 65-71	1	2+2
OS7317	\$3.70	SEAL, rear transmission	V12 71-74,	1	
1012	\$36.95	GASKET SET, transmission	65-74	1	
C22391-AM	\$31.95	SYNCR0, ring	61-74	4	
C39665	\$69.95	LAYSHAFT	65-74	1	
C20491	NA	BEARING, front case	65-74	1	
620-564	\$139.95	BEARING, rear mainshaft	65-71	1	6cyl
866-630	\$25.95	BEARING, tailshaft	V12 71-74	1	
C38573	\$1.15	BEARING, cluster needle	65-74	52	
C25424	NA	BEARING, input needle	65-74	1	
C23109-3	NA	BEARING, needle roller	65-74	332	120=1st 106=2nd/3rd

E-Type AUTOMATIC TRANSMISSION

12598-AM	NA	KIT, filter and gasket	All with auto	1	B/W model 12
10728-1	NA	GASKET, transmission pan	All with auto	1	B/W model 12
12553	NA	SEAL, front pump	All with auto	1	B/W model 12
12549	NA	SEAL, rear transmission	All with auto	1	B/W model 12
461-445	\$4.50	SEAL, speedo pinion	All	1	At speedo gear
EAC8973	\$369.95	FLEXPLATE	All with auto	1	Retrofit, must use items below
031-784	\$25.95	LOCKTAB, flexplate	All with auto	1	For EAC8973
CAC2864	\$11.95	BRUSHES, prndl	All 68-74	1	
141-100	\$25.95	SWITCH, reverse light	All 68-74	1	Detent ball
SMB499-AM	\$11.20	SWITCH, reverse light	All 68-74	1	Intermotor
C20217	\$18.30	MOUNT, rear engine support	6cyl 61-71	1	
C10940	\$2.25	BUSH, rear engine support mount	6cyl 61-71	1	
CBC2517	\$11.95	SEAT, transmission spring	All 68-74	2	OE
CBC2517-AM	\$3.40	SEAT, transmission spring	All 68-74	2	
C12265	\$4.95	SPOOL, transmission mount	6cyl 61-71	1	OE
C12265-AM	\$3.85	SPOOL, transmission mount	6cyl 61-71	1	Inside spring
CAC3227-AM	\$4.20	SPOOL, transmission mount	V12 71-74	1	Aftermarket
C12299	\$41.75	SPRING, transmission mount	6cyl 61-71	1	

E-Type DIFFERENTIAL

011-222	\$43.95	BEARING, carrier	61-92	2	
12252	\$24.95	BEARING, pinion inner	68-74	1	
125-150	\$19.95	BEARING, pinion front	68-74	1	
GHB144	NA	BEARING, stub axle	65-69	4	
12261	NA	BEARING, stub axle	68-74	2	
12456	\$15.95	CRUSH SLEEVE, pinion bearing	68-74	1	
031-954	\$2.35	GASKET, cover	61-74	1	
8950	\$1.20	O-RING, stub axle	61-69	2	
12473	\$1.90	O-RING, stub axle	68-74	2	
535-234	\$21.95	OIL SEAL, pinion	61-74	1	
8436	\$15.95	OIL SEAL, stub axle	61-68	2	
RTC1216	\$12.95	OIL SEAL, stub axle	71-74	2	
C17198	\$31.95	MOUNT, crossmember V-block	61-74	4	

E-Type EXHAUST

6203998	\$73.95	DOWN PIPE, front RH	61-67	1	
6203999	\$73.95	DOWN PIPE, front LH	61-67	1	
5204000	\$179.95	MUFFLER, assy front	61-67	1	Twin pack
6204001	\$25.95	PIPE, intermediate RH	61-67	1	
6204002	\$25.95	PIPE, intermediate LH	61-67	1	
6204003	\$139.95	MUFFLER, rear RH	61-67	1	Chrome with tail pipe
6204004	\$139.95	MUFFLER, rear LH	61-67	1	Chrome with tailpipe
GEG754	\$2.65	GASKET, downpipe	61-67	2	
614-009	\$3.85	MOUNT, front muffler	61-67	4	Straight
614-008	\$2.95	MOUNT, muffler rear	61-67	1	90 degree
6203998	\$73.95	DOWN PIPE, front RH	68-71	1	
6203999	\$73.95	DOWN PIPE, front LH	68-71	1	
5204000	\$179.95	MUFFLER, assy front	68-71	1	Twin pack
6204001	\$25.95	PIPE, intermediate RH	66 only	1	2+2 only
6204002	\$25.95	PIPE, intermediate LH	66 only	1	2+2 only
6204009	\$24.95	PIPE, intermediate RH & LH	67 only	2	2+2 only
6204003	\$139.95	MUFFLER, rear RH	2+2 66-67	1	Chrome with tailpipe
6204004	\$139.95	MUFFLER, rear LH	2+2 66-67	1	Chrome with tailpipe
GEG754	\$2.65	GASKET, downpipe	66-67	2	
614-009	\$3.85	MOUNT, muffler front	66-67	4	Straight
614-008	\$2.95	MOUNT, muffler rear	66-67	2	90 degree
6203998	\$73.95	DOWN PIPE, front RH	68-71	1	
6203999	\$73.95	DOWN PIPE, front LH	68-71	1	
5204000	\$179.95	MUFFLER, assy front	68-71	1	Twin pack
6204009	\$24.95	PIPE, intermediate RH/LH	68-71	2	
6204005	\$136.95	MUFFLER, rear RH	68-71	1	Chrome with tailpipe
6204006	\$136.95	MUFFLER, rear LH	68-71	1	Chrome with tailpipe

Part No.	Price (each)	Description	Application	Qty. Req.	Notes
GEG754	\$2.65	GASKET, downpipe	68-71	2	
614-009	\$3.85	MOUNT, muffler front	68-71	4	Straight
614-008	\$2.95	MOUNT, muffler rear	68-71	1	90 degree
6304007	NA	DOWN PIPE, front	2+2 68-71	1	Twin pack
5204008	NA	MUFFLER, assy front	2+2 68-71	1	Twin pack
6204009	\$24.95	PIPE, intermediate RH	2+2 68-71	1	
6204009	\$24.95	PIPE, intermediate LH	2+2 68-71	1	
6204005	\$136.95	MUFFLER, rear RH	2+2 68-71	1	Chrome with tailpipe
6204006	\$136.95	MUFFLER, rear LH	2+2 68-71	1	Chrome with tailpipe
GEG754	\$2.65	GASKET, downpipe	68-71	2	
614-009	\$3.85	MOUNT, muffler front	68-71	4	Straight
614-008	\$2.95	MOUNT, muffler rear	68-71	2	90 degree
6104010	\$149.95	DOWN PIPE, front RH	V12 71-74	1	
6104011	\$149.95	DOWN PIPE, front LH	V12 71-74	1	
6204013	\$43.95	PIPE, intermediate RH	V12 71-74	1	
6204012	\$43.95	PIPE, intermediate LH	V12 71-74	1	
6104014	\$24.95	PIPE, balance	V12 71-74	1	
5204015	\$86.95	MUFFLER, front RH/LH	V12 71-74	2	
	NA	MUFFLER, rear	V12 71-74	1	2 in 2 out
6404016	\$139.95	MUFFLER, rear	V12 71-74	1	2 in 4 out
GEX1668	NA	TAILPIPE, extension	V12 71-74	1	2 outlet
GEX1667	NA	TAILPIPE, extension	V12 71-74	1	4 outlet
GEG754	\$2.65	GASKET, downpipe	V12 71-74	4	
071-604	\$0.90	MOUNT, rubber o-ring	V12 71-74	4	
GEX7467	\$1.95	MOUNT, muffler rear	V12 71-74	1	

E-type FUEL SYSTEM

C28080	\$62.95	FILTER, fuel	All E-Type	1	
C28080-AM	\$11.50	FILTER, fuel	All E-Type	1	
377-161	\$127.95	FUEL PUMP	3.8, 61-64	1	external replacement
377-161	\$127.95	FUEL PUMP	4.2, 65-71	1	O-rings @ banjos
377-036	\$349.95	FUEL PUMP	V12 71-74	1	Double pump
C19801	\$879.95	TANK, fuel	61-68	1	
360-645	\$14.95	FLOAT, sending unit	All E-Type	1	
TSU101	\$2.50	KIT, seal and clamp	All E-Type	1	
293-410	\$0.95	SEAL, sending unit	All E-Type	1	
360-665	\$1.75	CLAMP, sending unit	All E-Type	1	

E-type CARBURETORS

SAL-1425	\$62.95	KIT, carburetor overhaul	61-68 HD8	3	"British Superior"
SU-524	\$51.95	KIT, carburetor overhaul	61-68 HD8	3	Royze brand
C34388	\$3.20	BUSHING, accelerator	XJ6 68-81	1	At firewall plate
378-330	\$19.95	JET, main .125"	61-68	3	S.U. carb
AUD1467	\$12.85	NEEDLE, metering UM	61-68	3	S.U. carb
011-187	\$18.95	SHAFT, throttle STD	61-68	3	S.U. carb
011-188	\$18.95	SHAFT, throttle O/S	61-68	3	S.U. carb
373-190	\$12.95	BUTTERFLY, carb	61-68	3	S.U. carb
371-055	\$11.95	NEEDLE and SEAT, "Viton" tip	61-68	3	S.U. carb
386-390	\$9.95	NEEDLE and SEAT, grose jet	61-68	3	S.U. carb
370-010	\$18.95	FLOAT, carburetor	61-68	3	S.U. carb
C33059	\$15.95	INSULATOR, carburetor .25"	61-68	3	S.U. carb
C17413	\$9.55	INSULATOR, carburetor .125"	61-68	3	S.U. carb
C17546-AM	\$9.55	GRONNETT, air filter	61-68	1	S.U. carb
AUC8115	\$20.95	DAMPER, dash pot	61-68	3	S.U. carb
386-300	\$24.95	TOOL KIT, S.U. carburetor	61-68	1	S.U. carb
386-400	\$2.75	JET WRENCH, S.U. carburetor	61-68	1	S.U. carb
ZE-19K	\$27.95	KIT, carburetor overhaul	69-71	2	Stromberg
ZE-20K	\$28.50	KIT, carburetor overhaul	V12 71-74	4	Stromberg
366-040	\$3.95	DIAPHRAGM, carb	69-74	2/4	Stromberg
B20287	\$34.95	NEEDLE, metering B1AR	69-71	2	Stromberg
365-370	\$20.95	DAMPER, dash pot	69-74	2/4	Stromberg
696-025	\$1.95	SEAL, throttle shaft	69-74	2	Stromberg
365-505	\$22.95	FLOAT, carburetor	69-74	2/4	Stromberg
365-530	\$10.95	NEEDLE and SEAT	69-74	2	Stromberg
386-350	\$9.95	NEEDLE and SEAT, grose jet	69-74	2	Stromberg
B18536-AM	\$3.65	GASKET, carb float	69-74	2	Stromberg
365-745	\$10.95	DIAPHRAGM KIT, bypass valve	69-74	2	Stromberg
AGU1506	\$0.85	CLIP, choke	69-74	1	Stromberg
386-310	\$9.85	TOOL, carb adjusting	69-74	1	Stromberg
220-225	\$8.95	DAMPER OIL	61-74	A/R	
B20958	\$27.95	NEEDLE, metering B1BH	V12 71-72	4	Stromberg
B22693	\$27.45	NEEDLE, metering B1CK	V12 73-74	4	Stromberg

Part No.	Price (each)	Description	Application	Qty.	Notes Req.
----------	--------------	-------------	-------------	------	------------

E-type WATER PUMPS

WP4100	\$119.95	WATER PUMP, rebuilt	V12 72-74 (E) 7S7785-	1	Casting #P36914
	\$75.00	CORE CHARGE for WP4100			
031-898	\$1.10	GASKET, water pump	6 cyl to 68	1	To eng. #7R1914
C28656	\$1.25	GASKET, water pump	6 cyl 69-71	1	
C29626	\$8.75	GASKET, water pump	V12	1	Pump to block
C36542	\$7.20	GASKET, water pump	V12	1	Pump to base
EAC9805	\$2.95	GASKET, water pump	V12	1	Triangular

E-type V-BELTS & THERMOSTATS

C19524	\$46.95	BELT, fan grooved	3.8 61-64	1	
C24291	NA	BELT, fan grooved	4.2 65-68	1	
GCB10825	\$8.95	BELT, alternator	4.2 69-71	1	Not 60 amp alt
GFB237	NA	BELT, alternator	4.2 69-71	1	60 amp alt
GFB235	NA	BELT, air conditioning	4.2 69-71	1	
GFB234	NA	BELT, power steering	4.2 69-71	1	
GFB231-AM	\$4.10	BELT, alternator	V12 71-74	2	
GCB20813	\$15.95	BELT, air conditioning	V12 71-74	1	
GCB11038	\$8.50	BELT, smog pump	V12 71-74	1	
GFB20825	NA	BELT, power steering	V12 71-74	1	
434-180	\$4.95	THERMOSTAT, 165F (74C)	61-68	1	Summer
434-189	\$4.95	THERMOSTAT, 180F (82C)	61-68	1	
434-190	\$4.95	THERMOSTAT, 190F (88C)	61-68	1	Winter
071-232	\$10.95	THERMOSTAT, 165F (74C)	69-74	1	Summer
071-226	\$6.75	THERMOSTAT, 180F (82C)	69-74	1	
GTS271	\$13.95	THERMOSTAT, 190F (88C)	69-74	1	
011-168	\$2.95	GASKET, thermostat	3.8 61-64	1	
C23234	\$5.95	GASKET, thermostat	4.2 65-68	1	
GTG107	\$1.45	GASKET, thermostat	4.2 69-71	1	
GTG128	\$6.75	GASKET, thermostat	V12 71-74	2	

E-type HOSES

GRH427	\$8.95	HOSE, upper LH	3.8 61-64	1	Tank to radiator
434-427	\$14.55	HOSE, upper	3.8 61-64	1	Tank to t-stat housing
GRH293	\$9.20	HOSE, lower	3.8 61-64	1	
GRH575	\$6.85	HOSE, lower	3.8 61-64	1	Pipe to radiator
834-320	\$8.30	HOSE, bypass	3.8 61-64	1	
C17779-AM	\$6.20	HOSE, heater elbow	3.8 61-64	2	Cut to fit
GRH427	\$8.95	HOSE, upper LH	4.2 65-67	1	Tank to radiator
GRH433	NA	HOSE, lower	4.2 65-67	1	Lower to water pump
GRH579	NA	HOSE, upper RH	4.2 65-67	1	Tank to rh of radiator
GRH577	NA	HOSE, upper	4.2 65-67	1	Tank to t/stat housing
GRH576	\$5.85	HOSE, upper	4.2 65-67	1	Intake to bypass pipe
GRH581	NA	HOSE, upper RH, OE	4.2 65-67	1	Pipe to rh of radiator
011-303	\$3.95	HOSE, upper RH, aftermarket	4.2 65-67	1	Pipe to rh of radiator
GRH575	\$6.85	HOSE, lower	4.2 65-67	1	
C17779-AM	\$6.20	HOSE, heater	4.2 65-67	3	Cut to fit
GRH571	\$23.95	HOSE, upper	4.2 68-71	1	
GRH583	\$35.95	HOSE, lower	4.2 68-71	1	Pipe to radiator
GRH584	\$7.75	HOSE, lower	4.2 68-71	1	Pipe to pump
GRH580	\$8.95	HOSE, bypass	4.2 68-71	1	
C17779-AM	\$6.20	HOSE, heater	4.2 68-71	3	Cut to fit
GRH546	\$18.95	HOSE, radiator upper	V12 71-74	2	Pipe to t/stat
GRH547	\$7.45	HOSE, radiator upper	V12 71-74	2	Radiator to pipe
C41374	\$5.70	HOSE, water pump top	V12 71-74	1	To filler
GRH544	\$2.50	HOSE, radiator LOWER	V12 71-74	1	Radiator to tee pipe
GRH539	NA	HOSE, radiator LOWER	V12 71-74	1	Tee to pipe, elbow hose
GRH539-AM	\$6.95	HOSE, radiator LOWER	V12 71-74	1	Tee to pipe, elbow hose
GRH540	\$21.95	HOSE, radiator LOWER	V12 71-74	1	Pipe to cooler
GRH540-AM	\$8.30	HOSE, radiator LOWER	V12 71-74	1	Pipe to cooler
GRH541	\$59.95	HOSE, radiator LOWER	V12 71-74	1	Cooler to water pump
GRH545	\$22.95	HOSE, radiator LOWER	V12 71-74	1	Tee to header tank
GRH545-AM	\$8.75	HOSE, radiator LOWER	V12 71-74	1	Tee to header tank
EBC4402-1	\$10.55	HOSE, filler pipe bypass	V12 71-74	2	
EBC4402-1-AM	\$1.75	HOSE, filler pipe bypass	V12 71-74	2	
C41092	\$26.95	HOSE, heater	V12 71-74	1	Valve to heater
C41093	\$6.80	HOSE, heater	V12 71-74	1	Heater valve to engine
C41090	\$25.95	HOSE, heater	V12 71-74	1	Valve to pipe

E-type COOLING SYSTEM

583-004	\$5.95	CAP, radiator 7LB	6 cyl. 61-71	1	On expansion tank
202-100	\$4.75	CAP, radiator 13LB	V12 71-74	1	On expansion tank
C8975	\$2.15	BUSH, radiator mount	6cyl 61-71	A/R	
C21512	\$285.95	HEADER TANK	3.8 61-64	1	
C33016	\$309.95	HEADER TANK	V12 71-74	1	
78497	\$259.95	MOTOR, cooling fan	61-74	2	Round unit, must be adapted 61-71
434-350	\$51.95	FAN BLADE, electric motor	61-74	1	Alternative for NLS O.E.
C45086	\$109.95	SWITCH, cooling fan	61-74	1	Requires C45073 lead
C45086-AM	\$28.40	SWITCH, cooling fan	61-74	1	Requires C45073 lead
031-991	\$2.60	GASKET, cooling fan switch	61-74	1	

E-Type Cooling, Steering, Electrical

Part No.	Price (each)	Description	Application	Qty.	Notes Req.
----------	--------------	-------------	-------------	------	------------

E-type HEATER

021-573	\$32.95	VALVE, heater	6cyl 61-71	1	Alt. To original
C17092	\$132.95	CORE, heater matrix	61-71	1	

E-type STEERING

11983	\$68.95	SEAL KIT, steering rack	65-71	1	Power assist only
12690	\$71.95	SEAL KIT, steering rack	V12 71-72	1	-1S20920 Rd, -1S73721 2+2
JS727	\$55.95	SEAL KIT, steering rack	V12 72-74	1	1S20921- Rd, 1S727212
C20087	\$24.95	MOUNT, rack	6cyl 61-67	2	Manual rack only
C23592-3	\$21.95	BUSHING KIT, strg column	62-67	1	Upper and lower bushes
011-585	\$9.60	BOOT, rack	61-72	2	Manual steering
C33417	\$5.65	BOOT, rack	68-74	2	Power steering
SRG828	\$19.95	BOOT KIT, 2 boots & clips	68-74	1	Power steering
011-018	\$11.95	BOOT KIT, 2 boots & clips	68-74	1	Power steering
QR1178S	\$22.95	TIE ROD END, outer	6cyl 61-71	2	Manual steering
GSJ206-AM	\$21.20	TIE ROD END, outer	V12	2	
680-060	\$2.90	BOOT, tie rod end	All E-Type	2	replacement
C37103	\$242.95	STEERING LOCK, assy	V12 71-74	1	W/o switch (39998)
39998	\$69.95	SWITCH, ignition	V12 71-74	1	Can use 39415

E-type EMISSION CONTROLS

C34017	\$84.95	CHECK VALVE	V12	1	
367-110	\$59.95	VALVE, anti run on	V12 71-74	1	

E-type ALTERNATOR/REGULATOR

A1121	NA	ALTERNATOR, rebuilt	4.2 65-69	1	
	NA	CORE CHARGE for A1121			
A1113	\$139.00	ALTERNATOR, rebuilt	4.2 70-71	1	
142-050	\$26.95	VOLTAGE REGULATOR	3.8 61-64	1	Not visually the same as orig. External. Fits A1121, A1112, A1113
NCB144	\$64.95	VOLTAGE REGULATOR	4.2 65-71	1	

E-type STARTER/SOLENOID

S3112	\$204.95	STARTER, rebuilt	3.8 61-64	1	
	\$50.00	CORE CHARGE for S3112			
S3114	\$224.95	STARTER, rebuilt	4.2 65-71	1	
	\$75.00	CORE CHARGE for S3114			
S4541	\$269.95	STARTER, rebuilt	V12 71-74	1	
	\$75.00	CORE CHARGE for S4541			
546-020	\$24.95	SOLENOID, starter	6 cyl. 61-64	1	
TOB159	\$99.95	SOLENOID, starter	6 cyl. 65-71	1	With plunger

E-Type RELAYS

SRB111	\$56.95	RELAY, horn	3.8 61-64	1	
542-235	\$12.95	RELAY, field isolation	4.2 65-71	1	
SRB146	\$72.95	RELAY, antenna	4.2 65-71	1	
542-235	\$12.95	RELAY, cooling fan	4.2 65-71	1	
542-235	\$12.95	RELAY, ignition	4.2 65-71	1	
171-320	\$23.95	RELAY, starter	4.2 65-71	1	Blue
SRB146	\$72.95	RELAY, antenna	V12 71-74	1	
542-235	\$12.95	RELAY, A/C fan override	V12 71-74	1	
SRB146	\$72.95	RELAY, fan motor	V12 71-74	1	
SRB111	\$56.95	RELAY, field isolation	V12 71-74	1	
SRB111	\$56.95	RELAY, heater blower	V12 71-74	1	
SRB111	\$56.95	RELAY, horn	V12 71-74	1	
SRB111	\$56.95	RELAY, ignition	V12 71-74	1	
546-100	\$74.95	RELAY, starter	V12 71-74	1	

E-Type SWITCHES

SMB423	\$13.95	SWITCH, brake light	61-71	1	Hydraulic
542-110	\$9.95	SWITCH, brake light	61-71	1	Aftermarket
542-370	\$5.30	SWITCH, brake light	72-74	1	
31893	\$55.95	SWITCH, choke warning	61-67	1	
39225	\$79.95	SWITCH, headlight	69-70	1	69 cars check # on unit
31893	\$55.95	SWITCH, handbrake warning	61-67	1	
39691	NA	SWITCH, hazard	68-74	1	
34382	NA	SWITCH, headlight	61-67	1	Toggle type
35850	NA	SWITCH, headlight	68-69	1	69 cars check # on unit
39287	\$86.95	SWITCH, headlight	70-74	1	
141-300	\$26.95	SWITCH BODY, ignition	61-67	1	does not incl. lock
163-500	\$11.95	LOCK, ignition switch	61-67	1	
34503	NA	SWITCH, ignition	68-71	1	No steering lock
39679	NA	SWITCH, ignition	71-74	1	Can use 39998

LOCAL & OVERSEAS: 805-681-3400
FAX: 805-692-2525 www.mossmotors.com

MOSS

Note: -AM suffix on part number indicates after-market part

JAG E-TYPE

E-Type Ignition, Suspension

Part No.	Price (each)	Description	Application	Qty.	Notes Req.
C37103	\$242.95	LOCK, ignition	V12 71-74	1	Electrical NOT included
141-100	\$25.95	SWITCH, reverse light	61-74	1	
SMB499-AM	\$11.20	SWITCH, reverse light	61-74	1	
35531	NA	SWITCH, turnsignal	1967	1	
35876	NA	SWITCH, turnsignal	68-71	1	
SPB202	NA	SWITCH, windshield washer	61-67	1	
39234	NA	SWITCH, windshield wiper	69-74	1	

E-Type FLASHERS

171-300	\$7.95	FLASHER, turnsignal	61-70	1	3 prong, #35020
SFB114	\$15.95	FLASHER, turnsignal	71-74	1	2 prong, #35048
141-655	\$7.95	FLASHER, hazard	69-74, XJ6 68-72	1	Aftermarket

E-Type SPEEDO CABLES

C25547	\$209.95	ANGLE DRIVE, trans end	61-74	1	
461-445	\$4.50	SEAL, angle drive at gearbox	68-74	1	

E-Type WIPER-WASHER

361-180	\$19.95	WASHER PUMP	-74	1	Slightly different from OE
165-049	\$25.95	WIPER BLADE	62-64	2	OEM
165-020	\$14.95	WIPER BLADE	65-67	2	OEM

E-Type IGNITION

860-051	\$2.30	SPARK PLUG, Champion	6cyl 61-71	6	
152-130	\$2.30	SPARK PLUG, Champion	V12 71-74	12	
872-861	\$6.95	POINTS	61-62	1	
151-720	\$4.95	POINTS	6cyl 63-71	1	Lucas
153-900	\$4.95	POINTS	6cyl 63-71	1	
151-730	\$4.85	CONDENSER	6cyl 61-71	1	Lucas
154-000	\$3.95	CONDENSER	6cyl 61-71	1	
152-220	\$12.25	KIT, points/condenser	6cyl 63-71	1	Lucas
152-221	\$6.95	KIT, points/condenser	6cyl 63-71	1	Aftermarket
872-790	\$5.95	ROTOR	6cyl 61-71	1	Lucas
872-795	\$3.95	ROTOR	6cyl 61-71	1	
DRB135	\$42.95	ROTOR	V12 71-74	1	Blue epoxy on rotor
DRB135-AM	NA	ROTOR	V12 71-74	1	Blue epoxy on rotor
872-800	\$39.95	CAP	3.8 61-63	1	
DDB115	NA	CAP, screw-in terminals	6 cyl 64-71	1	Lucas
DDB115-AM	\$21.95	CAP, screw-in terminals	6 cyl 64-71	1	
560-125	\$11.95	CAP, push-in terminals	6 cyl 64-71	1	Aftermarket
DDB153	\$51.95	CAP	V12 71-74	1	Lucas, non-vented
DDB153-AM	\$24.20	CAP	V12 71-74	1	Non-vented
HP7004	\$41.95	WIRE SET	6cyl 61-71	1	Push-in terminals
HP7005	\$49.95	WIRE SET	6cyl 61-71	1	Screw terminals
HP1100	\$38.95	WIRE SET	V12 71-74	1	Lucas brand
JLM726-AM	\$86.95	WIRE SET	V12 71-74	1	OEM
031-923	\$62.95	CARRIER, ignition wires	6 cyl 61-71	1	
143-220	\$23.45	COIL	6cyl 61-71	1	Lucas
DLB198	\$52.95	COIL	V12 71-74	1	
47229	\$129.95	BALLAST RESISTOR	V12 71-74	1	
DAB113	\$545.95	AMPLIFIER	V12 71-74	1	
DPB101	\$184.95	PICKUP, module	V12 71-74	1	For retro kit
54417459	NA	LOW TENSION LEAD, w/shield	6cyl 65-74	1	
60600791	NA	TRIGGER UNIT	V12 71-74	1	W/rotor
54423392	\$102.95	TIMING ROTOR	V12 71-74	1	Lucas ignition
560-530	\$79.95	VACUUM UNIT	3.8 1963	1	
54424317	\$249.95	VACUUM UNIT	V12 71-74	1	Check # on old unit
PMA-50	\$424.95	ELECTRONIC IGNITION KIT	All -grnd	1	Lumination nds mtg kit
FK-116	\$34.95	MOUNTING KIT	6 cyl 65-71 - grnd	1	Lumination brand
222-680	\$134.95	ELECTRONIC IGNITION KIT	6 cyl 63-64 + grnd	1	Crane brand, complete
222-680	\$134.95	ELECTRONIC IGNITION KIT	6 cyl 65-71 - grnd	1	Crane brand, complete
XR700	\$129.95	REPLACEMENT POWER UNIT	Various	1	For 222-680 or 222-325
222-665	\$37.95	REPLACEMENT PICKUP	Various	1	For 222-680 or 222-325
222-565	\$127.95	ELECTRONIC IGNITION KIT	6 cyl 63-64 + grnd	1	Pertronix Brand
222-395	\$99.95	ELECTRONIC IGNITION KIT	6 cyl 65-71 - grnd	1	Pertronix Brand

E-Type FRONT SUSPENSION

C20011-AM	\$127.95	SHOCK, front	6cyl 61-71	2	Spax gas on oil
26-258-0	\$124.95	SHOCK, front	6cyl 61-71	2	Boge oil
C35592-AM	\$194.95	SHOCK, front	V12 71-74	2	Spax gas on oil
26-260-0	NA	SHOCK, front	V12 71-74	2	Boge oil
C8672	\$3.75	BUSH, a-frame UPPER	6cyl 61-71	4	
CAC9295	\$24.95	BUSH, a-frame UPPER	V12 71-74	4	
C8673	\$3.30	BUSH, a-frame LOWER	All E-Type	4	

Part No.	Price (each)	Description	Application	Qty.	Notes Req.
C10940	\$2.25	BUSH, sway bar end link	All E-Type	4	Sleeved
C16633-AM	\$3.30	BUSH, sway bar mounting	6cyl 61-71	2	'D' bush
C32925	\$4.95	BUSH, sway bar mounting	V12 71-74	2	'D' bush
C32925-AM	\$5.95	BUSH, sway bar mounting	V12 71-74	2	'D' bush
RTC2203-AM	\$38.95	BALL JOINT, upper	All E-Type	2	
GSJ129	\$89.95	BALL JOINT, lower	All E-Type	2	Multipiece kit
GSJ129-AM	\$39.95	BALL JOINT, lower	All E-Type	2	Multipiece kit
CAC9937	\$64.95	BALL JOINT, lower	All E-Type	2	Sealed 88- design, retro -60
C43216	\$13.50	GAITER, ball joint	All E-Type	4	Upper and lower
C43216-AM	NA	GAITER, ball joint	All E-Type	4	Upper and lower
126-000	\$9.95	BEARING, wheel INNER	All E-Type	2	
126-100	\$7.95	BEARING, wheel OUTER	All E-Type	2	
OS6320	\$4.95	SEAL, wheel	All E-Type	2	
GHK1025	\$39.60	KIT, wheel bearing	All E-Type	2	

E-Type REAR SUSPENSION

C25951-AM	NA	SHOCK, rear	6cyl 61-71	4	Spax, oil
26-259-0	\$72.95	SHOCK, rear	6cyl 61-71	4	Boge, oil
C32061-AM	NA	SHOCK, rear	V12 71-74	4	Spax, low pressure gas Boge
26-261-0	NA	SHOCK, rear	V12 71-74	4	
C18977	\$39.95	SPRING, rear	6cyl 62-71	4	
C32062	NA	SPRING, rear	V12 71-74	4	
C16633-AM	\$3.30	BUSH 'D', sway bar	6cyl	2	If equipped
C10940	\$2.25	BUSH, sway bar end	61-71	2	
C17146	\$8.65	MOUNT, radius arm SMALL	All	2	
C23782	\$29.95	MOUNT, radius arm LARGE	All	2	
C17198	\$31.95	MOUNT, subframe 'V'	All	4	
C40158	\$32.95	REBOUND BUFFER	All	2	
C17008	NA	FULCRUM PIN, wishbone INNER	All	2	
C17663-1	NA	FULCRUM TUBE, wishbone INNER	All	2	
C17168-1	\$26.60	TUBE, wishbone INNER	All	4	
C17167	\$13.95	NEEDLE BEARING, wishbone INNER	All	8	
C17166	\$25.95	WASHER, wishbone INNER	All	8	
C17213	\$3.70	SEAL, wishbone INNER	All	8	
C17936	\$26.95	SEAL RETAINER, wishbone INNER	All	8	
C17165	\$22.65	THRUST WASHER, wishbone INNER	All	8	
C16626-1	\$1.75	SHIM, wishbone OUTER .003	All	A/R	
C16626-2	\$4.25	SHIM, wishbone OUTER .007	All	A/R	
C16623-1	NA	FULCRUM TUBE, wishbone OUTER	All	2	
525-140	\$19.95	ROLLER BEARING, wishbone OUTER	All	4	
C16628	\$35.95	SEAL RETAINER, wishbone OUTER	All	4	
C20180	\$9.95	SEAL SPACER, wishbone OUTER	All	4	
C20178	\$2.40	FELT SEAL, wishbone OUTER	All	4	
C20179	\$26.95	SEAL SHELL, wishbone OUTER	All	4	
C20182	\$23.95	RETAINING WASHER, wishbone OUTER	All	4	
CAC2316	NA	PIVOT PIN, wishbone OUTER	All	2	
GHS170	\$4.95	SEAL, wheel INNER	3.8 61-63	2	3.25 OD, 2.4 ID
OS7605	\$9.65	SEAL, wheel INNER	64-74	2	3.4 OD, 2.9 ID
OS8521	\$7.10	SEAL, wheel OUTER	All	2	
GHB139	\$25.95	BEARING, wheel INNER	All	2	
GHB140	\$26.95	BEARING, wheel OUTER	All	2	
GHK1026	\$79.95	KIT, wheel bearing	All 61-74	2	Requires GHS170 seal for 3.8
GHK1026-AM	NA	KIT, wheel bearing	All 61-74	2	Requires GHS170 seal for 3.8
CBC1784	\$432.95	WHEEL HUB	V12 71-74	2	
C13365	\$12.95	STUD, wheel	All	10	
GUJ111	\$26.95	U-JOINT, axle shaft	All 63-74	4	Not 3.8 E, w/zerk
GUJ111-AM	\$13.95	U-JOINT, axle shaft	All 63-74	4	Not 3.8 E, w/zerk

E-Type DRIVE SHAFT

GUJ125	\$33.95	U-JOINT, driveshaft	3.8 61-64	2	Approx 3200 vehicles
GUJ108	\$18.95	U-JOINT, driveshaft	All	2	
GUJ108-AM	\$10.50	U-JOINT, driveshaft	All	2	

E-Type BRAKES

181-600	\$56.95	CALIPER KIT, front	61-68	1	
SP2517	\$38.95	CALIPER KIT, front	68-71	1	
SP2511	\$108.95	CALIPER KIT, front	V12 71-74	1	
SP2557	NA	CALIPER KIT, rear	61-68	1	
SP2505	\$76.95	CALIPER KIT, rear	68-74	1	1/16" seal groove
583-820	\$1.45	O-RING, square	68-74	2/4	Not included in caliper kit
64967024	NA	MASTER CYLINDER, brake	61-64	1	Upper cyl., rear brk.
64967023	\$99.95	MASTER CYLINDER, brake	61-64	1	Lower cyl., ft. brk.
L4212-556	\$569.95	MASTER CYLINDER, brake	65-74	1	



MOSS MOTORS, LTD. TOLL-FREE ORDERS **1-800-667-7872**

Note: -AM suffix on part number indicates after-market part

E-Type Brakes, Wheels, Bumpers

Part No.	Price (each)	Description	Application	Qty. Req.	Notes
SP9016	NA	KIT, brake master cyl	61-64	2	Upper and Lower cyls
LSSB916	\$30.95	KIT, brake master cyl	65-74	1	
LSSB1032	\$43.65	KIT, reaction valve	65-74	1	
C36606	\$117.95	RESERVOIR, brk/clutch cyl	65-74	2	
C23631	\$79.95	CAP & SWITCH, brk/cl reservoir	65-74	2	
L4258-232	NA	SERVO ASSY, brake assist	4.2 65-71	1	Lockheed
LSSB1068	\$84.95	KIT, servo	65-71	1	
LSSB1069	\$55.95	KIT, servo	V12 71-74	1	
181-590	\$299.95	PISTON & CYL ASSY, front caliper	61-68	4	
64932066	NA	PISTON & CYL ASSY, rear caliper	61-68	4	
SP2570	\$14.50	BLEEDER SCREW, kit	61-68	2	2 screws, 2 balls, 2 caps
582-050	\$2.95	BLEEDER SCREW, front	69-74	2	
180-100	\$3.80	BLEEDER SCREW, rear	69-74	2	
64325561	NA	PISTON, front caliper LARGE	4.2 68-71	2	
582-000	\$19.95	PISTON, front caliper LARGE	4.2 68-71	2	Repro
64325434-AM	\$13.95	PISTON, front caliper SMALL	4.2 68-71	4	Repro
64325438-AM	\$18.25	PISTON, front caliper LARGE	V12 71-74	2	Repro
64325809	NA	PISTON, front caliper SMALL	V12 71-74	4	
64325809-AM	\$18.25	PISTON, front caliper SMALL	V12 71-74	4	Repro
64325436	NA	PISTON, rear caliper	68-74	4	
64325436-AM	\$15.95	PISTON, rear caliper	68-74	4	Repro
GHP93	\$26.95	BRAKE HOSE, front	61-68	2	
011-249	\$25.40	BRAKE HOSE, front	68-74	2	
011-610	\$18.95	BRAKE HOSE, front, aftermarket	68-74	2	
513-332	\$22.95	BRAKE HOSE, rear	61-74	1	Not 2+2
513-333	\$16.95	BRAKE HOSE, rear, aftermarket	61-74	1	Not 2+2
GHP87	\$27.95	BRAKE HOSE, rear	68-74	1	2+2 only
182-220	\$29.95	PAD SET, front	61-68	1	Organic
D52D	\$35.95	PAD SET, front	61-68	1	Deluxe
D52M	NA	PAD SET, front	61-68	1	Metal master
D83	\$39.95	PAD SET, front	65-74	1	Organic
D83D	\$35.45	PAD SET, front	69-74	1	Deluxe
D83M	\$43.95	PAD SET, front	69-74	1	Metal master
182-220	\$29.95	PAD SET, rear	61-68	1	Square, Organic
D52D	\$35.95	PAD SET, rear	61-68	1	Square, Deluxe
D52M	NA	PAD SET, rear	61-68	1	Square, Metal master
D97	\$29.95	PAD SET, rear	68-74	1	Organic
D97D	\$30.95	PAD SET, rear	68-74	1	Deluxe
D97M	\$37.95	PAD SET, rear	68-74	1	Metal Master
JLM1540	\$20.50	PIN KIT, rear pads	68-74	1	Pins and clips
582-020	\$2.95	PIN, brake pad rear	68-74	4	
582-890	\$0.55	CLIP, hairpin	68-74	4	
583-805	\$4.95	STRIPS, anti-squeal	All vehicles	A/R	10 pack
GD8707	NA	HANDBRAKE PAD, set	3.8 61-64	1	
D175	\$28.95	HANDBRAKE PAD, set	65-74	1	
8016	\$17.95	BOLT, handbrake fork	61-74	2	
9750	\$27.95	FORK, handbrake	61-74	2	
9751	\$2.30	LOCKTAB, handbrake fork	61-74	2	
C23484-AM	\$86.95	DISC, front	61-68.5	2	
C27024	NA	DISC, front	4.2 68-71	2	
GR114	\$89.95	DISC, front	V12 71-74	2	
GR114B	\$69.95	DISC, front	V12 71-74	2	Brembo brand
GR114-AM	\$73.95	DISC, front	V12 71-74	2	
C15223	NA	DISC, rear	3.8 61-64	2	
GR112	\$44.95	DISC, rear	65-74	2	Not Dana rear end
SMB423	\$13.95	SWITCH, brake light	61-71	1	Hydraulic, OE Lucas
542-110	\$9.95	SWITCH, brake light	61-71	1	Hydraulic, non-Lucas
39218	NA	SWITCH, brake light	V12 71-74	1	
220-455	\$4.95	BRAKE FLUID, 12 ounce	All cars	A/R	Castrol DOT 4
220-505	\$48.95	BRAKE FLUID, gallon	All cars	A/R	Castrol DOT 4
220-400	\$4.50	BRAKE FLUID, 500ml	All cars	A/R	AP Lockheed DOT 4
011-750	\$4.95	PEDAL PAD	61-74	1	

E-Type ROAD WHEELS

854-370	\$314.95	WIRE WHEEL, chrome	61-67	4	
854-290	\$297.95	WIRE WHEEL, chrome	68-71	4	
854-300	\$297.95	WIRE WHEEL, chrome	V12 71-74	4	
011-880	\$74.95	KNOCKOFF, wire wheel RH	61-67	2	Two eared
011-881	\$74.95	KNOCKOFF, wire wheel LH	61-67	2	Two eared
C28684	\$59.95	KNOCKOFF, wire wheel RH	68-74	2	Non-eared
C28685	\$59.95	KNOCKOFF, wire wheel LH	68-74	2	Non-eared
386-110	\$33.95	WIRE WHEEL HAMMER	61-74	1	2LB copper/rawhide
C28687	\$66.95	KNOCKOFF WRENCH	68-74	1	For non-eared knockoff
031-819	\$5.10	LUG NUT, open ended	V12 71-74	20	Chrome steel wheel
C30283-AM	\$51.95	HUB CAP	V12 71-74	4	Aftermarket, no emblem
C27140	\$34.95	EMBLEM, hub cap	V12 71-74	4	Use C22583 to mount
C22583	NA	CLIP, emblem	V12 71-74	8	Use with C30283

E-Type FRONT BUMPERS, EMBLEMS, FITTINGS

Part No.	Price (each)	Description	Application	Qty. Req.	Notes
BD17700	\$162.95	MOTIF BAR	61-68	1	
BD26762	\$17.25	EMBLEM, rear 'JAGUAR'	61-74	1	Use BD25659 fastener
BD27666	\$17.95	EMBLEM, rear 'E-TYPE'	61-74	1	Use BD25659 fastener
BD26766	NA	EMBLEM, rear '4.2'	65-71	1	Use BD25659 fastener
BD25659	\$1.40	FASTENER, emblem mounting	61-74	A/R	
C19326	\$25.95	BONNET HINGE	61-74	2	
BD20315	\$37.95	SAFETY CATCH, bonnet	61-74	1	
BD19906	NA	LATCH, bonnet LH	61-74	1	
BD19905	\$38.95	LATCH, bonnet RH	61-74	1	
BD19896	\$7.15	PIN, bonnet	61-74	2	
682-015	\$1.75	BUFFER, bonnet	61-74	2	Rubber
BD19246	\$164.95	DOOR HANDLE, outer LH	61-74	1	
BD19245	\$164.95	DOOR HANDLE, outer RH	61-74	1	
803-900	\$13.95	DOOR HANDLE, inner	68-74	2	
BD5366-1	\$8.25	JOINER, moulding	68-74 2+2	2	Chrome
472-555	\$18.95	WINDOW HANDLE, inner	68-74	2	
BD35730	NA	SEAL, head lamp chrome LH	61-74	1	
BD35729	NA	SEAL, head lamp chrome RH	61-74	1	
BD19029-1	\$29.95	MOULDING, fender bead	61-74	2	Chrome
BD19029-2	NA	MOULDING, fender bead	61-74	2	Short chrome
BD20159-1	NA	MOULDING, rear glass UPPER	68-74 2+2	1	
BD20159-2	NA	MOULDING, rear glass LOWER	68-74 2+2	1	

E-Type CONVERTIBLE TOPS

011-471	\$534.95	TOP, black Sun-Fast	61-71	1	fixed window
011-472	\$534.95	TOP, tan Sun-Fast	61-71	1	fixed window
011-476	\$534.95	TOP, black Sun-Fast	61-71	1	zip-out window
011-477	\$534.95	TOP, tan Sun-Fast	61-71	1	zip-out window
011-470	\$269.95	TOP, black vinyl	61-71	1	fixed window
011-475	\$329.95	TOP, black vinyl	61-71	1	zip-out window
011-481	\$566.95	TOP, black Sun-Fast	V12 71-74	1	fixed window
011-482	\$566.95	TOP, tan Sun-Fast	V12 71-74	1	fixed window
011-486	\$566.95	TOP, black Sun-Fast	V12 71-74	1	zip-out window
011-487	\$566.95	TOP, tan Sun-Fast	V12 71-74	1	zip-out window
011-480	\$299.95	TOP, black vinyl	V12 71-74	1	fixed window
011-485	NA	TOP, black vinyl	V12 71-74	1	zip-out window

E-Type LAMPS

144-800	\$69.95	HEADLAMP, assy	67-68	2	
171-100	\$3.95	HEADLAMP, sealed beam	61-68	2	
164-011	\$27.95	HEADLAMP, outer rim	67-68	2	Repro, chromed brass
164-010	\$21.95	HEADLAMP, outer rim	67-68	2	Repl., chromed steel
156-700	\$9.95	HEADLAMP, retainer	61-68	2	
164-060	\$6.95	HEADLAMP, seal	61-68	2	
171-400	\$9.75	HEADLAMP, pigtail	61-68	2	
560-325	\$2.95	HEADLAMP, clip	61-68	2	
552-115	\$6.95	HEADLAMP, trimmer screw kit	61-68	2	
52465	\$275.95	TURN SIGNAL, lamp LH	61-68	1	
52517	NA	TURN SIGNAL, lamp RH	61-68	1	White/amber
54572375	\$79.95	TURN SIGNAL, lens L/R	61-68	2	Clear/clear
54572374	NA	TURN SIGNAL, lens L/R	61-68	2	Amber/clear
54947	NA	REVERSE, lamp	61-68	2	
54581848	NA	REVERSE, lens	61-68	2	
53993	NA	LICENSE PLATE, lamp	61-68	2	
54572372	\$59.95	STOP TAIL, lens LH/RH	61-68	2	Red/amber
54572373	NA	STOP TAIL, lens LH/RH	61-68	2	Red/red
144-800	\$69.95	HEADLAMP, assy	69-74	2	
171-100	\$3.95	HEADLAMP, sealed beam	69-74	2	
164-011	\$27.95	HEADLAMP, outer rim	69-74	2	Repro, chromed brass
164-010	\$21.95	HEADLAMP, outer rim	69-74	2	Repl., chromed steel
156-700	\$9.95	HEADLAMP, retainer	69-74	2	
164-060	\$6.95	HEADLAMP, seal	69-74	2	
171-400	\$9.75	HEADLAMP, pigtail	69-74	2	
560-325	\$2.95	HEADLAMP, clip	69-74	2	
552-115	\$6.95	HEADLAMP, trimmer screw kit	69-74	2	
54579185	\$64.95	TURN SIGNAL, lens FRONT LH	69-74	1	
54579184	\$64.95	TURN SIGNAL, lens FRONT RH	69-74	1	
57208	NA	SIDE MARKER, lamp REAR LH	69-74	1	
57207	\$145.95	SIDE MARKER, lamp REAR RH	69-74	1	
54579191	NA	SIDE MARKER, lens REAR LH	69-74	1	
54579192	\$26.95	SIDE MARKER, lens REAR RH	69-74	1	
144-590	\$29.95	REVERSE, lamp	69-74	2	
164-860	\$11.95	REVERSE, lens	69-74	2	

E-Type MIRRORS

165-500	\$14.95	MIRROR, fender LH	61-67	1	Flat glass, dealer option
165-400	\$14.95	MIRROR, fender RH	61-67	1	Flat glass, dealer option
165-300	\$14.95	MIRROR, fender LH	61-67	1	Convex glass, dealer option
165-210	\$14.95	MIRROR, fender RH	61-67	1	Convex glass, dealer option
223-310	\$24.95	MIRROR, door LH/RH	61-67	1	Flat glass, dealer option
C17757	\$232.95	MIRROR, interior	61-67	1	

LOCAL & OVERSEAS: 805-681-3400

FAX: 805-692-2525

www.mossmotors.com

MOSS

JAG E-TYPE

E-Type Rubber Seals

Part No.	Price (each)	Description	Application	Qty.	Notes
E-Type RUBBER					
BD18947-4	\$13.95	BUMPER, seal FRONT	61-71	1	48" long
011-730	\$13.95	OVERRIDER, seal	ALL	6/8	Override to bumper
280-130	\$5.95	HEADLAMP, seal	61-66	2	Bucket to body
164-050	\$9.95	HEADLAMP, seal	67-74	2	Bucket to body
BD26673	NA	HEADLAMP, seal LH	61-67	1	Outer glass to body
BD26672	NA	HEADLAMP, seal RH	61-67	1	Outer glass to body
BD35730	NA	HEADLAMP MOLDING, seal LH	68-74	1	Open headlamp
BD35729	NA	HEADLAMP MOLDING, seal RH	68-74	1	Open headlamp
54572031	NA	TURN SIGNAL, seal FRONT LH	62-68	1	Lamp to body gasket
54572030	NA	TURN SIGNAL, seal FRONT RH	62-68	1	Lamp to body gasket
54579126	NA	TURN SIGNAL, seal FRONT LH	69-74	1	Lamp to body gasket
54579125	NA	TURN SIGNAL, seal FRONT RH	69-74	1	Lamp to body gasket
RR13	NA	SIDE MARKER, seal	69-74	2	Lamp to body gasket
164-910	\$1.95	SIDE MARKER LENS, seal	69-74	2	Lens to lamp
BD20903-3	NA	BONNET, seal REAR	61-74	1	Rear hood seal
BD37782	NA	HEADER RAIL, seal	61-74 OTS	1	Windscreen to soft top
BD15514	\$64.95	WINDSHIELD, seal	61-71 OTS	1	
BD38958	NA	WINDSHIELD, seal	V12 OTS	1	
BD20499	\$85.95	WINDSHIELD, seal	4.2 61-71 FHC	1	Not 2+2
BD35665	NA	WINDSHIELD, seal	66-69 2+2	1	
BD38957	NA	WINDSHIELD, seal	69-74 2+2	1	
BD48847	\$13.95	WINDSHIELD, insert FRONT	61-74	2	Locking strip
BD25717	NA	A POST, seal LH	61-71 OTS & FHC	1	Not 2+2
BD38233	NA	A POST, seal LH	V12 OTS	1	
BD30301	NA	A POST, seal	61-74 2+2 only	2	
BD25716	NA	A POST, seal RH	61-71 OTS & FHC	1	Not 2+2
BD38232	NA	A POST, seal RH	V12 OTS	2	
BD25899	NA	B POST, seal	61-71 OTS & FHC	2	Shut face
BD25899-AM	\$4.20	B POST, seal	61-71 OTS & FHC	2	Shut face
BD28434-1	NA	B POST, seal	61-74 2+2 only	2	Shut face
BD30303-1	NA	B POST, seal	V12 71-74 OTS	2	Shut face
RR11A	\$11.95	DOOR FRAME, seal OUTER	OTS and FHC	2	Front window
BD21800	NA	CANTRAIL, seal	61-71 OTS	2	Soft top to door seal
RR9	\$14.25	CANTRAIL, seal	61-71 OTS	2	Soft top to door seal
259-907	\$5.95	CANTRAIL, seal	V12 OTS	A/R	Per yard
BD24789	\$34.95	DOOR SILL, seal	61-71	2	Not 2+2
RR3	\$12.50	DOOR SILL, seal	61-71	2	Not 2+2
BD28447-1-AM	\$39.95	DOOR SILL, seal	V12 + 2+2	2	
BD19397-1	NA	WINDOW CHANNEL, seal	61-71 OTS	2	Not 2+2
BD16700	\$12.95	WINDOW SCRAPER, seal	61-71 OTS	2	On door, not 2+2
BD46440-1	\$59.95	WINDOW SCRAPER, seal	71-74 V12 OTS	2	On door against glass
BD21073-4	\$14.95	WINDOW SCRAPER, seal	61-74 2+2 only	2	On door
BD20010-4	NA	WINDOW, seal INNER	All	2	Fuzzies against door glass
BD20500-4	NA	QUARTER LIGHT, seal	61-74 FHC & 2+2	2	
RR12	NA	QUARTER LIGHT, seal to post	61-74 FHC & 2+2	4	
RR14	NA	SIDE MARKER, seal	69-74	2	Lamp to body gasket
164-910	\$1.95	SIDE MARKER LENS, seal	69-74	2	Lens to lamp
54572062	NA	STOP TAIL, seal LH	61-68 OTS	1	Tail lamp to body gasket
54571935	NA	STOP TAIL, seal RH	61-68 OTS	1	Tail lamp to body gasket
54573000	NA	STOP TAIL, seal LH	61-68 FHC & 2+2	1	Lamp to body gasket
54573001	NA	STOP TAIL, seal RH	61-68 FHC & 2+2	1	Lamp to body gasket
54580127	NA	STOP TAIL, seal	69-74	1	Lamp to body gasket
BD20309	\$85.95	REAR WINDOW, seal	FHC and 2+2	1	
BD48847	\$13.95	REAR WINDOW, insert	61-74	2	Locking strip
BD33417-1	\$61.95	TRUNK LID, seal	61-74 OTS	1	
BD23347-AM	\$48.80	TRUNK LID, seal	FHC and 2+2	2	
BD18947-4	\$13.95	BUMPER, seal REAR	61-68, 71-74 V12	1	48" long, not Series II
858-380	NA	BUMPER, seal REAR	69-71, 6cyl	1	Series II only, 1' wide
011-730	\$13.95	OVERRIDER, seal		A/R	Override to bumper
BD27500	NA	SHIFT BOOT	61-71	1	Rubber boot
BD29420	NA	SHIFT BOOT	V12 71-74	1	Rubber boot

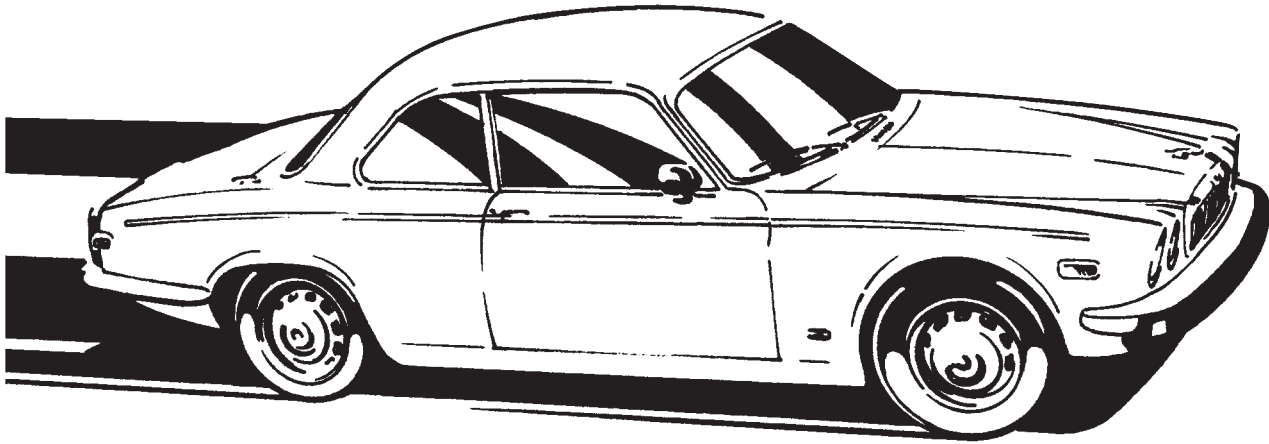
E-Type Chassis Numbers

Model Year	Model	Starting #
1961-64	E-Type 3.8 Rdstr	875001
	E-Type 3.8 Coupe	885001
1965-67	E-Type 4.2 Rdstr	1E10001
	E-Type 4.2 Coupe	1E30001
	E-Type 4.2 2+2	1E750001
1968	E-Type Roadster	1E15980
	E-Type Coupe	1E34583
	E-Type 2+2	1E77709
1969	E-Type Roadster	1R7001
	E-Type Coupe	1R25001
	E-Type 2+2	1R40001
1970	E-Type Roadster	1R11052
	E-Type Coupe	1R27051
	E-Type 2+2	1R42850
1971	E-Type Roadster	2R13716
	E-Type Coupe	2R28084
	E-Type V-12 2+2	1S70001
1972	E-Type V-12 2+2	1S72335
	E-Type V-12 Rdstr	1S20103
1973	E-Type V-12 2+2	UD1S 73856
	E-Type V-12 Rdstr	UD1S 21029
1974	E-Type V-12 Rdstr	UE1S 23240

Note: OTS = Open Two Seater = roadster

FHC=Fixed Head Coupe

-AM suffix on part number indicates after-market part

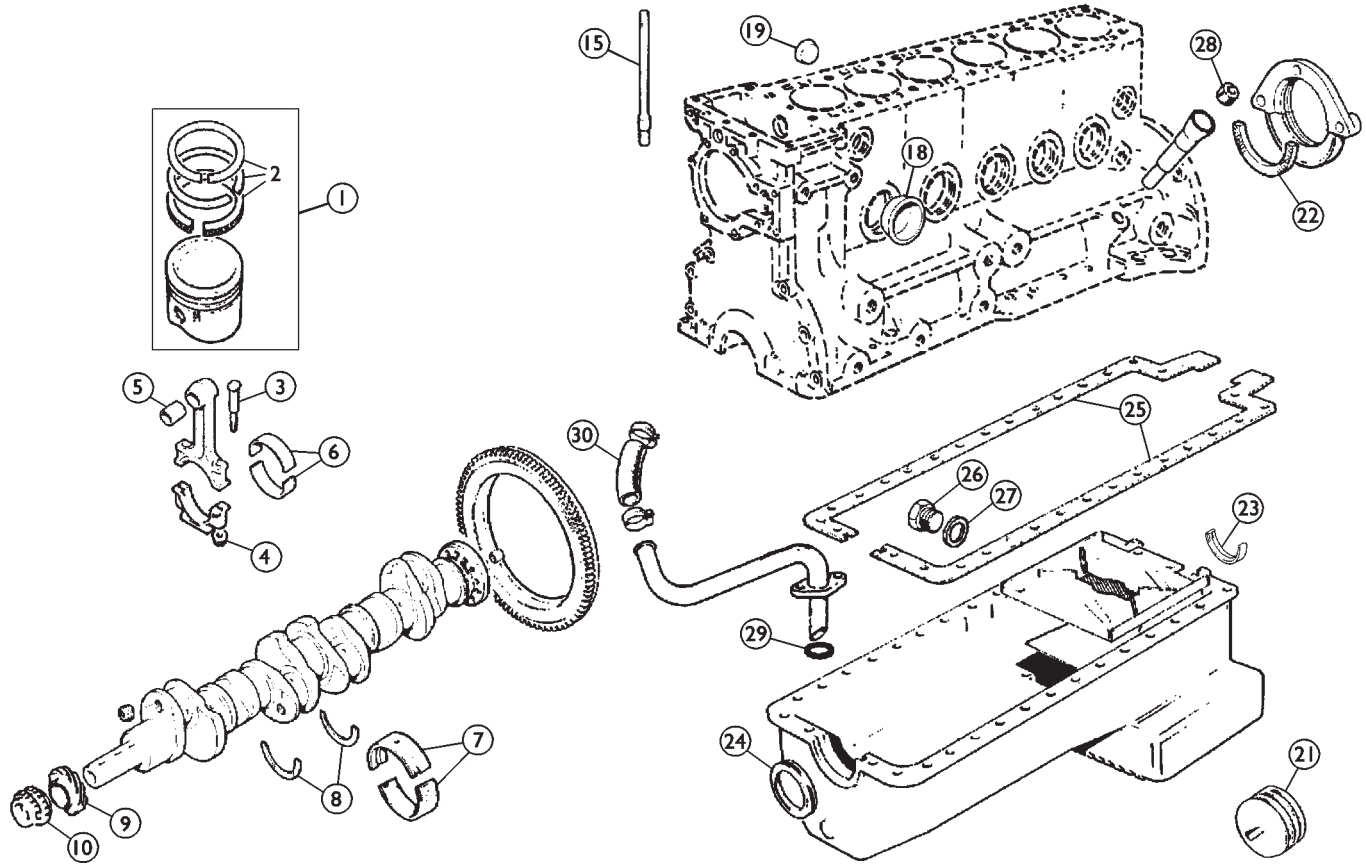


XJ6 & XJ12 Chassis Numbers through 1987

Model Year	Model	Starting #
1969	XJ6	1L50001
1970	XJ6	1L53203
1971	XJ6	1L55686
1972	XJ6	1L64129
1973	XJ6 XJ12	UD1L 699088W UD1P 50153
1974	XJ6 XJ6L XJ12	UE2N 50001BW UE2T 50093BW UE2R 50001BW
1975	XJ6L XJ12 XJ12C	UF2T 54779 UF2R 53930BW UF2G 50060BW
1976	XJ6L XJ12 XJ12C	UG2T 56746BW UG2R 54264BW UG2G 50426BW
1977	XJ6L XJ12	UH2T 63599 UH2R 56786
1-'78 to 6-'78	XJ6L XJ12	UJ2T 69541 UJ2R 58421BW

7-'78 on	XJ6L XJ12	JAVLN48C 100001 J8VLV48C 100001
1979	XJ6L XJ6	JAVLN49C 100749 JAVLN49C 300001
1980	XJ6	JAVLN4AC 310676
1981	XJ6	SAJAVLN4BC 320092
1982	XJ6 XJ6 Vanden Plas	SAJAVLN4CC 330273 SAJAYLN4CC 330273
1983	XJ6 XJ6 Vanden Plas	SAJAV134DC 346688 SAJAY134DC 346688
1984	XJ6 XJ6 Vanden Plas	SAJAV134EC 366290 SAJAY134EC 366290
1985	XJ6 XJ6 Vanden Plas	SAJAV134FC 389879 SAJAY134FC 389879
1986	XJ6 XJ6 Vanden Plas	SAJAV134GC 431604 SAJAY134GC 431604
1987	XJ6 XJ6 Vanden Plas	SAJAV134HC 461709 SAJAY134HC 461709

XJ6 Engine - Bottom End

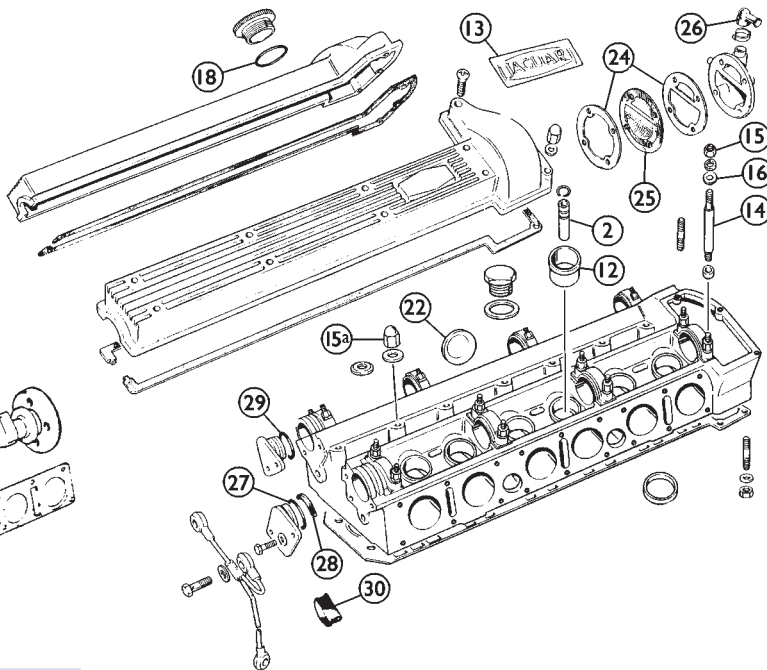
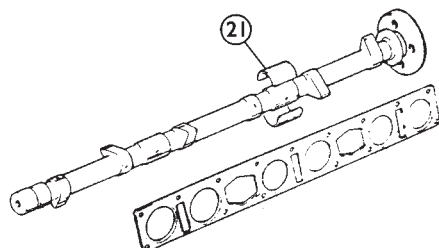
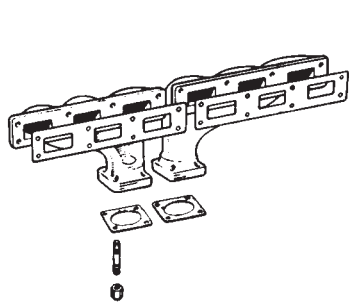
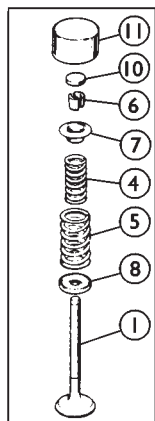


No.	Part No.	Price (each)	Description	Application	Qty. Req.
1	21379	\$124.95	PISTON, w/rings STD 8.7:1	AE high compression	6
	21379-020	\$124.95	PISTON, w/rings .020 8.7:1	AE high compression	6
	21379-030	\$124.95	PISTON, w/rings .030 8.7:1	AE high compression	6
	21379-040	NA	PISTON, w/rings .040 8.7:1	AE high compression	6
	21380	\$124.95	PISTON, w/rings STD 7.8:1	AE stock compression	6
	21380-020	\$124.95	PISTON, w/rings .020 7.8:1	AE stock compression	6
	21380-030	\$124.95	PISTON, w/rings .030 7.8:1	AE stock compression	6
	21380-040	\$124.95	PISTON, w/rings .040 7.8:1	AE stock compression	6
2	R39520	\$144.95	RINGS, engine set STD	AE, for short skirt	1
	R39520-020	\$144.95	RINGS, engine set .020	AE, for short skirt	1
	R39520-030	NA	RINGS, engine set .030	AE, for short skirt	1
	R39520-040	NA	RINGS, engine set .040	AE, for short skirt	1
3	031-894	\$15.95	BOLT, conn. rod, self locking		12
4	031-895	\$3.90	NUT, conn. rod, self locking		12
5	829-010	\$5.40	ROD BUSHING		6
	829-018	\$28.95	ROD BUSHING SET		1
6	550-061	\$51.95	ROD BEARING SET, STD	AE/Glacier	1
	550-062	\$51.95	ROD BEARING SET, .010	AE/Glacier	1
	550-063	\$51.95	ROD BEARING SET, .020	AE/Glacier	1
	011-156	\$51.95	ROD BEARING SET, .030	AE/Glacier	1
	011-157	\$51.95	ROD BEARING SET, .040	AE/Glacier	1
7	VP91167	NA	MAIN BEARING SET, STD	Vandervell	1
	VP91167-010	NA	MAIN BEARING SET, .010	Vandervell	1
	VP91167-020	NA	MAIN BEARING SET, .020	Vandervell	1
	VP91167-030	NA	MAIN BEARING SET, .030	Vandervell	1
	M7294LC	\$104.95	MAIN BEARING SET, STD	AE/Glacier	1
	M7294LC-010	\$104.95	MAIN BEARING SET, .010	AE/Glacier	1
	M7294LC-020	NA	MAIN BEARING SET, .020	AE/Glacier	1
	M7294LC-030	NA	MAIN BEARING SET, .030	AE/Glacier	1
8	VP180	NA	THRUST WASHER SET, STD	Vandervell	1
	VP125	NA	THRUST WASHER SET, O/S	Vandervell	1
	555-125	\$9.35	THRUST WASHER SET, STD	AE/Glacier	1
	W2186SA	\$12.50	THRUST WASHER SET, O/S	AE/Glacier	1
9	031-893	NA	GEAR, oil pump drive		1
10	031-915	\$125.95	SPROCKET, crankshaft		1
	C757	\$1.35	KEY, crankshaft		2
	C40147	\$51.95	CRANKSHAFT SPACER, front		1
	EAC8101	\$4.65	"O" RING, front crankshaft		1
	C29713	NA	TAB WASHER, crank pulley		1

No.	Part No.	Price (each)	Description	Application	Qty. Req.
15	C29035	\$30.95	STUD, head 6.5", OE	XJ6 69-87	A/R
	031-896	\$10.95	STUD, head 6.5", repro	XJ6 69-87	A/R
	C23610	NA	STUD, head 6.75", dowelled	XJ6 68-71	10
	C29033	NA	STUD, head 12.5" OE	XJ6 69-87	7
	C29033-AM	\$15.40	STUD, head 12.5", repro	XJ6 69-87	7
	C38073	\$49.95	STUD, head 13", OE	XJ6 73-87	3
	C38073-AM	\$15.95	STUD, head 13", aftermarket	XJ6 73-87	3
	311-788	\$199.95	CHROME NUT AND WASHER SET		1
			Complete 72 piece set of nuts and washers for head studs and cam covers. (Cam cover washers are copper)		
	EAC3369	\$15.95	DOME NUT, zinc, cylinder head studs		14
	011-149	\$4.95	DOME NUT, chrome, cylinder head studs		14
	C10301	\$0.50	WASHER, zinc, cyl. head studs		A/R
	011-150	\$4.55	WASHER, chrome, cyl. head studs (D)		10
	011-983	\$5.25	WASHER, chrome, cyl. head studs (round)		4
18	C16862-8	\$3.25	CORE PLUG, large		9
19	C16862-5	\$1.75	CORE PLUG, small		2
	C28658	\$1.25	GASKET, timing cover		1
21	JLM1009	\$21.95	MOUNT, engine		2
22	031-989	\$2.57	SEAL, rear main		2
23	C36499	NA	SEAL, rear oil pan		1
24	535-020	\$3.50	SEAL, front crankshaft, black		1
25	GEG527	\$9.25	GASKET, pan		1
26	011-761	\$12.50	OIL DRAIN PLUG		1
	011-764	\$17.95	OIL DRAIN PLUG, magnetic (with washer)		1
27	011-762	\$1.60	WASHER, drain plug		1
28	C42705	\$1.40	DIPSTICK, seal		1
29	EAC8840	\$7.20	"O" RING, oil bypass pipe		1
30	EAC8531	\$8.48	HOSE, oil bypass	XJ6 78-87	1

MOSS

MOSS MOTORS, LTD. 1-800-667-7872
TOLL-FREE ORDERS



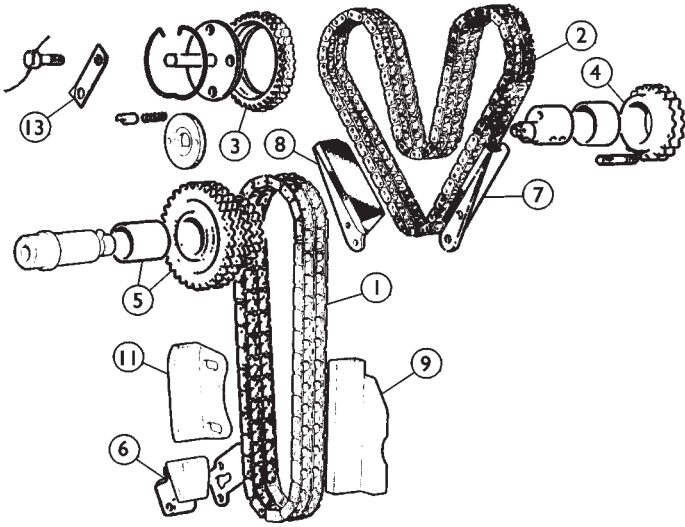
No.	Part No.	Price (each)	Description	Application	Qty. Req.
1	537-112	\$17.50	VALVE, intake	XJ6 68-76	6
	EAC1395-AM	\$8.95	VALVE, intake	XJ6 77-87	6
	537-092	\$26.95	VALVE, exhaust	XJ6 68-76	6
	V90303	\$9.85	VALVE, exhaust	XJ6 77-87	6
2	VAG50914	\$3.40	GUIDE, intake cast iron, +.007" OD		6
	VAG50914BR	\$4.95	GUIDE, intake bronze, +.003" OD		6
	538-017	\$2.95	GUIDE, exhaust cast iron, +.005" OD		6
	VAG50913BR	\$5.25	GUIDE, exhaust bronze, +.002" OD		6
4	C7137	\$2.40	SPRING, valve inner		12
5	C7136	\$3.65	SPRING, valve outer		12
	539-072	\$39.95	SPRING, valve set		1
6	C27482	\$3.75	KEEPER, valve	69-87	24
7	C27480	\$19.95	COLLAR, valve spring	69-87	12
8	C27481	NA	CUPPED WASHER, valve spring		12
	EAC5032	\$1.90	SEAL, valve stem, OE		6
	EAC5032-AM	NA	SEAL, valve stem, after-market		6
10	031-085	\$2.65	VALVE ADJ. SHIM, .085		A/R
	031-086	\$2.65	VALVE ADJ. SHIM, .086		A/R
	031-087	\$2.65	VALVE ADJ. SHIM, .087		A/R
	031-088	\$2.65	VALVE ADJ. SHIM, .088		A/R
	031-089	\$2.65	VALVE ADJ. SHIM, .089		A/R
	031-090	\$2.65	VALVE ADJ. SHIM, .090		A/R
	031-091	\$2.65	VALVE ADJ. SHIM, .091		A/R
	031-092	\$2.65	VALVE ADJ. SHIM, .092		A/R
	031-093	\$2.65	VALVE ADJ. SHIM, .093		A/R
	031-094	\$2.65	VALVE ADJ. SHIM, .094		A/R
	031-095	\$2.65	VALVE ADJ. SHIM, .095		A/R
	031-096	\$2.65	VALVE ADJ. SHIM, .096		A/R
	031-097	\$2.65	VALVE ADJ. SHIM, .097		A/R
	031-098	\$2.65	VALVE ADJ. SHIM, .098		A/R
	031-099	\$2.65	VALVE ADJ. SHIM, .099		A/R
	031-100	\$2.65	VALVE ADJ. SHIM, .100		A/R
	031-101	\$2.65	VALVE ADJ. SHIM, .101		A/R
	031-102	\$2.65	VALVE ADJ. SHIM, .102		A/R
	031-103	\$2.65	VALVE ADJ. SHIM, .103		A/R
	031-104	\$2.65	VALVE ADJ. SHIM, .104		A/R
	031-105	\$2.65	VALVE ADJ. SHIM, .105		A/R
	031-106	\$2.65	VALVE ADJ. SHIM, .106		A/R
	031-107	\$2.65	VALVE ADJ. SHIM, .107		A/R
	031-108	\$2.65	VALVE ADJ. SHIM, .108		A/R
	031-109	\$2.65	VALVE ADJ. SHIM, .109		A/R
	031-110	\$2.65	VALVE ADJ. SHIM, .110		A/R
11	011-940	\$7.00	TAPPET, cam follower		12/24
12	031-904	\$9.95	TAPPET GUIDE		12
	C7262-AM	\$19.95	TAPPET GUIDE, oversize, +.015" OD		12
	J3842	NA	TAPPET GUIDE HOLD DOWN KIT		1
13	C35732	\$8.95	DECAL, valve cover		1
14	C2326	\$2.85	STUD, bearing cap		1

No.	Part No.	Price (each)	Description	Application	Qty. Req.
15	011-148	\$3.90	DOME NUT, valve cover, chrome		22
15a	EAC3369	\$15.95	DOME NUT, cylinder head, cad. plated		14
	311-788	\$199.95	CHROME NUT AND WASHER SET		1
72 piece set of nuts and washers for head studs and cam covers. (Cam cover washers are copper)					
16	FW104E	\$0.75	COPPER WASHER, valve cover		22
	324-465	\$1.05	COPPER WASHER, valve cover, chrome		22
	EBC1294	\$0.50	WASHER, valve cover teflon		22
	C30075-2	\$1.15	WASHER, cam bearing holder		12
	031-909	\$5.80	COPPER WASHER, oil pipe		A/R
18	C42511	\$2.15	O-RING, oil filter cap	75.5- 87	1
	C11761	\$8.15	STUD, intake/exhaust manifold		A/R
	C30787	\$1.75	NUT, exhaust manifold		16
21	VP907	NA	BEARINGS, cam, Vandervell		1
	550-630	\$86.95	BEARINGS, cam, AE/Glacier		1
22	031-781	\$4.00	FREEZE PLUG, head	XJ6 68-82.5	2/3
	C16862-2	NA	FREEZE PLUG, small		2
	C3993	\$21.95	TIMING GAUGE		1
24	011-169	\$1.20	GASKET, breather cover		4
25	C37282	\$10.35	SCREEN, breather		1
26	C34965	\$18.95	ELBOW, breather	XJ6 68-78	1
	C44386	\$10.95	ELBOW, breather	XJ6 79-80	1
27	C19044	\$0.60	O RING, intake cam	XJ6 68-74	1
28	C14991	\$6.90	SEAL, valve cover	XJ6 68-74	1
29	C14990	\$5.25	O RING, exhaust cam	XJ6 68-74	1
30	C39195	\$5.65	SEAL, half moon, valve cover	XJ6 75-87	2
	C39195-AM	\$1.40	SEAL, half moon, valve cover	XJ6 75-87	2

GASKETS

CG571	\$108.95	GASKET SET, head, Payen	XJ6 68	1
DJ021	\$113.95	GASKET SET, head, Payen	XJ6 69-74	1
DJ023	\$123.95	GASKET SET, head, Payen	XJ6 75-78	1
GEG1253	\$144.95	GASKET SET, head, Unipart	XJ6 79-87	1
DJ024	\$123.95	GASKET SET, head, Payen	XJ6 79-87	1
DJ024-AM	\$69.95	GASKET SET, head,	XJ6 79-87	1
EH690	\$40.95	GASKET SET, conversion, Payen	XJ6 68-87	1
GEG255-AM	\$19.95	GASKET SET, conversion, aftermarket	XJ6 68-87	1
GEG3310	\$98.95	GASKET, head, Unipart	XJ6 69-87	1
BJ020	\$72.95	GASKET, head, Payen	XJ6 69-87	1
529-214	\$8.60	GASKET, valve cover LH	XJ6 68-75	1
529-213	\$8.60	GASKET, valve cover RH	XJ6 68-75	1
GEG4494	\$7.75	GASKET, valve cover	XJ6 75-87	2
GEG4494-AM	\$5.05	GASKET, valve cover	XJ6 75-87	2
GEG666	\$10.95	GASKET, intake manifold		1
011-621	\$5.45	GASKET, manifold exhaust		2
GEG754	\$2.65	GASKET, exhaust flange		2
JLM9710	\$14.95	HYLOSIL, gasket sealer, white		A/R
GGC102	\$18.95	HYLOMAR, gasket sealer, blue		A/R

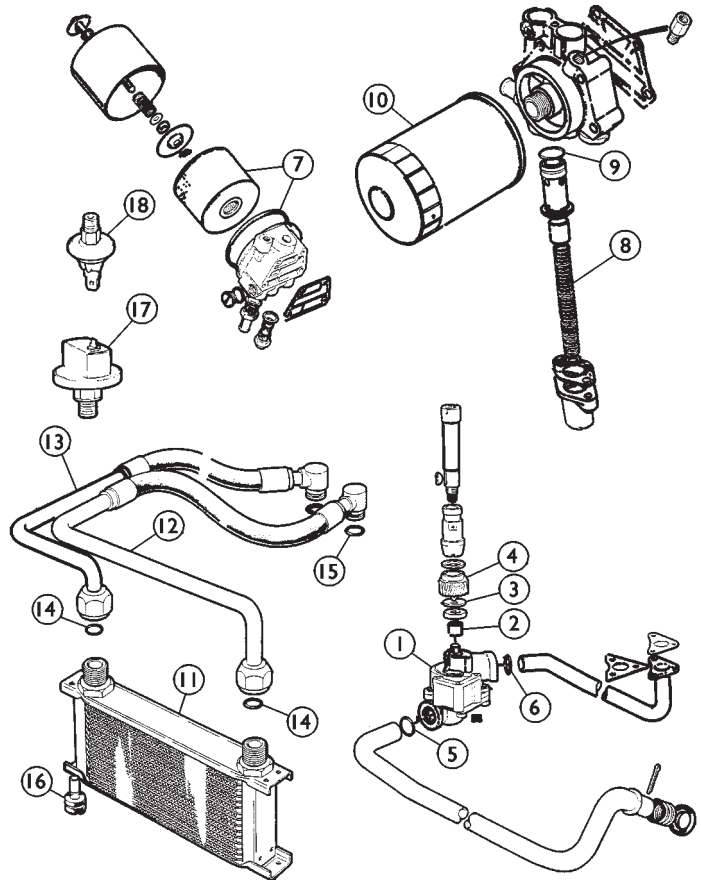
XJ6 Engine



No.	Part No.	Price (each)	Description	Application	Qty. Req.
-----	----------	--------------	-------------	-------------	-----------

Timing Chains

1	600-099	\$14.90	TIMING CHAIN, lower		1
2	600-105	\$18.95	TIMING CHAIN, upper		1
3	031-918	\$119.95	GEAR, cam		2
4	031-917	\$222.95	GEAR, idler		1
5	031-916	\$229.95	GEAR, intermediate		1
6	011-139	\$32.95	TENSIONER, t/chain		1
7	031-921	\$11.60	RAIL, t/chain upper LH		1
8	031-922	\$11.60	RAIL, t/chain upper RH		1
9	031-919	\$14.95	RAIL, t/chain lower LH		1
	C20397	NA	LOCKTAB, lower RH		1
11	C21815	\$18.95	RAIL, t/chain lower RH		1
	C21831	\$11.25	LOCKTAB, lower LH		1
13	C33917	\$4.25	LOCKTAB, cam gear		2

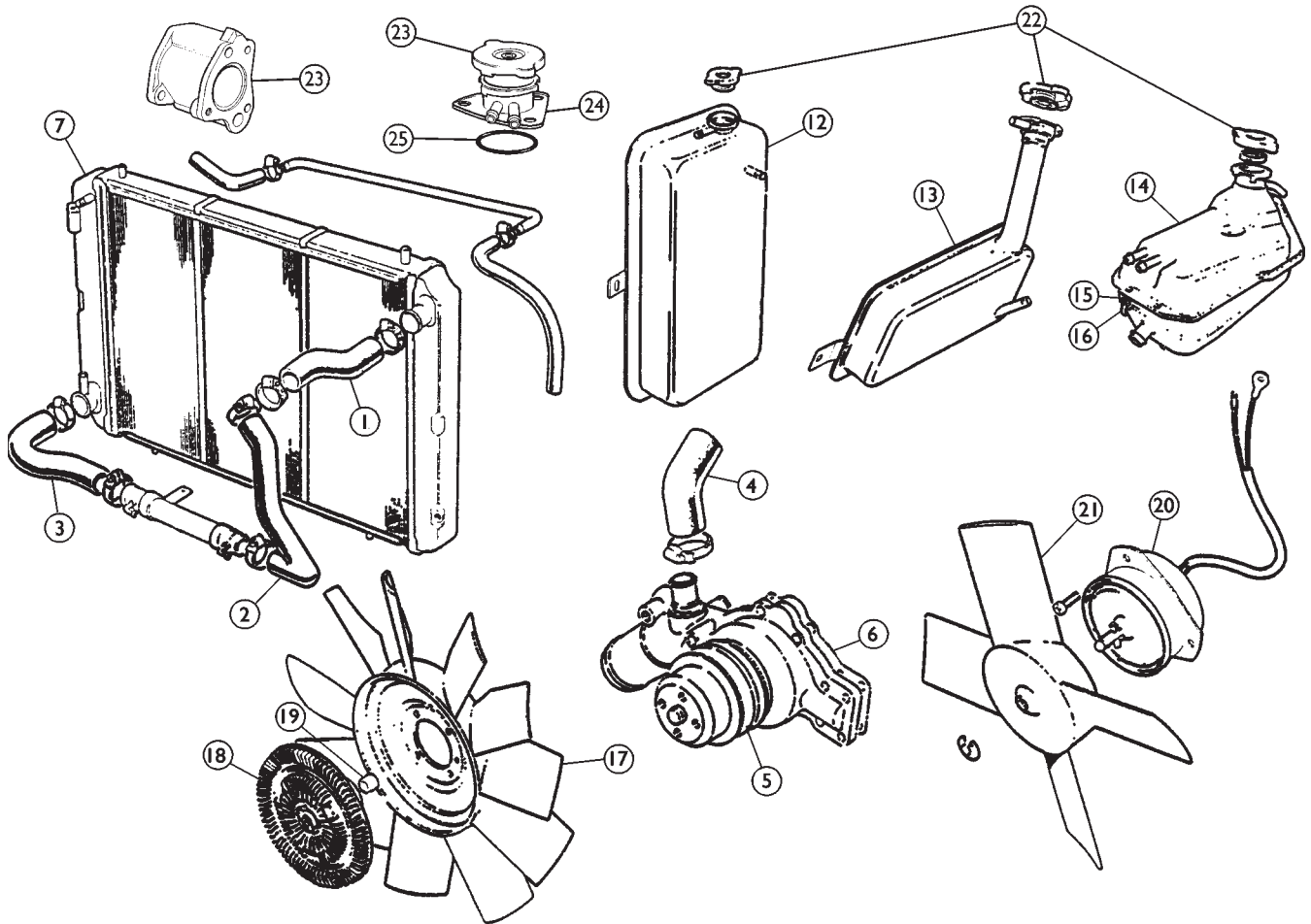


No.	Part No.	Price (each)	Description	Application	Qty. Req.
-----	----------	--------------	-------------	-------------	-----------

Oil System

1	011-760	\$130.95	OIL PUMP, assembly		1
2	031-900	NA	COUPLING, dist. drive gear		1
3	031-902	\$12.95	SPECIAL WASHER, locknut		1
4	031-901	NA	DRIVEN GEAR, oil pump		1
5	C21848	\$2.30	O-RING, oil pump outlet		1
6	C8649	\$1.75	O-RING, oil pump inlet		1
7	950-085	\$18.95	OIL FILTER, "Crosland" brand	XJ6 68-75	1
	950-585	\$17.95	OIL FILTER **	XJ6 68-75	1
8	EAC1534	NA	SPRING, oil pressure relief valve	XJ6 74-87	1
9	EAC2087	\$1.70	O-RING, oil pressure relief valve	XJ6 74-87	1
10	950-095	\$12.40	OIL FILTER, "Crosland" brand	XJ6 76-87	1
	950-595	\$9.95	OIL FILTER **	XJ6 76-87	1
11	CAC4540-AM	\$165.95	OIL COOLER, engine	XJ6 80-87	1
12	CBC1437	\$99.95	HOSE, oil cooler	XJ6 80-87	1
13	CBC1438	\$98.95	HOSE, oil cooler	XJ6 80-87	1
14	KRC1160	\$2.95	O-RING, oil cooler hose	XJ6 80-87	2
15	CAC5118	\$3.60	O-RING, oil cooler hose	XJ6 80-87	2
16	CBC1448	NA	MOUNT, oil cooler	XJ6 80-87	4
17	C15474	\$119.95	TRANSDUCER, oil press., 60psi	XJ6 68-71	1
	C15474-AM	NA	TRANSDUCER, oil press., 60psi	XJ6 68-71	1
	C31177	\$120.95	TRANSDUCER, oil press., 80 psi	XJ6 71-76.5	1
	C31177-AM	\$74.50	TRANSDUCER, oil press., 80pst	XJ6 71-76.5	1
	C46272	\$75.95	TRANSDUCER, oil press., 100psi	XJ6 76.5-87	1
	C46272-AM	NA	TRANSDUCER, oil press., 100psi	XJ6 76.5-87	1
18	141-715	\$84.95	SWITCH, oil pressure, cut-off	XJ6 71-87	1
	760-190	\$5.65	SWITCH, oil press. warning light		1

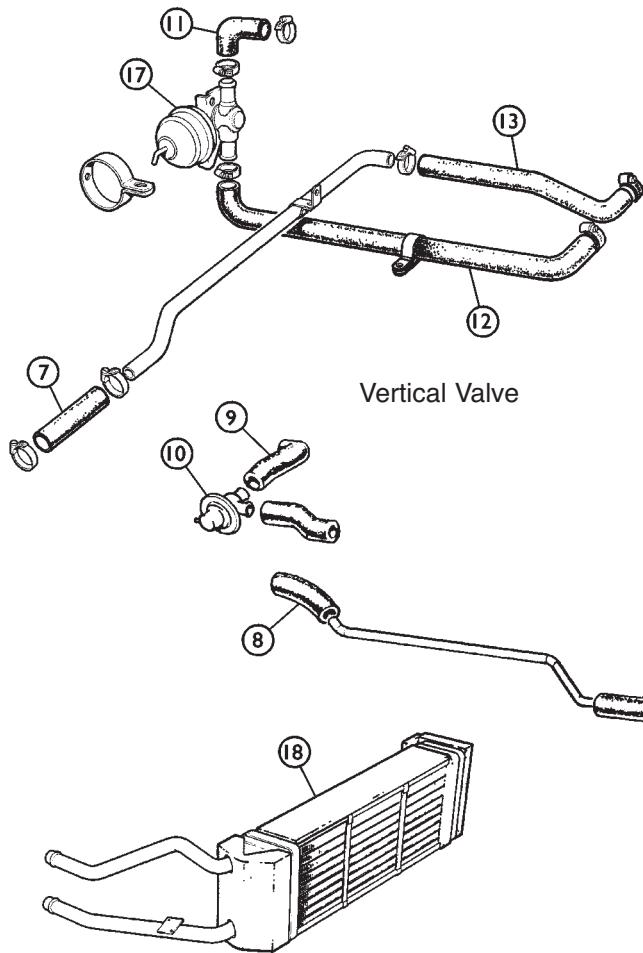
** Filters supplied are from various manufacturers.



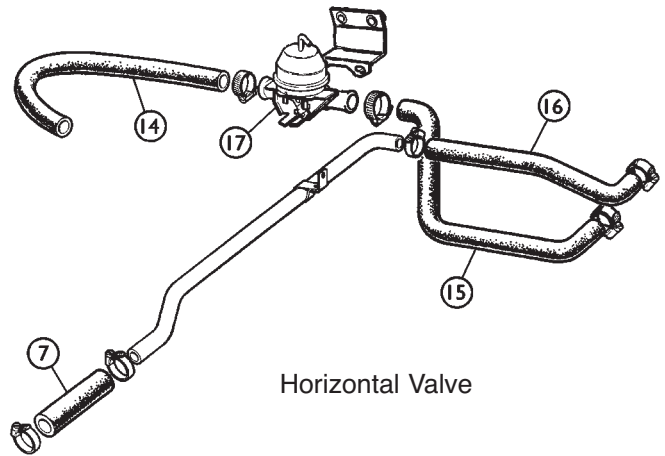
No.	Part No.	Price (each)	Description	Application	Qty. Req.
1	GRH562	NA	HOSE, radiator UPPER	XJ6 68-73	1
	GRH562-AM	\$7.30	HOSE, radiator UPPER	XJ6 68-73	1
	GRH562	NA	HOSE, radiator UPPER	XJ6 74-77	1
	GRH562-AM	\$7.30	HOSE, radiator UPPER	XJ6 74-77	1
	GRH626	\$17.95	HOSE, radiator UPPER	XJ6 78-82.5	1
	GRH626-AM	\$7.85	HOSE, radiator UPPER	XJ6 78-82.5	1
	GRH669	\$18.95	HOSE, radiator UPPER	XJ6 82.5-87	1
	GRH669-AM	\$10.45	HOSE, radiator UPPER	XJ6 82.5-87	1
2	GRH563	\$39.95	HOSE, radiator LOWER	XJ6 68-87	1
	GRH563-AM	\$11.30	HOSE, radiator LOWER	XJ6 68-87	1
3	GRH565	\$30.95	HOSE, radiator LOWER	XJ6 68-87	1
	GRH565-AM	\$9.40	HOSE, radiator LOWER	XJ6 68-87	1
4	C41352	\$10.95	HOSE, bypass	XJ6 68-81	1
	C41352-AM	\$1.60	HOSE, bypass	XJ6 68-81	1
	C41356	\$15.95	HOSE, bypass	XJ6 82-87	1
	C41356-AM	\$4.15	HOSE, bypass	XJ6 82-87	1
5	GWP419	NA	WATER PUMP, new	XJ6 72.5-74	1
	GWP427	\$459.95	WATER PUMP, new	XJ6 76.5-81	1
	GWP428	\$459.95	WATER PUMP, new	XJ6 82-87	1
	GWP428-AM	NA	WATER PUMP, new	XJ6 82-87	1
	WP4230	\$119.95	WATER PUMP, rebuilt	XJ6 82-87	1
		\$50.00	CORE CHARGE for WP4230		
6	031-898	\$1.10	GASKET, water pump	XJ6 68	1
	C28656	\$1.25	GASKET, water pump	XJ6 69-87	1
7	CAC3118-2	NA	RADIATOR, assembly	XJ6 77.5-82 2T69451-330666	1
	CAC5064-1-AM	NA	RADIATOR, assembly	XJ6 82-87 330667-	1
	C8975	\$2.15	BUSH, radiator mount	XJ6 68-77	A/R
	C38333	\$4.15	BUSH, radiator mount	XJ6 78-87	4/2

No.	Part No.	Price (each)	Description	Application	Qty. Req.
	CAC3130	NA	PAD, radiator RH	XJ6 77.5-87	1
	CAC3129	NA	PAD, radiator LH	XJ6 77.5-87	1
12	C28868-AM	NA	HEADER TANK	XJ6 68-69	1
13	CAC4338	NA	HEADER TANK	XJ6 70-82	1
14	CAC3636	NA	HEADER TANK	XJ6 82-87	1
15	072-088	NA	SENSOR, low coolant	XJ6 82-87	1
16	C43221	\$5.20	GROMMET, low coolant sensor	XJ6 82-87	1
17	C39831	NA	FAN BLADE	XJ6 75-82	1
	EAC3266	NA	FAN BLADE	XJ6 82-87	1
18	C28018-AM	NA	FAN CLUTCH, bolt on	XJ6 68-73	1
	C45015	\$148.95	FAN CLUTCH, press on	XJ6 75-82	1
	EAC4751-AM	\$79.95	FAN CLUTCH, repro	XJ6 82-87	1
19	EAC4382	\$10.95	SPACER, fan clutch	XJ6 82-87	1
20	CAC2047	\$249.95	MOTOR, cooling fan	XJ6 78-87	1
21	CAC2029	NA	FAN BLADE, electric	XJ6 78-87	1
	DAC3061	\$81.95	SWITCH, cooling fan	XJ6 78-87	1
	DAC3061-AM	\$14.20	SWITCH, cooling fan	XJ6 78-87	1
	C44635	NA	SHROUD, radiator UPPER	XJ6 74-81	1
	CAC4266	\$479.95	SHROUD, radiator	XJ6 82-87	1
22	202-100	\$4.75	CAP, radiator 13LB, on expansion tank	XJ6 68-78	1
	459-695	\$6.95	CAP, radiator 15LB, on expansion tank	XJ6 79-82	1
	GRC156	\$9.95	CAP, radiator 13LB, on expansion tank	XJ6 80-82	1
	GRC181	NA	CAP, radiator 15LB, on expansion tank	XJ6 82-87	1
	780-126	\$3.25	CAP, radiator (blanking), flat cap	XJ6 68-82	1
23	EAC3153	\$136.95	FILLER NECK, with flat cap	XJ6 68-82	1
24	EAC2009	\$3.30	O-RING, filler neck	XJ6 74-82	1
25	EAC1258	NA	HOUSING, thermostat, fuel injected	XJ6 78-87	1
26	C30839	\$176.95	HOUSING, thermostat, outer	XJ6 82-87	1

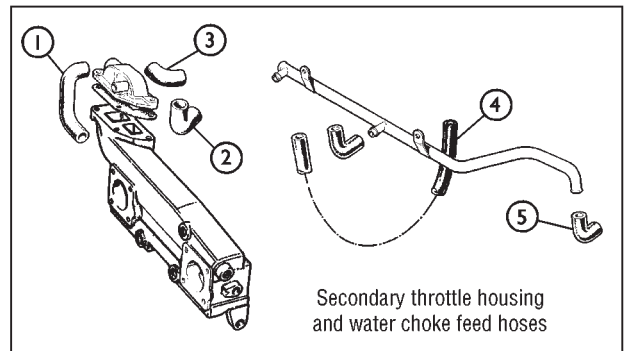
XJ6 Heater System



Vertical Valve



Horizontal Valve



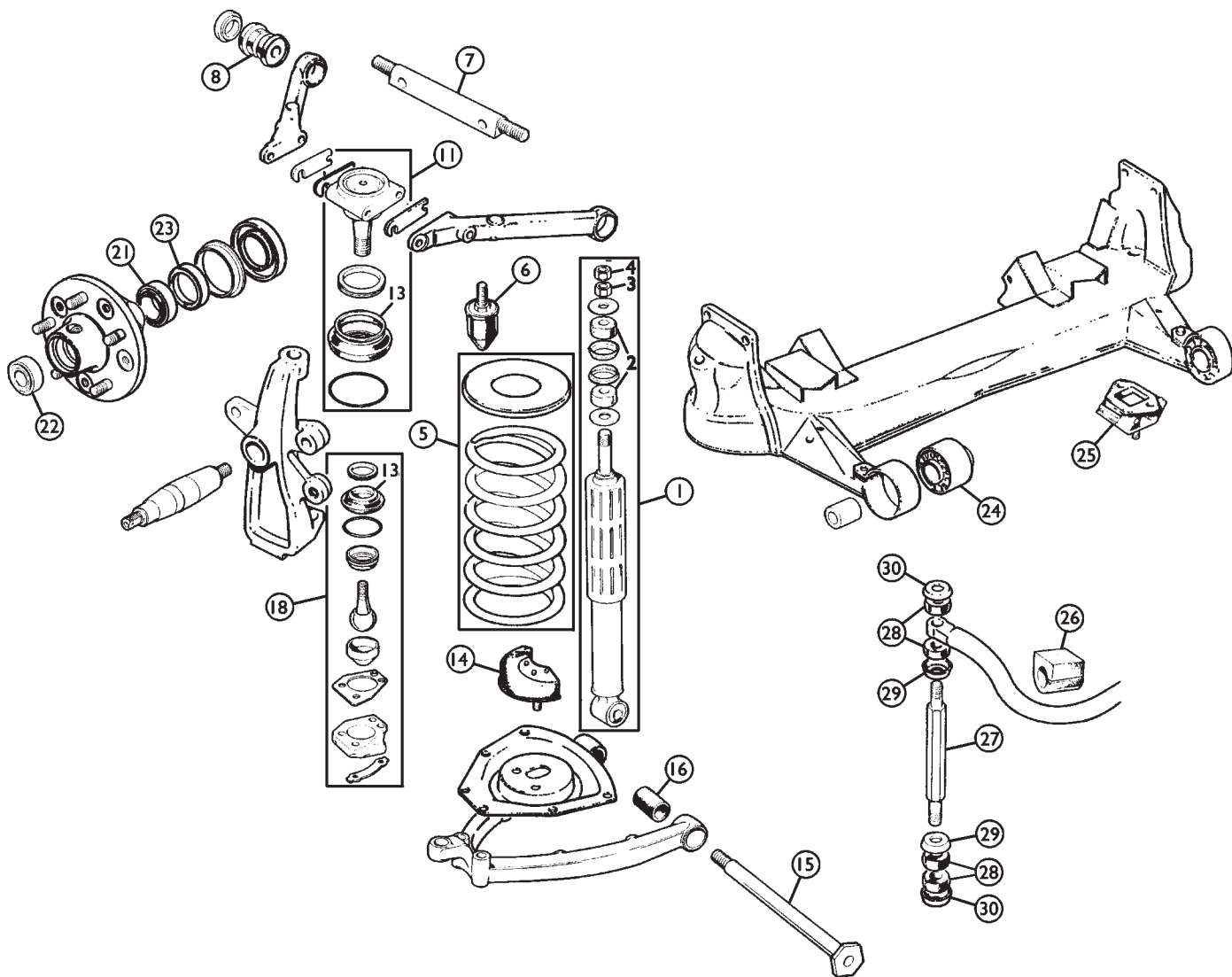
Secondary throttle housing and water choke feed hoses

No.	Part No.	Price (each)	Description	Application	Qty. Req.
1	C41355	\$16.95	HOSE, water	XJ6 68-79	1
	C41355-AM	\$4.20	HOSE, water	XJ6 68-79	1
2	C41343	\$9.20	HOSE, elbow	XJ6 68-76	1
3	C41354	NA	HOSE, elbow	XJ6 68-76	1
4	C43922-AM	NA	HOSE, carb. heating	XJ6 75-76	1
5	C41343	\$9.20	HOSE, carb. choke	XJ6 75-76	1
6	C43921	\$12.95	HOSE, carb. choke	XJ6 75-76	1
7	C41351-2	\$12.95	HOSE, heater	XJ6 69-87	1
	C41351-2-AM	NA	HOSE, heater	XJ6 69-87	1
8	C30805	NA	HOSE, heater	XJ6 68-73	1
9	C30806	NA	HOSE, heater	XJ6 68-73	1
10	BD33049	NA	VALVE, heater	XJ6 68-73	1
11	C41048	\$1.85	HOSE, heater (vertical valve)	XJ6 74-79	1
12	C41019	NA	HOSE, heater (vertical valve)	XJ6 74-79	1
13	C43896-AM	\$4.80	HOSE, heater (vertical valve)	XJ6 74-79	1
14	C41957	NA	HOSE, heater (horizontal valve)	XJ6 74-75 -2J52943	1
	C45016-AM	\$4.65	HOSE, heater (horizontal valve)	XJ6 76-87 2J52494	1
15	CAC2917	\$32.95	HOSE, heater (horizontal valve)	XJ6 74-87	1
	CAC2917-AM	\$8.75	HOSE, heater (horizontal valve)	XJ6 74-87	1
16	C43896-AM	\$4.80	HOSE, heater (horizontal valve)	XJ6 74-87	1
17	C41051-AM	\$49.95	VALVE, heater	XJ6 74-87	1
18	AEU1195-AM	\$189.95	CORE, heater matrix	XJ6 74-87	1
	EAC2928-7	\$26.95	HOSE, throttle body	XJ6 82-87	2
	C36175-11	\$23.95	HOSE, radiator bleed	XJ6 82-87	1
	CAC4251	NA	HOSE, radiator bleed	XJ6 82-87	1
	C37990	\$15.95	GROMMET, between water rails	XJ6 80-87	2
	C37990-AM	\$1.95	GROMMET, between water rails	XJ6 80-87	2

No.	Part No.	Price (each)	Description	Application	Qty. Req.
XJ12 COOLING SYSTEM					
GRH558	\$8.25	HOSE, radiator UPPER RH	XJ12 73-75	1	
GRH561	NA	HOSE, radiator UPPER LH	XJ12 73-75	1	
GRH588	\$14.95	HOSE, radiator UPPER RH	XJ12 76-79	1	Right hand
GRH588-AM	\$8.35	HOSE, radiator UPPER RH	XJ12 76-79	1	
GRH587	\$29.95	HOSE, radiator UPPER LH	XJ12 76-79	1	
GRH587-AM	\$8.30	HOSE, radiator UPPER LH	XJ12 76-79	1	
GRH560	\$50.95	HOSE, radiator LOWER	XJ12 73-79	1	W/o coolant heater
GRH560-AM	\$12.95	HOSE, radiator LOWER	XJ12 73-79	1	W/o coolant heater
C41374	\$5.70	HOSE, w/p to filler pipe	XJ12 73-79	1	Top of water pump
C41353	\$16.95	HOSE, thermo housing	XJ12 73-79	4	
EBC4402-1	\$10.55	HOSE, filler pipe	XJ12 74-79	2	Pipe to bypass on head
EBC4402-1-AM	\$1.75	HOSE, filler pipe	XJ12 74-79	2	Pipe to bypass on head
WP4160	\$119.95	WATER PUMP, rebuilt	XJ12 73-79	1	Double pulley
	\$50.00	CORE CHARGE for WP4160			
GWP426	\$690.95	WATER PUMP, new	XJ12 73-79	1	Single pulley
WP4210	\$119.95	WATER PUMP, rebuilt	XJ12 73-79	1	Single pulley
	\$75.00	CORE CHARGE for WP4210			
C29626	\$8.75	GASKET, water pump		1	Pump body to block
C36542	\$7.20	GASKET, water pump		1	Pump body to base
EAC9805	\$2.95	GASKET, water pump		1	Triangular
CAC4339	\$408.95	HEADER TANK	XJ12 74-79	1	
C39831	NA	FAN BLADE	XJ12 76-79	1	Metal fan
C45015	\$148.95	FAN CLUTCH, press on	XJ12 76-79	1	
C38009	\$429.95	MOTOR, cooling fan	XJ12 76-79	1	
C37880	\$46.95	FAN BLADE, electric	XJ12 76-79	1	
AAU2019	\$1.20	CLIP, electric fan blade	XJ12 76-79	1	
EAC1322	NA	SWITCH, cooling fan	XJ12 76-79	1	XJS to 101854
C37990	\$15.95	GROMMET, cooling fan switch	XJ12 76-79	1	Various applications
C37990-AM	\$1.95	GROMMET, cooling fan switch	XJ12 76-79	1	Various applications
202-100	\$4.75	CAP, radiator 13LB	XJ12 71-74	1	On expansion tank
780-126	\$3.25	CAP, radiator (blanking)	XJ12 73-79	1	Flat cap

No.	Part No.	Price (each)	Description	Application	Qty. Req.
XJ12 HEATER SYSTEM					
C41020	\$17.95	HOSE, heater core to pipe	XJ12 74-79	1	
C43999-AM	\$8.95	HOSE, heater valve to engine	XJ12 76-79	1	
CAC2917	\$32.95	HOSE, heater valve to core	XJ12 74-79	1	
CAC2917-AM	\$8.75	HOSE, heater valve to core	XJ12 74-79	1	
C44474	\$40.95	HOSE, heater	XJ12 74-79	1	Radiator to heater pipe
C41051-AM	\$49.95	VALVE, heater	XJ12 74-78	1	
AEU1195-AM	\$189.95	CORE, heater matrix	XJ12 74-78	1	

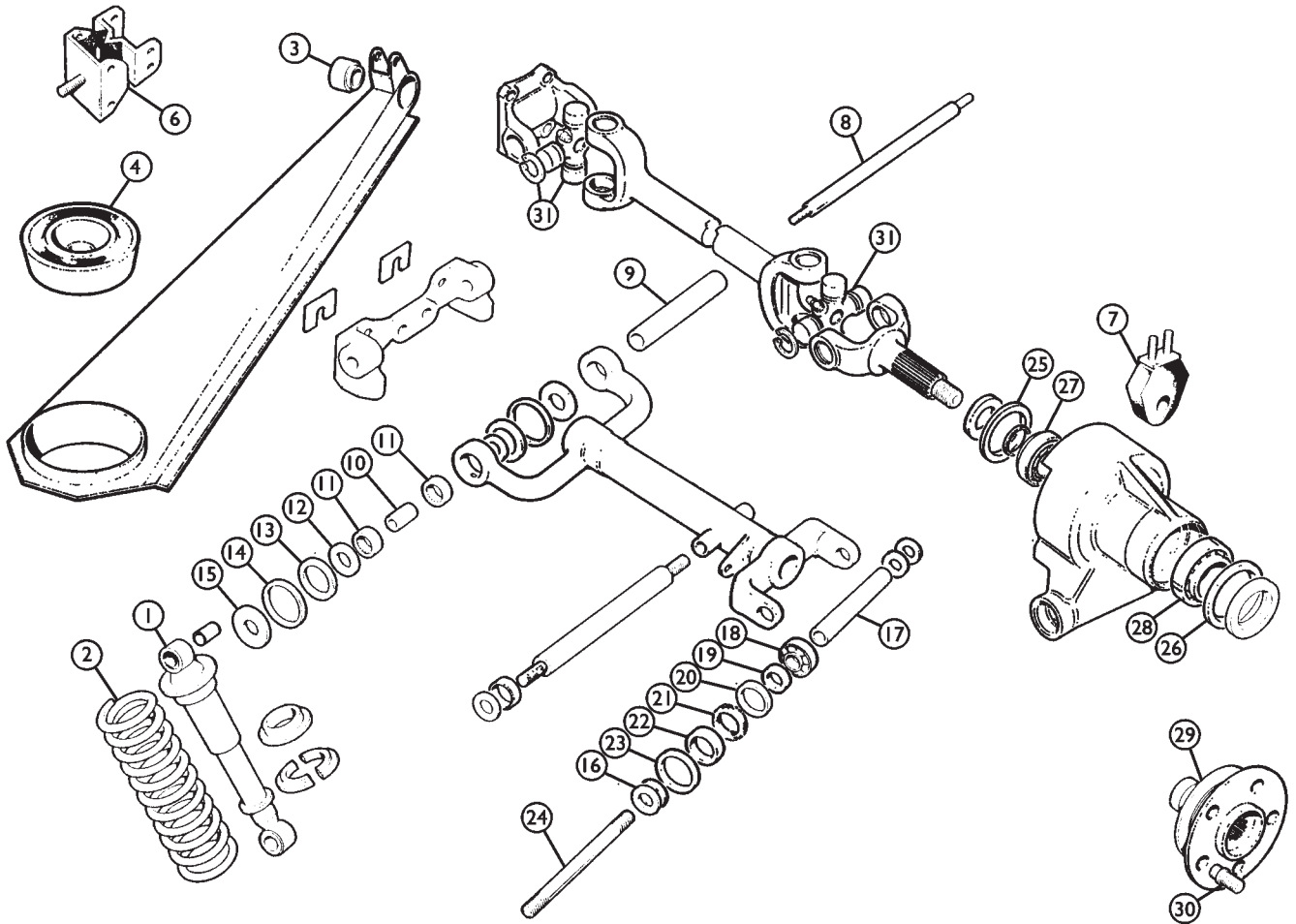
XJ6-XJ12 Front Suspension



No.	Part No.	Price (each)	Description	Application	Qty. Req.
1	36-302-0	\$95.95	SHOCK, front, Boge		2
	GDA4183	\$143.95	SHOCK, front, Unipart		2
2	C30115-AM	\$3.30	BUSH, shock		4
3	310-050	\$0.50	NUT		2
4	310-070	\$0.55	NUT, jam		2
5	RTC2754	\$329.95	COIL SPRING, front, pair	XJ6 68-73	1
	RTC2752	\$308.95	COIL SPRING, front, pair	XJ12 74-79	1
	RTC2751	NA	COIL SPRING, front, pair	XJ6 74-87	1
6	C29979	\$6.70	REBOUND BUFFER, upper		2
7	C27859	\$267.95	SHAFT, fulcrum, upper		2
8	CAC9295	\$24.95	BUSH, a-frame, upper		4
	310-690	\$0.85	NUT, nylock		4
11	GSJ145	\$74.95	BALL JOINT, upper		2
	GSJ145-AM	\$32.95	BALL JOINT, upper		2
	CAC9938	\$62.95	BALL JOINT, upper, sealed		2
	310-690	\$0.85	NUT, nylock		2
13	C43216	\$13.50	GAITER, ball joint		4
	C43216-AM	NA	GAITER, ball joint		4
14	C43790	\$28.95	REBOUND BUFFER, lower		2
15	C30722	\$55.95	SHAFT, fulcrum, lower		2
16	C8673	\$3.30	BUSH, a-frame, lower		4
	310-710	\$1.35	NUT, slotted		2
18	GSJ129	\$89.95	BALL JOINT, lower		2
	GSJ129-AM	\$39.95	BALL JOINT, lower		2

No.	Part No.	Price (each)	Description	Application	Qty. Req.
2	CAC9937	\$64.95	BALL JOINT, lower, sealed		2
21	126-000	\$9.95	BEARING, wheel, inner	XJ6/12 68-77.5	2
	676-280	\$9.95	BEARING, wheel, inner	XJ6/12 77.5-87	2
22	126-100	\$7.95	BEARING, wheel, outer	XJ6/12 68-77.5	2
	GHB209	\$8.95	BEARING, wheel, outer	XJ6/12 77.5-87	2
23	OS6320	\$4.95	SEAL, wheel	XJ6/12 68-77.5	2
	OS6327	\$13.95	SEAL, wheel	XJ6/12 77.5-87	2
	GHK1025	\$39.60	KIT, wheel bearing	XJ6/12 68-77.5	2
	GHK1089	\$59.95	KIT, wheel bearing	XJ6/12 77.5-87	2
	GHK1089-AM	\$35.95	KIT, wheel bearing	XJ6/12 77.5-87	2
24	C30314	\$14.95	BUSH, crossmember		2
25	C45666	\$33.30	MOUNT, crossmember	aftermarket	2
26	C30502	\$3.30	BUSH, sway bar mounting	XJ6/12 68-84	2
	CAC4651-8	NA	BUSH, sway bar mounting	XJ6 85-87	2
27	C46186	\$22.50	LINK, sway bar	XJ6/12 74-87	2
28	C10996	\$0.90	BUSH, sway bar link		8
29	C33682	\$4.55	WASHER, sway bar bushing		4
30	C11045	\$3.75	CUP, sway bar bushing		4

MOSS **MOSS MOTORS, LTD.** **TOLL-FREE ORDERS 1-800-667-7872**



No.	Part No.	Price (each)	Description	Application	Qty. Req.	No.	Part No.	Price (each)	Description	Application	Qty. Req.
1	36-303-0	\$102.95	SHOCK, rear, Boge		4	17	C16623-1	NA	FULCRUM TUBE, wishbone, outer		2
	GDA4182	\$209.95	SHOCK, rear, Unipart		4	18	525-140	\$19.95	ROLLER BEARING, wishbone, outer		4
2	C29978	\$33.95	SPRING, rear		4	19	C16628	\$35.95	SEAL RETAINER, wishbone, outer		4
3	C17146	\$8.65	MOUNT, radius arm, small		2	20	C20180	\$9.95	SEAL SPACER, wishbone, outer		4
4	C23782	\$29.95	MOUNT, radius arm, large		2	21	C20178	\$2.40	FELT SEAL, wishbone, outer		4
6	CAC3067	\$28.95	MOUNT, subframe 'V'		2	22	C20179	\$26.95	SEAL SHELL, wishbone, outer		4
7	C40158	\$32.95	REBOUND BUFFER		2	23	C20182	\$23.95	RETAINING WASHER, wishbone, outer		4
8	C17008	NA	FULCRUM PIN, wishbone, inner		2	24	CAC2316	NA	PIVOT PIN, wishbone, outer		2
9	C17663-1	NA	FULCRUM TUBE, wishbone, inner		2	25	OS7605	\$9.65	SEAL, wheel, inner		2
10	C17168-1	\$26.60	TUBE, wishbone, inner		4	26	OS8521	\$7.10	SEAL, wheel, outer		2
11	C17167	\$13.95	NEEDLE BEARING, wishbone, inner		4	27	GHB139	\$25.95	BEARING, wheel, inner		2
	328-610	\$1.10	GREASE NIPPLE		8	28	GHB140	\$26.95	BEARING, wheel, outer		2
12	C17166	\$25.95	WASHER, wishbone, inner		8		GHK1026	\$79.95	KIT, wheel bearing		2
13	C17213	\$3.70	SEAL, wishbone, inner		8		GHK1026-AM	NA	KIT, wheel bearing		2
14	C17936	\$26.95	SEAL RETAINER, wishbone, inner		8		328-500	\$1.10	GREASE NIPPLE		2
15	C17165	\$22.65	THRUST WASHER, wishbone, inner		8	29	CBC1784	\$432.95	WHEEL HUB		2
16	C16626-1	\$1.75	SHIM, wishbone, outer .003		A/R	30	C13365	\$12.95	STUD, wheel		10
	C16626-2	\$4.25	SHIM, wishbone, outer .007		A/R	31	GUJ111	\$26.95	U-JOINT, axle shaft		4
							GUJ111-AM	\$13.95	U-JOINT, axle shaft		4

XJ6-XJ12 Filters, XJ12 Engine, Mounts

Part No.	Price (each)	Description	Application	Qty.	Notes
FILTERS					
950-085	\$18.95	OIL FILTER, cartridge	XJ6 68-75	1	Crosland
950-585	\$17.95	OIL FILTER, cartridge	XJ6 68-75	1	aftermarket
950-095	\$12.40	OIL FILTER, spin-on	XJ6 76-87	1	Crosland
950-595	\$9.95	OIL FILTER, spin-on	XJ6 76-87	1	aftermarket
GFE153	NA	OIL FILTER, cartridge	XJ12 73-74	1	
950-095	\$12.40	OIL FILTER, spin-on	XJ12 75-79	1	Crosland
950-595	\$9.95	OIL FILTER, spin-on	XJ12 75-79	1	aftermarket
950-250	\$18.95	AIR FILTER	XJ6 70-77	1	Crosland
950-750	\$15.95	AIR FILTER	XJ6 70-77	1	aftermarket
950-295	\$9.20	AIR FILTER	XJ6 78-87	1	Crosland
950-795	\$27.95	AIR FILTER	XJ6 78-87	1	aftermarket
F9173K	NA	AIR FILTER	XJ12 73-74	1	
950-285	NA	AIR FILTER	XJ12 75-79	2	Crosland
950-785	\$16.95	AIR FILTER	XJ12 75-79	2	aftermarket
C28080	\$62.95	FUEL FILTER	XJ6 68-73	1	O.E.
C28080-AM	\$11.50	FUEL FILTER	XJ6 68-73	1	Wix
JS660	\$24.95	FUEL FILTER (carb.)	XJ6/12 73-75	1	
C41817	NA	FUEL FILTER (carb.)	XJ6 76-77	1	
73176	NA	FUEL FILTER, fuel injection	XJ6 78-79	1	
950-100	\$24.95	FUEL FILTER, fuel injection	XJ6 80-87	1	Crosland
950-600	\$21.95	FUEL FILTER, fuel injection	XJ6 80-87	1	aftermarket

** These filters are supplied by various manufacturers

XJ12 ENGINE; LOWER END

C757	\$1.35	KEY, crankshaft		2	
C13892	NA	CRANK SPACER, split cone		1	
031-895	\$3.90	ROD NUT		24	
031-894	\$15.95	ROD BOLT		24	
011-761	\$12.50	DRAIN PLUG, engine		1	
011-764	\$17.95	DRAIN PLUG, engine, magnetic		1	
011-762	\$1.60	WASHER, drain plug		1	
C32680	NA	STUD, head 2.75"		12	OE
C32332	NA	STUD, head 4.65"		4	OE
C32331	NA	STUD, head 4.75"		4	OE
C32535	\$14.95	STUD, head 7.75"		10	OE
C32534	NA	STUD, head 8.5"		10	OE
C16862-2	NA	FREEZE PLUG, small		14	
C31177	\$120.95	TRANSDUCER, oil pressure	XJ12 73-76.5	1	80lbs, OE
C31177-AM	\$74.50	TRANSDUCER, oil pressure	XJ12 73-76.5	1	English repro
C46272	\$75.95	TRANSDUCER, oil pressure	XJ12 76.5-79	1	100lbs, OE
C46272-AM	NA	TRANSDUCER, oil pressure	XJ12 76.5-79	1	English repro
18206	\$102.95	PISTON, w/rings STD		12	AE
SA1771	\$196.95	PISTON & LINER, assy		12	AE
2C4441	NA	RINGS, engine set STD		1	Hastings
VP91370	NA	BEARINGS, mains STD		1	Vandervell
M7325SB	\$160.95	BEARINGS, mains STD		1	AE/Glacier
VP91369	NA	BEARINGS, rod STD		1	Vandervell
VP95001	NA	THRUST, washer set		1	Vandervell
W2222SA	\$20.40	THRUST, washer set		1	AE/Glacier
C29308	\$6.45	BUSHING, small end con rod		12	
GEG1207	\$253.95	GASKET SET, head	XJ12 73-75	1	Unipart
CH832	NA	GASKET SET, head F.I.	XJ12 76-79	1	Payen
GEG285	\$139.95	GASKET SET, conversion		1	Unipart
EH831	\$59.95	GASKET SET, conversion		1	Payen
GEG456	\$6.95	GASKET, valve cover LH		1	Unipart
EBC9628	\$50.95	GASKET, valve cover LH		1	OE new design
GEG455	\$6.95	GASKET, valve cover RH		1	Unipart
EBC9627	\$50.95	GASKET, valve cover RH		1	OE new design
GEG560	\$5.15	GASKET, pan lower		1	Unipart
EBC9623	\$26.95	GASKET, pan lower		1	OE new design
EBC9637	\$49.95	GASKET, pan upper		1	OE new design
GEG686	\$2.45	GASKET, intake manifold (steel replacement)		12	Unipart
GEG688	\$3.70	GASKET, exhaust manifold		12	
EBC9632	\$2.15	GASKET, timing cover LH		1	
EBC9633	\$1.90	GASKET, timing cover RH		1	
EBC9625	\$1.10	GASKET, timing cover UPPER		1	
GEG754	\$2.65	GASKET, exhaust flange		4	Unipart
JLM10613	\$101.95	SEAL, front crankshaft		1	spacer and seal
011-205	NA	SEAL, front crankshaft		1	Black
031-989	\$2.57	SEAL, rear main		2	
C30431	\$8.25	SEAL, half moon valve cover		2	
C30431-AM	\$1.95	SEAL, half moon valve cover		2	
C42511	\$2.15	SEAL, oil cap	XJ12 73-74	1	

XJ12 TIMING COMPONENTS

C29635	\$9.20	RAIL, t/chain LH lower		1	
C29636	\$35.95	RAIL, t/chain LH upper		1	
C31068	\$47.65	RAIL, t/chain RH upper		1	
C33917	\$4.25	LOCKTAB, cam gear		2	
C37925	\$12.95	PLUG, timing cover		1	
C29590-AM	\$32.95	CHAIN, timing		1	

Part No.	Price (each)	Description	Application	Qty.	Notes
C30485	\$341.95	TENSIONER, timing chain		1	
C29635	\$10.95	RAIL, t/chain LH lower		1	
C29636	\$35.95	RAIL, t/chain LH upper		1	
C31068	\$47.65	RAIL, t/chain RH upper		1	
C33917	\$4.25	LOCKTAB, cam gear		2	
C37925	\$12.95	PLUG, timing cover		1	

XJ12 ENGINE; UPPER END

V34356	\$8.60	VALVE, intake		12	AE
V34357	\$11.70	VALVE, exhaust		12	AE
VAG50923	\$3.90	GUIDE, intake/exhaust cast iron		24	AE
VAG50924	\$4.20	GUIDE, exhaust cast iron		12	
C27482	\$3.75	KEEPERS, valve		24	
EAC5032	\$1.90	SEAL, valve stem, intake		12	OE
EAC5032-AM	NA	SEAL, valve stem, intake, aftermarket		12	Teflon
031-085	\$2.65	VALVE ADJ. SHIM, .085		A/R	
031-086	\$2.65	VALVE ADJ. SHIM, .086		A/R	
031-087	\$2.65	VALVE ADJ. SHIM, .087		A/R	
031-088	\$2.65	VALVE ADJ. SHIM, .088		A/R	
031-089	\$2.65	VALVE ADJ. SHIM, .089		A/R	
031-090	\$2.65	VALVE ADJ. SHIM, .090		A/R	
031-091	\$2.65	VALVE ADJ. SHIM, .091		A/R	
031-092	\$2.65	VALVE ADJ. SHIM, .092		A/R	
031-093	\$2.65	VALVE ADJ. SHIM, .093		A/R	
031-094	\$2.65	VALVE ADJ. SHIM, .094		A/R	
031-095	\$2.65	VALVE ADJ. SHIM, .095		A/R	
031-096	\$2.65	VALVE ADJ. SHIM, .096		A/R	
031-097	\$2.65	VALVE ADJ. SHIM, .097		A/R	
031-098	\$2.65	VALVE ADJ. SHIM, .098		A/R	
031-099	\$2.65	VALVE ADJ. SHIM, .099		A/R	
031-100	\$2.65	VALVE ADJ. SHIM, .100		A/R	
031-101	\$2.65	VALVE ADJ. SHIM, .101		A/R	
031-102	\$2.65	VALVE ADJ. SHIM, .102		A/R	
031-103	\$2.65	VALVE ADJ. SHIM, .103		A/R	
031-104	\$2.65	VALVE ADJ. SHIM, .104		A/R	
031-105	\$2.65	VALVE ADJ. SHIM, .105		A/R	
031-106	\$2.65	VALVE ADJ. SHIM, .106		A/R	
031-107	\$2.65	VALVE ADJ. SHIM, .107		A/R	
031-108	\$2.65	VALVE ADJ. SHIM, .108		A/R	
031-109	\$2.65	VALVE ADJ. SHIM, .109		A/R	
031-110	\$2.65	VALVE ADJ. SHIM, .110		A/R	
011-940	\$7.00	TAPPET, cam follower		24	
C30075-2	\$1.15	WASHER, cam bearing holder		24	
C37523	\$4.60	DOME NUT, cyl head		28	
C32524	\$8.85	DOME NUT, cyl head		8	
C29419	\$0.50	WASHER, dome nut		28	

XJ12 OIL SYSTEM

C43923	\$397.95	OIL COOLER, engine	XJ12 76-79	1	
C38074	\$339.95	HOSE, oil cooler feed	XJ12 76-79	1	
C38075	\$377.95	HOSE, oil cooler	XJ12 76-79	1	
EAC6337	\$2.15	GASKET, filter head	XJ12 76-79	1	
GFE153	NA	OIL FILTER, cartridge	XJ12 73-74	1	
950-095	\$12.40	OIL FILTER, cartridge	XJ12 75-79	1	Crosland
950-595	\$9.95	OIL FILTER, spin-on	XJ12 75-79	1	various manufacturers

MOUNTS

JLM1009	\$21.95	MOUNT, engine	XJ6 68-87	2	
JLM1010	\$26.95	MOUNT, engine	XJ12 73-79	2	MHC7522AA
C30314	\$14.95	MOUNT, front crossmember	XJ6 68-87, XJ12 73-79	2	Round
C45666	\$33.30	MOUNT, front crossmember	XJ6 68-87, XJ12 73-79	2	V-mount
CBC2517	\$11.95	MOUNT, transmission seat	XJ6 68-87, XJ12 73-79	2	OE
CBC2517-AM	\$3.40	MOUNT, transmission seat	XJ6 68-87, XJ12 73-79	2	Aftermarket
C32461-AM	\$16.95	MOUNT, transmission side block	XJ6 74-87	2	Aftermarket
CAC3227-AM	\$4.20	SPOOL, transmission mount	XJ6 68-87, XJ12 73-79	1	
C12299	\$41.75	SPRING, transmission mount	XJ6 68-73	1	
C45902	\$28.60	SPRING, transmission mount	XJ6 74-87	1	Black/white

AUTOMATIC TRANSMISSION

12598-AM	NA	KIT, filter and gasket	XJ6 68-73		
			XJ12 73-75	1	B/W model 12
0555-334151	\$18.25	KIT, filter and gasket	XJ6 74-87	1	Model 65 and 66
AAU6639-AM	NA	KIT, filter and gasket	XJ12 76-78	1	GM400
10728-1	NA	GASKET, transmission pan	XJ6 68-73		
			XJ12 73-75	1	Model 12/35

Note: -AM suffix on part number indicates after-market part

XJ6-XJ12 Transmission, Exhaust

Part No.	Price (each)	Description	Application	Qty.	Notes Req.
AAU2073	\$6.30	GASKET, transmission filter	XJ6 74-87	1	Model 65/66
12553	NA	SEAL, front pump	XJ6 68-73		
			XJ12 73-75	1	Model 12
BAU1034	\$4.30	SEAL, front pump	XJ6 74-87	1	Model 65/66
12549	NA	SEAL, rear transmission	XJ6 68-73		
			XJ12 73-75	1	Model 12
120-400	\$8.95	SEAL, rear transmission	XJ6 74-87	1	Model 65/66
JLM375	NA	SEAL, rear transmission	XJ12 76-78	1	GM400
461-445	\$4.50	SEAL, speedo pinion	XJ6 68-73		
			XJ12 73-78	1	At speedo gear
031-784	\$25.95	LOCKTAB, flexplate	XJ6 68-87		
			XJ12 73-78	1	XJ6 retrofit for -78
C44238	\$88.95	CABLE, kickdown	XJ6 75-87	1	Model 65/66
C44238-AM	\$22.95	CABLE, kickdown	XJ6 75-87	1	Model 65/66
CBC5224	\$199.95	CABLE, shift	XJ6 80-87	1	
CBC5224-AM	\$39.95	CABLE, shift	XJ6 80-87	1	
CAC4770	\$55.95	PRNDL, shift plate	XJ6 80-87	1	W/o cruise control
CAC2864	\$11.95	BRUSHES, prndl	XJ6 68-87		
			XJ12 73-78	1	
141-100	\$25.95	SWITCH, reverse light	XJ6 68-87		
			XJ12 73-78	1	Detent ball
SMB499-AM	\$11.20	SWITCH, reverse light	XJ6 68-87		
			XJ12 73-78	1	Intermotor
C33509	\$16.95	MICROSWITCH, kickdown	XJ6 76-87		
			XJ12 76-78	1	Neutral safety switch -79
DAC4155	\$106.95	SWITCH, inhibitor	XJ6 80-87	1	
DAC4570	\$114.95	TRANSDUCER, speedo	XJ6 82.5-87	1	Electronic speedo
CBC2517	\$11.95	SEAT, transmission spring	XJ6 68-87		
			XJ12 73-78	2	OE
CBC2517-AM	\$3.40	SEAT, transmission spring	XJ6 68-87		
			XJ12 73-78	2	
C32461-AM	\$16.95	MOUNT, trans side block	XJ6 74-87	2	Aftermarket
CAC3227-AM	\$4.20	SPOOL, trans mount	XJ6 68-87		
			XJ12 73-78	1	Aftermarket
C12299	\$41.75	SPRING, trans mount	XJ6 68-73	1	
C45902	\$28.60	SPRING, trans mount	XJ6 74-87	1	Black/white
DIFFERENTIAL					
CBC2104-28R	NA	DIFFERENTIAL ASSY, rebuilt	XJ6 80-87	1	2.88:1 not POWER-LOK
	NA	CORE CHARGE for CBC2104-28R			
011-222	\$43.95	BEARING, carrier	XJ6 68-87, XJ12 73-79	2	
12252	\$24.95	BEARING, pinion inner	XJ6 68-87, XJ12 73-79	1	
125-150	\$19.95	BEARING, pinion front	XJ6 68-87, XJ12 73-79	1	
12261	NA	BEARING, stub axle	XJ6 68-76.5, XJ12 73-76.5	2	
CAC4999	\$11.95	BEARING, stub axle	XJ6 76.5-87, XJ12 73-79	4	
12456	\$15.95	CRUSH SLEEVE, pinion bearing	XJ6 68-87, XJ12 73-79	1	
031-954	\$2.35	GASKET, cover	XJ6 68-87, XJ12 73-79	1	
12473	\$1.90	O-RING, stub axle	XJ6 68-76.5, XJ12 73-76.5	2	
RTC1340	\$0.60	O-RING, stub axle	XJ6 76.5-87, XJ12 73-79	2	
535-234	\$21.95	OIL SEAL, pinion	XJ6 68-76.5, XJ12 73-76.5	1	
JLM527	\$12.50	OIL SEAL, pinion	XJ6 76.5-87, XJ12 73-79	1	
RTC1216	\$12.95	OIL SEAL, stub axle	XJ6 68-76.5, XJ12 73-76.5	2	
JLM1264	\$18.95	OIL SEAL, stub axle	XJ6 76.5-87, XJ12 73-79	2	
JLM1264-AM	\$5.95	OIL SEAL, stub axle	XJ6 76.5-87, XJ12 73-79	2	
RTC1348	\$12.95	CRUSH SLEEVE, stub axle	XJ6 76.5-87, XJ12 73-79	2	
CAC3067	\$28.95	MOUNT, V-block	XJ6 68-87, XJ12 73-79	4	
EXHAUST					
6403901	NA	DOWN PIPE, front	XJ6 68-72	1	2 into 1 into 2
6203902	NA	PIPE, front RH	XJ6 68-72	1	
6203903	NA	PIPE, front LH	XJ6 68-72	1	
5103904	\$99.95	MUFFLER, front RH	XJ6 68-72	1	
5103905	\$99.95	MUFFLER, front LH	XJ6 68-72	1	
6103911	NA	PIPE, rear RH	XJ6 68-72	1	Over axle
6103912	NA	PIPE, rear LH	XJ6 68-72	1	Over axle
5203913	\$89.95	MUFFLER, rear RH	XJ6 68-72	1	
5203914	\$89.95	MUFFLER, rear LH	XJ6 68-72	1	
	NA	TIP, tailpipe	XJ6 68-71	2	Straight
GEG754	\$2.65	GASKET, downpipe	XJ6 68-72	2	
GEX7459	\$2.95	MOUNT, rubber	XJ6 68-72	2	At cross over pipe
GEX7324	\$7.45	MOUNT, bakelite bushing	XJ6 68-72	2	At cross over pipe
GEX7460	NA	MOUNT, muffler rear	XJ6 68-72	2	
6103917	NA	DOWN PIPE, front	XJ6 73-74	1	To Y pipe
6103920	\$349.95	DOWN PIPE, front	XJ6 75-76	1	To catalyst
MM1426	NA	CATALYST, front	XJ6 75-76	1	
	NA	Y PIPE, intermediate	XJ6 73-74	1	Short wheel base
6603919	\$104.95	Y PIPE, intermediate	XJ6 73-74	1	Long wheel base
5103904	\$99.95	MUFFLER, front RH	XJ6 73-76	1	
5103905	\$99.95	MUFFLER, front LH	XJ6 73-76	1	
6103911	NA	PIPE, rear RH	XJ6 73 only	1	Over axle
6103912	NA	PIPE, rear LH	XJ6 73 only	1	Over axle
6103921	NA	PIPE, rear RH	XJ6 74-76	1	Over axle
6103922	NA	PIPE, rear LH	XJ6 74-76	1	Over axle
5203913	\$89.95	MUFFLER, rear RH	XJ6 73 only	1	
5203914	\$89.95	MUFFLER, rear LH	XJ6 73 only	1	
5203923	NA	MUFFLER, rear RH	XJ6 74-76	1	
5203924	NA	MUFFLER, rear LH	XJ6 74-76	1	
GEX1511	NA	TIP, tailpipe RH	XJ6 73-76	1	'S' shape
GEX1512	NA	TIP, tailpipe LH	XJ6 73-76	1	'S' shape
GEG754	\$2.65	GASKET, downpipe	XJ6 73-76	2	
GEX7441	\$5.30	OLIVE, metal	XJ6 75-77	2	At front catalyst
GEX7459	\$2.95	MOUNT, rubber	XJ6 73-76	2	At cross over pipe
GEX7324	\$7.45	MOUNT, bakelite bushing	XJ6 73-76	2	At cross over pipe
GEX7460	NA	MOUNT, muffler rear	XJ6 73-76	2	
6103920	\$349.95	DOWN PIPE, front	XJ6 76-77	1	
MM1426	NA	CATALYST, front	XJ6 76-77	1	
5103905	\$99.95	MUFFLER, front LH	XJ6 76-77	1	
5103904	\$99.95	MUFFLER, front RH	XJ6 76-77	1	
6103921	NA	PIPE, rear RH	XJ6 76-77	1	Over axle
6103922	NA	PIPE, rear LH	XJ6 76-77	1	Over axle
5203923	NA	MUFFLER, rear RH	XJ6 76-77	1	
5203924	NA	MUFFLER, rear LH	XJ6 76-77	1	
GEX1511	NA	TIP, tailpipe RH	XJ6 76-77	1	'S' shape
GEX1512	NA	TIP, tailpipe LH	XJ6 76-77	1	'S' shape
GEG754	\$2.65	GASKET, downpipe	XJ6 76-77	2	
GEX7441	\$5.30	OLIVE, metal	XJ6 76-77	1	At front catalyst
GEX7459	\$2.95	MOUNT, rubber	XJ6 76-77	2	At cross over pipe
GEX7324	\$7.45	MOUNT, bakelite bushing	XJ6 76-77	2	At cross over pipe
GEX7460	NA	MOUNT, muffler rear	XJ6 76-77	2	
6103920	\$349.95	DOWN PIPE, front	XJ6 78 only	1	
MM1426	NA	CATALYST, front	XJ6 78 only	1	
MM1425	\$495.00	CATALYST, front	XJ6 78-79	1	2T69451- Downpipe
6603919	\$104.95	Y PIPE, intermediate	XJ6 78-79	1	2T69451-
5103971	\$114.95	MUFFLER, front RH	XJ6 78-79	1	
5103972	\$114.95	MUFFLER, front LH	XJ6 78-79	1	
6203957	NA	PIPE, rear RH	XJ6 78-79	1	Over axle
6203958	\$55.95	PIPE, rear LH	XJ6 78-79	1	Over axle
5203975	NA	MUFFLER, rear RH	XJ6 78-79	1	
5203976	NA	MUFFLER, rear LH	XJ6 78-79	1	
GEX1511	NA	TIP, tailpipe RH	XJ6 78-79	1	'S' shape
GEX1512	NA	TIP, tailpipe LH	XJ6 78-79	1	'S' shape
GEG754	\$2.65	GASKET, downpipe	XJ6 78-79	2	
GEX7441	\$5.30	OLIVE, metal	XJ6 78-79	2	At front catalyst
444-130	\$2.95	OLIVE, metal	XJ6 77-79	2	At rear catalyst
GEX7459	\$2.95	MOUNT, rubber	XJ6 78-79	2	At cross over pipe
GEX7324	\$7.45	MOUNT, bakelite bushing	XJ6 78-79	2	At cross over pipe
GEX7460	NA	MOUNT, muffler rear	XJ6 78-79	2	
	NA	DOWN PIPE, front	XJ6 80 only	1	Without catalyst
6603919	\$104.95	Y PIPE, intermediate	XJ6 80 only	1	Without catalyst
MM1425	\$495.00	CATALYST, front	XJ6 80-87	1	Downpipe assy
MM1427	\$350.95	CATALYST, rear	XJ6 81-87	1	Y pipe assy
5103971	\$114.95	MUFFLER, front RH	XJ6 80-87	1	
5103972	\$114.95	MUFFLER, front LH	XJ6 80-87	1	
6203957	NA	PIPE, rear RH	XJ6 80-83	1	Over axle
6203958	\$55.95	PIPE, rear LH	XJ6 80-83	1	Over axle
6204062	\$69.95	PIPE, rear RH	XJ6 83-87	1	Over axle
6204063	\$68.95	PIPE, rear LH	XJ6 83-87	1	Over axle
5204052	\$99.95	MUFFLER, rear RH	XJ6 80-87	1	
5204053	\$99.95	MUFFLER, rear LH	XJ6 80-87	1	
444-130	\$2.95	OLIVE, metal	XJ6 80-87	2	Over axle pipe
GEX1782	NA	TIP, tailpipe RH	XJ6 80-81	1	
GEX1783	NA	TIP, tailpipe LH	XJ6 80-81	1	
GEX1792	\$59.95	TIP, tailpipe	XJ6 82-87	2	Without flare
CAC4332	\$73.95	TIP, tailpipe	XJ6 82-87	2	With flare
GEG754	\$2.65	GASKET, downpipe	XJ6 80-87	2	
GEX7441	\$5.30	OLIVE, metal	XJ6 80-87	2	At front catalyst
444-130	\$2.95	OLIVE, metal	XJ6 80-87	2	At rear catalyst
GEX7459	\$2.95	MOUNT, rubber	XJ6 80-83	2	At cross over pipe
GEX7324	\$7.45	MOUNT, bakelite bushing	XJ6 80-83	2	At cross over pipe
CAC2751	\$4.15	MOUNT, rubber	XJ6 83-87	2	At cross over pipe
CAC2750	\$10.25	MOUNT, bakelite bushing	XJ6 83-87	2	At cross over pipe
GEX7460	NA	MOUNT, muffler rear	XJ6 80-87	2	
6103948	NA	DOWN PIPE, front RH	XJ12 74 only	1	
MM1432	NA	CATALYST, front RH	XJ12 75 only	1	At downpipe
6103949	NA	DOWN PIPE, front LH	XJ12 74 only	1	
MM1433	NA	CATALYST, front LH	XJ12 75 only	1	At downpipe

LOCAL & OVERSEAS: 805-681-3400
 FAX: 805-692-2525 www.mossmotors.com

MOSS

Note: -AM suffix on part number indicates after-market part

JAG XJ6XJ12

XJ6-XJ12 Exhaust, Fuel System

Part No.	Price (each)	Description	Application	Qty.	Notes
6603951	NA	PIPE, intermediate	XJ12 74 only	2	Sedan only
5103929	NA	MUFFLER, front RH	XJ12 74-75	1	
5103930	NA	MUFFLER, front LH	XJ12 74-75	1	
6203940	NA	PIPE, rear RH	XJ12 74-75	1	Over axle
6203941	NA	PIPE, rear LH	XJ12 74-75	1	Over axle
5203942	NA	MUFFLER, rear RH	XJ12 74-75	1	
5203943	NA	MUFFLER, rear LH	XJ12 74-75	1	
GEX1511	NA	TIP, tailpipe RH	XJ12 74-75	1	'S' shape
GEX1512	NA	TIP, tailpipe LH	XJ12 74-75	1	'S' shape
GEG754	\$2.65	GASKET, downpipe	XJ12 74-75	4	
GEX7441	\$5.30	OLIVE, metal	XJ12 75	2	At front catalyst
GEX7459	\$2.95	MOUNT, rubber	XJ12 74-75	2	At cross over pipe
GEX7324	\$7.45	MOUNT, bakelite bushing	XJ12 74-75	2	At cross over pipe
GEX7460	NA	MOUNT, muffler rear	XJ12 74-75	2	
MM1432	NA	CATALYST, front RH	XJ12 76-78	1	At downpipe
MM1433	NA	CATALYST, front LH	XJ12 76-78	1	At downpipe
	NA	PIPE, intermediate RH	XJ12 76-78	1	Sedan only
	NA	PIPE, intermediate LH	XJ12 76-78	1	Sedan only
5103929	NA	MUFFLER, front RH	XJ12 76-77	1	
5103930	NA	MUFFLER, front LH	XJ12 76-77	1	
5103955	\$119.95	MUFFLER, front RH	XJ12 78 only	1	
5103956	\$130.95	MUFFLER, front LH	XJ12 78 only	1	
6203940	NA	PIPE, rear RH	XJ12 76-77	1	Over axle
6203941	NA	PIPE, rear LH	XJ12 76-77	1	Over axle
6203957	NA	PIPE, rear RH	XJ12 78 only	1	Over axle
6203958	\$55.95	PIPE, rear LH	XJ12 78 only	1	Over axle
5203975	NA	MUFFLER, rear RH	XJ12 76-78	1	
5203976	NA	MUFFLER, rear LH	XJ12 76-78	1	
GEX1511	NA	TIP, tailpipe RH	XJ12 76-78	1	'S' shape
GEX1512	NA	TIP, tailpipe LH	XJ12 76-78	1	'S' shape
GEG754	\$2.65	GASKET, downpipe	XJ12 76-78	4	
GEX7441	\$5.30	OLIVE, metal	XJ12 76-78	1	At front catalyst
GEX7459	\$2.95	MOUNT, rubber	XJ12 76-78	2	At cross over pipe
GEX7324	\$7.45	MOUNT, bakelite bushing	XJ12 76-78	2	At cross over pipe
GEX7460	NA	MOUNT, muffler rear	XJ12 76-78	2	
MM1432	NA	CATALYST, front RH	XJ12 78-79	1	At downpipe
MM1433	NA	CATALYST, front LH	XJ12 78-79	1	At downpipe
	NA	PIPE, intermediate RH	XJ12 78-79	1	Sedan only
	NA	PIPE, L/H intermediate	XJ12 78-79	1	Sedan only
5103955	\$119.95	MUFFLER, front RH	XJ12 78-79	1	
5103956	\$130.95	MUFFLER, front LH	XJ12 78-79	1	
6203957	NA	PIPE, rear RH	XJ12 78-79	1	Over axle
6203958	\$55.95	PIPE, rear LH	XJ12 78-79	1	Over axle
5203975	NA	MUFFLER, rear RH	XJ12 78-79	1	
5203976	NA	MUFFLER, rear LH	XJ12 78-79	1	
GEX1511	NA	TIP, tailpipe RH	XJ12 78-79	1	'S' shape
GEX1512	NA	TIP, tailpipe LH	XJ12 78-79	1	'S' shape
GEG754	\$2.65	GASKET, downpipe	XJ12 78-79	4	
GEX7441	\$5.30	OLIVE, metal	XJ12 78-79	1	At front catalyst
444-130	\$2.95	OLIVE, metal	XJ12 78-79	2	At rear catalyst
GEX7459	\$2.95	MOUNT, rubber	XJ12 78-79	2	At cross over pipe
GEX7324	\$7.45	MOUNT, bakelite bushing	XJ12 78-79	2	At cross over pipe
GEX7460	NA	MOUNT, muffler rear	XJ12 78-79	2	

FUEL SYSTEM

C28080	\$62.95	FILTER, fuel	XJ6 70-73	1	
C28080-AM	\$11.50	FILTER, fuel	XJ6 70-73	1	
JS660	\$24.95	FILTER, fuel	XJ6 73-75, XJ12 73-74	1	
C41817	NA	FILTER, fuel	XJ6 76-77	1	
73176	NA	FILTER, fuel	XJ6 78-79	1	
73145	NA	FILTER, fuel	XJ12 75-78	1	
950-100	\$24.95	FILTER, fuel	XJ6 80-87	1	Crosland
950-600	\$24.95	FILTER, fuel	XJ6 80-87	1	various manufacturers
377-161	\$127.95	FUEL PUMP	XJ6 68-75	1/2	O-rings @ banjo
377-036	\$349.95	FUEL PUMP	XJ12 73-75	1	Double pump
CAC3551-AM	\$104.95	FUEL PUMP KIT, LH or RH	XJ6 76-77	1	Pump only
73351	NA	FUEL PUMP, in trunk	F.I. XJ6 78-87	1	suggest using 73144
73144	\$258.95	FUEL PUMP, F.I.	XJ12 75-79	1	
CAC5522-1	\$660.65	TANK, fuel RH	XJ6 79-87	1	
CAC5523-1	NA	TANK, fuel LH	XJ6 79-87	1	
C27738	\$62.95	SENDING UNIT, tank RH	XJ6/12 68-76.5, 78-79	1	
C27739	\$62.95	SENDING UNIT, tank LH	XJ6/12 68-76.5, 78-79	1	
CAC2800-AM	NA	SENDING UNIT, tank RH	XJ6/12 76.5-78, 80-87	1	
CAC2801-AM	\$50.55	SENDING UNIT, tank LH	XJ6/12 76.5-78, 80-87	1	
360-645	\$14.95	FLOAT, sending unit	XJ6 68-87, XJ12 73-79	1	
TSU101	\$2.50	KIT, seal and clamp	XJ6 68-87, XJ12 73-79	1	
293-410	\$0.95	SEAL, sending unit & immersed pumps	XJ6 68-87, XJ12 73-79	1	
360-665	\$1.75	CLAMP, sending unit & immersed pumps	XJ6 68-87, XJ12 73-79	1	
AEU1576	\$49.95	SEAL, gas cap RH	XJ6 79-87	1	

Note: -AM suffix on part number indicates after-market part

Part No.	Price (each)	Description	Application	Qty.	Notes
AEU4174	\$49.95	SEAL, gas cap LH	XJ6 79-87	1	
CBC4270	\$68.95	VALVE, fuel return RH	XJ6 74-87, XJ12 74-79	1	TDA831
CAC3939	\$72.95	VALVE, fuel return LH	XJ6 74-87, XJ12 74-79	1	TDA832
CBC4269	\$81.95	VALVE, fuel feed 3-way	XJ6 74-87, XJ12 74-79	1	TDA830
C31821	NA	CABLE, accelerator	XJ6 74-79	1	31 inches
C31821-1	NA	CABLE, accelerator	XJ6 74-79	1	36 inches
C31821-1-AM	NA	CABLE, accelerator	XJ6 74-79	1	36 inches
CBC1905-2	\$54.95	CABLE, accelerator	XJ6 78-87	1	51 inches
CBC1915-1	\$126.95	CABLE, accelerator	XJ12 73-79	1	
C33509	\$16.95	SWITCH, kickdown	All Jags when used	1	
C34388	\$3.20	BUSH, firewall mount	All Jags when used	1	

CARBURETORS

C34388	\$3.20	BUSHING, accelerator	XJ6 68-81	1	At firewall plate
ZE-19K	\$27.95	KIT, carburetor overhaul	XJ6 68-79	2	Stromberg
ZE-20K	\$28.50	KIT, carburetor overhaul	XJ12 73-74	4	Stromberg
366-040	\$3.95	DIAPHRAGM, carb	XJ6 68-76	2/4	Stromberg
B20287	\$34.95	NEEDLE, metering B1AR	XJ6 68-71	2	Stromberg
B21582	\$18.95	JET	XJ6 68-79	2	Stromberg
365-370	\$20.95	DAMPER, dash pot	XJ12 73-74	2/4	Stromberg
696-025	\$1.95	SEAL, throttle shaft	XJ6 68-76	2	Stromberg
365-505	\$22.95	FLOAT, carburetor	XJ6 68-76	2	Stromberg
365-530	\$10.95	NEEDLE and SEAT	XJ6 68-76	2	Stromberg
386-350	\$9.95	NEEDLE and SEAT, grose jet	XJ6 68-76	2	Stromberg
B18536-AM	\$3.65	GASKET, carb float	XJ6 68-76	2	Stromberg
365-745	\$10.95	DIAPHRAGM KIT, bypass valve	XJ6 68-76	2	Stromberg
AGU1506	\$0.85	CLIP, choke	Stromberg	1	
386-310	\$9.85	TOOL, carb adjusting	Stromberg	1	
220-225	\$8.95	DAMPER OIL	Stromberg	1	
B21989	NA	NEEDLE, metering B1BT	XJ6 71-72	2	Stromberg
B22415	\$27.95	NEEDLE, metering B1CG	XJ6 72-74	2	Stromberg
B23759	NA	NEEDLE, metering B2AZ	XJ6 74 (later)	2	Stromberg
B24399	\$27.95	NEEDLE, metering B2BC	XJ6 75-76	2	Stromberg

FUEL INJECTION XJ6

73179	\$199.95	INJECTOR, fuel	XJ6 77-87	6	
54739778	\$1.95	O-RING, injector (small)	XJ6 77-87	6	
54739776	\$2.35	O-RING, injector (large)	XJ6 77-87	6	
EAC4406	\$0.55	O-RING, injector (tip)	XJ6 77-87	6	
FDB304	\$169.95	INJECTOR, cold start	XJ6 77-87	1	
C42162	NA	GASKET, cold start injector	XJ6 77-87	1	
73177	\$113.95	PRESSURE regulator	XJ6 77-83	1	
73232	\$99.95	PRESSURE regulator	XJ6 84-87	1	
SNB802	\$23.45	SENSOR, water temp	XJ6 77-91	1	
SNB802-AM	\$18.25	SENSOR, water temp	XJ6 77-91	1	Aftermarket
072-375	\$60.95	OXYGEN SENSOR, lambda	XJ6 77-85	1	Single wire
AGU1870	\$224.95	OXYGEN SENSOR, lambda	XJ6 78-87 (some)	1	3 wire
33704	\$88.95	SWITCH, thermo time	XJ6 77-87	1	
33703	\$84.95	SWITCH, throttle	XJ6 77-87	1	
33394	\$113.95	RELAY, main pump	XJ6 77-87	1	
SRB304	\$13.95	RELAY, fuel injection	XJ6 77-87	2	
73184	\$204.95	POWER RESISTOR	XJ6 77-87	2	
73174	NA	EXTRA AIR VALVE	XJ6 77-81	1	Aux. air valve
73212	\$232.95	AUXILIARY AIR VALVE	XJ6 82-87	1	Extra air valve
EAC6780	NA	HOSE, air flow meter	XJ6 77-87	1	Accordian
EAC1301	\$5.95	HOSE, throttle body to manifold	XJ6 77-87	1	Straight
LRZ500	NA	AIR FLOW METER, rebuilt	XJ6 77-87	1	
	NA	CORE CHARGE for LRZ500		1	
EAC6806	\$18.95	MOUNT, air flow meter	XJ6 77-87	3	
011-101	\$3.95	MOUNT, air flow meter	XJ6 77-87	3	Aftermarket
54739496	\$12.35	VALVE, fuel non return	XJ6 74-87	1	
C43265-1	\$3.15	SEAL, throttle body	XJ6 77-87	2	

FUEL INJECTION XJ12

54739778	\$1.95	SEAL, injector (small)	XJ12 75-79	12	
54739776	\$2.35	SEAL, injector (large)	XJ12 75-79	12	
73160	\$174.95	INJECTOR, cold start	XJ12 75-79	2	
73146	\$59.95	PRESSURE regulator	XJ12 77-79	1	
73142	NA	SENSOR, water temperature	XJ12 75-79	1	
73192	\$233.95	AUXILIARY AIR VALVE	XJ12 76.5-79	1	'Extra air valve'
54739496	\$12.35	VALVE, fuel pump non-return	XJ12 75-79	1	
33704	\$88.95	SWITCH, thermo time	XJ12 75-79	1	
33354	NA	RELAY, main	XJ12 75-79	1	
33355	NA	RELAY, pump	XJ12 75-79	1	
33355	NA	RELAY, cold start	XJ12 75-79	1	

MOSS

MOSS MOTORS, LTD. 1-800-667-7872
TOLL-FREE ORDERS

Part No.	Price (each)	Description	Application	Qty.	Notes
V BELTS & THERMOSTATS					
GCB21160	\$11.50	BELT, water pump/power steering	XJ6 68-73	1	
460-970	\$5.75	BELT, alternator	XJ6 68-73	1	W/Butec alt
GCB10887	\$6.95	BELT, alternator	XJ6 68-73	1	W/Lucas alt
GFB20993	\$12.95	BELT, air conditioning	XJ6 68-73	1	
GCB10887	\$6.95	BELT, smog pump	XJ6 70-73	1	
GCB21160	\$11.50	BELT, water pump/power steering	XJ6 74-79	1	
GCB10887	\$6.95	BELT, alternator	XJ6 74-79	1	
GFB20993	\$12.95	BELT, air conditioning	XJ6 74-79	1	
GCB10887	\$6.95	BELT, smog pump	XJ6 74-79	1	
GCB10850	\$6.65	BELT, alternator	XJ6 80-81.5 -326017	1	
GCB10825	\$8.95	BELT, alternator	XJ6 81.5-87 326016-	1	
GCB21160	\$11.50	BELT, water pump/power steering	XJ6 80-87	1	
GFB20993	\$12.95	BELT, air conditioning	XJ6 80-87	1	
GCB10887	\$6.95	BELT, smog pump	XJ6 80-87	1	
GFB21512	NA	BELT, fan	XJ12 73-79	1	
GCB10850	\$6.65	BELT, alternator	XJ12 73-79	1	
GFB21512	NA	BELT, air conditioning	XJ12 73-79	1	
GCB21075	\$10.45	BELT, power steering	XJ12 73-79	1	
071-232	\$10.95	THERMOSTAT, 165F (74C)	XJ6 68-87, XJ12 73-79	1	Summer
071-226	\$6.75	THERMOSTAT, 180F (82C)	XJ6 68-87, XJ12 73-79	1	
GTS271	\$13.95	THERMOSTAT, 190F (88C)	XJ6 68-87, XJ12 73-79	1	
GTG107	\$1.45	GASKET, thermostat	XJ6 68-87	1	
EAC7044	\$1.50	GASKET, thermostat INNER	XJ6 68-87	1	Hsg. to manifold
EAC7046	\$1.50	GASKET, t-stat housing	XJ6 77-87	1	
GTG128	\$6.75	GASKET, thermostat	XJ12 73-74	2	
GTG129	\$2.65	GASKET, thermostat LH	XJ12 75-79	1	
GTG130	\$2.10	GASKET, thermostat RH	XJ12 75-79	1	

AIR CONDITIONING

KRC1152	\$0.55	O-RING, small 1/8'	XJ6/12 77.5-87		
KRC1154	NA	O-RING, medium 15/32'	XJ6 78-87	A/R	Various A/C apps
KRC1156	\$1.95	O-RING, large 3/8'	XJ6/12 77.5-87	A/R	Various A/C apps
KRC1158	\$0.95	O-RING, medium 11/16'	XJ6 77.5-87	A/R	Various A/C apps
C32083-AM	NA	RECEIVER DRIER	XJ6 68-77.5	1	Various A/C apps
CAC2338-AM	\$125.00	RECEIVER DRIER	XJ6 77.5-82	1	Vertical w/bracket
CAC1622-AM	NA	RECEIVER DRIER	XJ12 73-80	1	Horizontal, no o-rings
CAC1881-AM	NA	RECEIVER DRIER	XJ6 82-87	1	Horizontal, with o-rings
C41014	\$1.10	PAD, receiver drier mount	XJ6 82-87	2	Fits around CAC1881
EAC3386R	NA	COMPRESSOR, rebuilt	XJ6 74-87	1	Heat switch version
DAC3374	NA	SWITCH, limiter	XJ6 68-87	1	
CAC3119	NA	CONDENSER, a/c	XJ6 78-81	1	
CBC2809-AM	NA	CONDENSER, a/c	XJ6 82-87	1	
CBC1448	NA	MOUNT, condenser	XJ6 68-87, XJ12 73-78	2/4	
AEU1191-AM	\$177.95	EVAPORATOR	XJ6/12 77.5-87, XJ12 77.5-78	1	
CAC2355	NA	HOSE, cooler to comp.	XJ6 74-77	1	
CAC3324	\$40.00	HOSE, comp. to cond.	XJ6 78-85.5 -424474	1	
CAC3324-AM	NA	HOSE, comp. to cond.	XJ6 78-85.5 -424474	1	
CAC2035	\$136.70	HOSE, drier to evap.	XJ6 78-82.5 -330665	1	
CAC4019	\$117.95	HOSE, drier to evap.	XJ6 82.5-87 330666-	1	Metric fittings
CAC1869	\$146.95	HOSE, evap. to cooler	XJ6 78-85.5 -424474	1	
CAC1869-AM	\$52.95	HOSE, evap. to cooler	XJ6 78-85.5 -424474	1	
CAC6665	\$92.95	HOSE, comp. to cond.	XJ6 85.5-87 424475-	1	
CAC6657	NA	HOSE, evap. to cooler	XJ6 85.5-87 424475-	1	
BBC7563	NA	RADIO PLATE, a/c and heating	XJ6 80-87	1	In dash
C39413	\$6.65	KNOB, control	XJ6 74-87, XJ12 74-78	2	White rectangle
C41403	\$3.55	LOCK NUT, knob	XJ6 74-87, XJ12 74-78	2	
RTC687	NA	SWITCH, vacuum	XJ6 74-87, XJ12 74-78	1	On control panel
RTC677	NA	RESISTOR, on a/c unit	XJ6 74-87, XJ12 74-78	1	Dual coil
RTC1914	NA	VALVE, heater flap	XJ6 74-87, XJ12 74-78	1	On blower motor
C42433	NA	SENSOR, ambient air	XJ6 74-87, XJ12 74-78	1	
C45402-AM	\$309.95	AMPLIFIER, a/c	XJ6 74-87, XJ12 74-78	1	USA made
SRB303	\$115.95	RELAY, a/c	XJ6 74-87, XJ12 74-78	1	
CAC4188-AM	\$48.95	CHECK VALVE	XJ6 74-87	2	Black & white
BAC1586	\$86.70	VENT, center	XJ6 74-87	1	
BD38453	NA	VENT, top LH	XJ6 74-87	1	Adjustable
BD38452	NA	VENT, top RH	XJ6 74-87	1	Adjustable

STEERING

26-1912	NA	STEERING RACK, rebuilt	XJ6 68-76, XJ12 73-75	1	Tall tower
26-1913	NA	STEERING RACK, rebuilt	XJ6 76-82, XJ12 76-79	1	Short tower,
26-1915	NA	STEERING RACK, rebuilt	XJ6 82-87	1	Short tower, small ends
11983	\$68.95	SEAL KIT, steering rack only	XJ6 68-70.5	1	Power assist
12715-AM	\$58.95	SEAL KIT, steering rack	XJ6 70.5-73, XJ12 73	1	Aftermarket

Part No.	Price (each)	Description	Application	Qty.	Notes
JS726	\$79.95	SEAL KIT, steering rack	XJ6 74-77, XJ12 74-75	1	
AAU1503	\$119.95	SEAL KIT, steering rack	XJ6 78-80.5, XJ12 76-79	1	
JLM533-AM	\$80.95	SEAL KIT, steering rack	XJ6 80.5-87	1	Aftermarket
AEU1248	\$3.95	TOWER SEAL, short tower	XJ6 76-87, XJ12 76-79	1	Comes in rack seal kit
EAC3167-AM	\$201.95	PUMP, steering w/o hub	XJ6 77-87, XJ12 77-79	1	Metric fittings
37H7627J	\$21.95	CAP, power steering pump	XJ6 68-87, XJ12 73-79	1	
CAC1634	\$15.95	MOUNT, rack	XJ6 68-87	3	
CAC1634-AM	\$7.20	MOUNT, rack	XJ6 68-87	3	
CAC1635	\$9.95	MOUNT, rack	XJ12 73-79	3	
CAC1635-AM	\$7.20	MOUNT, rack	XJ12 73-79	3	
CAC1635K	\$25.95	MOUNT KIT, poly.	XJ6 68-87, XJ12 73-79	1	complete kit
C29406	\$2.75	WASHER, rack mount	XJ6 68-87, XJ12 73-79	4/6	Rubberized
387-045	NA	TOOL, rack mount	XJ6 68-87, XJ12 73-79	1	For mount installation
SRG828	\$19.95	BOOT KIT, rack	XJ6 68-76, XJ12 73-76	1	Both boots w/clamps
011-018	\$11.95	BOOT KIT, rack	XJ6 76-87, XJ12 76-79	1	Both boots w/clamps
JLM409	\$59.95	TIE ROD, inner	XJ6 82-87	2	Can retrofit 76-82
JLM469	\$185.80	TIE ROD, kit	XJ6 82-87	2	Can retrofit 76-82
GSJ206	NA	TIE ROD END, outer	XJ6 68-82, XJ12 73-79	2	Standard fittings
GSJ206-AM	\$21.20	TIE ROD END, outer	XJ6 68-82, XJ12 73-79	2	Standard fittings
GSJ203	\$33.95	TIE ROD END, outer	XJ6 82-87	2	Metric fittings
GSJ203-AM	\$21.95	TIE ROD END, outer	XJ6 82-87	2	Metric fittings
680-060	\$2.90	BOOT, tie rod end	XJ6 68-87, XJ12 73-79	2	Replacement
C37741	NA	HOSE, low pressure	XJ6 68-78	1	Std fitting
C37742-AM	\$57.95	HOSE, high pressure	XJ6 68-78	1	Std fitting
CAC2484	\$68.95	HOSE, low pressure	XJ6 78-87	1	
CAC2485	\$105.95	HOSE, high pressure	XJ6 78-81 -312606	1	Aftermarket
CAC3653	\$99.95	HOSE, high pressure	XJ6 82-87 312607-	1	Metric fittings
CAC3653-AM	\$68.95	HOSE, high pressure	XJ6 82-87 312607-	1	Metric fittings
C36425	NA	HOSE, low pressure	XJ12 73-75	1	
C36426-AM	NA	HOSE, high pressure	XJ12 73-75	1	
C43722	\$75.95	HOSE, low pressure	XJ12 76-79	1	Rack to cooler
C43604-1	\$26.95	HOSE, low pressure	XJ12 76-79	1	Pump to cooler
C45538	\$50.00	HOSE, high pressure	XJ12 76-79	1	Standard fittings
C45538-AM	\$74.50	HOSE, high pressure	XJ12 76-79	1	Standard fittings
CBC4652	NA	STEERING COLUMN, upper	XJ6 80-87	1	With horn contact
CAC3059-1-AM	\$180.95	STEERING COLUMN, lower	XJ6 68-77.5	1	
CAC3059-2-AM	NA	STEERING COLUMN, lower	XJ12 73-77.5	1	Tall tower
CAC2765-3	\$386.95	STEERING COLUMN, lower	XJ6 77.5-79	1	Short tower
CAC3470	\$72.95	COUPLING, with u-joint	XJ12 77.5-79	1	With shield
C37102	\$209.95	STEERING LOCK, assy	XJ6 68-73	1	W/o switch (39998)
DAC1419	\$204.95	STEERING LOCK, assy	XJ6 74-79	1	With electrical
DAC4153	\$424.95	STEERING LOCK, assy	XJ12 74-79	1	No shear bolts
DAC4153-AM	\$181.95	STEERING LOCK, assy	XJ6 80-87	1	No shear bolts
39998	\$69.95	SWITCH, ignition	XJ6 68-79	1	
35315	\$79.95	SWITCH, ignition	XJ12 73-79	1	Can use 39415
DAC4154	\$4.45	SHEAR BOLT, steering lock	XJ6 80-87	1	
			XJ12 73-79	2	Breakaway head

EMISSION CONTROLS

CAC1259	NA	CARBON CANISTER	XJ6 70-79, XJ12 73-78	1	Suggest CAC3814
CAC3814	NA	CARBON CANISTER	XJ6 80-87	1	
C34017	\$84.95	CHECK VALVE	XJ6 68-87, XJ12 73-78	1	
367-110	\$59.95	VALVE, anti run on	XJ6 68-76.5, XJ12 73-76	1	
850-230	NA	SWITCH, thermo. vacuum	XJ6 68-79, XJ12 73-79	1	
EAC9711	NA	DIVERTER VALVE	XJ6 80-87	1	Harness mods. req'd.
C37990	\$15.95	GROMMET, diverter valve	XJ6 80-87	1	Factory unit
C37990-AM	\$1.95	GROMMET, diverter valve	XJ6 80-87	1	Aftermarket
C36930	\$418.95	AIR RAIL	XJ6 68-87	1	When fitted
C37990	\$15.95	GROMMET, air rail	XJ6 80-87	1	Factory unit
C37990-AM	\$1.95	GROMMET, air rail	XJ6 68-87, XJ12 73-79	A/R	
EAC1301	\$5.95	HOSE, air flow meter	XJ6 78-94	1	Straight
EAC6780	NA	HOSE, air flow meter	XJ6 76-87	1	Accordian
C37156	\$10.95	HOSE, check valve to rail	XJ6 68-87	1	
EBC1488	NA	HOSE, check valve to pipe	XJ6 68-87	1	
C36747	NA	HOSE, gulp valve	XJ6 68-74	1	U-shaped
C36756	NA	HOSE, gulp valve to filter	XJ6 68-79	1	
C44359	\$6.50	HOSE, diverter valve to pipe	XJ6 74-79	1	
EAC3954-1	\$22.95	HOSE, pipe to air cleaner	XJ6 80-87	1	Short 'L' hose
EAC3954-2	\$26.95	HOSE, diverter valve to pipe	XJ6 80-87	1	Long 'L' hose
C37156	\$10.95	HOSE, check valve to pipe	XJ12 76-79	1	
C44359	\$6.50	HOSE, diverter valve	XJ12 76-79	1	Elbow hose
EBC1488	NA	HOSE, air rail to 'T'	XJ12 76-79	2	
C34965	\$18.95	BOOT, breather 90	XJ6 68-78, XJ12 73-75	1	small
C44386	\$10.95	BOOT, breather 90	XJ6 79-87, XJ12 76-79	1	big

LOCAL & OVERSEAS: 805-681-3400

FAX: 805-692-2525

www.mossmotors.com

MOSS

XJ6-XJ12 Emission, Electrical

Part No.	Price (each)	Description	Application	Qty.	Notes Req.
ALTERNATOR/REGULATOR					
A2012	\$189.95	ALTERNATOR, rebuilt	XJ6 71-76	1	Where Lucas was OE
	\$50.00	CORE CHARGE for A2012			
A2503	NA	ALTERNATOR, rebuilt	XJ6 76-80	1	
	NA	CORE CHARGE for A2503			
A2510	\$199.95	ALTERNATOR, rebuilt	XJ6 81-87	1	
	\$65.00	CORE CHARGE for A2510			
A2011	NA	ALTERNATOR, rebuilt	XJ12 73-74	1	May need 60600700 kit
	NA	CORE CHARGE for A2011			
A2504	NA	ALTERNATOR, rebuilt	XJ12 75-76	1	Lucas 65amp
	NA	CORE CHARGE for A2504			
60600700	NA	ADAPTER KIT, key and bush	Various	1	
NCB144	\$64.95	VOLTAGE REGULATOR	XJ6 68-71	1	External. Fits A1121, A1112, A1113
UCB109	NA	VOLTAGE REGULATOR	XJ6 72-76	1	Lucas A2012
130-290	\$32.50	VOLTAGE REGULATOR	XJ6 76-80	1	Lucas A2503
UCB133	NA	VOLTAGE REGULATOR	XJ6 81-87	1	Lucas A2510
UCB109	NA	VOLTAGE REGULATOR	XJ12 73-74	1	Lucas A2011
130-290	\$32.50	VOLTAGE REGULATOR	XJ12 75-76	1	Lucas A2504
UCB109	NA	VOLTAGE REGULATOR	XJ12 76-79	1	Lucas A2502
STARTER/SOLENOID					
S3114	\$224.95	STARTER, rebuilt	XJ6 68-87	1	
	\$75.00	CORE CHARGE FOR S3114			
S4541	\$269.95	STARTER, rebuilt	XJ12 73-779	1	Conventional, Lucas
	\$75.00	CORE CHARGE FOR S4541			
T0B159	\$99.95	SOLENOID, starter	XJ6 68-87	1	With plunger
RELAYS					
542-235	\$12.95	RELAY, air conditioning	XJ6 68-73	1	
SRB111	\$56.95	RELAY, field isolating	XJ6 68-72	1	
C38616	\$106.95	RELAY, headlight	XJ6 68-73	1	Hella
SRB111	\$56.95	RELAY, heater blower	XJ6 73	1	
SRB111	\$56.95	RELAY, horn	XJ6 68-73	1	
SRB111	\$56.95	RELAY, ignition	XJ6 73	1	
542-235	\$12.95	RELAY, override	XJ6 73	1	
171-320	\$23.95	RELAY, starter ballast	XJ6 71	1	Blue
131-510	\$74.95	RELAY, starter	XJ6 68-70	1	
546-100	\$74.95	RELAY, starter	XJ6 71-73	1	
542-235	\$12.95	RELAY, a/c	XJ6/12 74-76	1	
SRB303	\$115.95	RELAY, a/c	XJ6/12 77-79	1	Hella
SRB146	\$72.95	RELAY, antenna	XJ6/12 75	1	Optional
542-330	\$34.95	RELAY, antenna	XJ6/12 76-79	1	Red
131-520	\$34.95	RELAY, brake warning light	XJ6/12 78-79	1	Black
542-330	\$34.95	RELAY, cooling fan	XJ6/12 74-79	1	Red
33355	NA	RELAY, cold start	XJ12 75-79	1	Fuel injection
SRB146	\$72.95	RELAY, door lock	XJ6/12 74-79	1	
C38955	NA	RELAY, door lock cut out	XJ6 74-79	1	In door
131-520	\$34.95	RELAY, fan override	XJ6/12 74-79	1	Black
542-330	\$34.95	RELAY, fuel cut off	XJ6/12 74-79	1	Red
33394	\$113.95	RELAY, fuel injection	XJ6 78-79, XJ12 76-79	1	
33355	NA	RELAY, fuel pump	XJ12 75-79	1	Fuel injection
33354	NA	RELAY, main injection	XJ12 75-79	1	Fuel injection
C38616	\$106.95	RELAY, headlight	XJ6/12 74-79	1	Hella
SRB111	\$56.95	RELAY, heater blower	XJ6/12 74	1	
131-520	\$34.95	RELAY, heater blower	XJ6/12 76-79	1	Black
SRB111	\$56.95	RELAY, horn	XJ6/12 74-75	1	
SRB111	\$56.95	RELAY, ignition protection	XJ6/12 74	1	
131-520	\$34.95	RELAY, ignition protection	XJ6/12 77-79	1	Black
542-235	\$12.95	RELAY, override	XJ6/12 74	1	
546-100	\$74.95	RELAY, starter	XJ6/12 74-79	1	
SRB111	\$56.95	RELAY, window lift	XJ6/12 74-76	1	
131-520	\$34.95	RELAY, window lift	XJ6/12 77-79	1	Black
C44001	\$77.95	THERMAL CUT-OUT	XJ6 74-79	1	electric window
SRB303	\$115.95	RELAY, a/c	XJ6 80-87	1	Hella
542-330	\$34.95	RELAY, antenna	XJ6 80-87	1	Red
33388	\$107.95	RELAY, antenna	XJ6 80-87	1	Green
131-520	\$34.95	RELAY, blower	XJ6 80-87	1	Black
542-330	\$34.95	RELAY, cooling fan	XJ6 80-87	1	Red
SRB302	NA	RELAY, door lock	XJ6 80-87	1	
C38955	NA	RELAY, door lock cut out	XJ6 80-87	1	In door
DAC1861	\$89.95	RELAY, fuel injection	XJ6 80-87	1	Red Pektron
131-520	\$34.95	RELAY, fan override	XJ6 80-87	1	Black
SRB304	\$13.95	RELAY, fuel cut off	XJ6 80-87	1	Bosch
C38616	\$106.95	RELAY, headlight	XJ6 80-87	1	Hella
131-520	\$34.95	RELAY, horn	XJ6 80-87	1	Black
131-520	\$34.95	RELAY, ignition	XJ6 80-87	1	Black
131-520	\$34.95	RELAY, ignition protection	XJ6 80-87	1	Black

Part No.	Price (each)	Description	Application	Qty.	Notes Req.
SRB304	\$13.95	RELAY, main fuel	XJ6 80-87	2	Bosch
33247	NA	RELAY, seat belt	XJ6 80-87	1	
546-100	\$74.95	RELAY, starter	XJ6 80-87	1	
131-520	\$34.95	RELAY, sunroof	XJ6 80-87	1	Black
SRB146	\$72.95	RELAY, trunk lock	XJ6 80-87	1	
C44001	\$77.95	THERMAL CUT-OUT	XJ6 80-87	1	electric window
131-520	\$34.95	RELAY, window lift	XJ6 80-87	1	Black
542-330	\$34.95	RELAY, wiper wash/wipe	XJ6 80-87	1	Red
SWITCHES					
542-370	\$5.30	SWITCH, brake light	XJ6/12 68-74	1	Push button type
30737	\$59.95	SWITCH, brake light	XJ6/12 75-77	1	Lever type
C43304	\$4.20	SWITCH, door jamb	XJ6/12 76-79	4	
33814	\$99.95	SWITCH, brake light	XJ6/12 78-79	1	
30813	NA	SWITCH, fuel changeover	XJ6/12 74-79	1	
GPS112	NA	SWITCH, anti run-on valve	XJ6 to 76.5	1	w/sealing washer
141-715	\$84.95	SWITCH, anti run-on valve	XJ6 from 76.5	1	NPT
760-190	\$5.65	SWITCH, oil press. warning light	XJ6 all	1	
34532	NA	SWITCH, handbrake	XJ6/12 68-79	1	
39967	\$90.95	SWITCH, hazard warning	XJ6/12 74-79	1	
30754	NA	SWITCH, headlight	XJ6/12 74-79	1	
39998	\$69.95	SWITCH, ignition	XJ6/12 71-79	1	-75 wiring differences
C37102	\$209.95	LOCK, ignition	XJ6/12 68-73	1	Electrical not included
DAC1419	\$204.95	LOCK, ignition	XJ6/12 74-79	1	
39980	\$26.95	SWITCH, master window	XJ6/12 74-79	1	
141-100	\$25.95	SWITCH, reverse light	XJ6/12 68-87	1	
SMB499-AM	\$11.20	SWITCH, reverse light	XJ6/12 68-87	1	Aftermarket
30886	NA	SWITCH, turnsignal	XJ6/12 74-79	1	NLS use 35361
34454	NA	SWITCH, window lift	XJ6/12 68-73 A/R	1	
33727	\$49.95	SWITCH, window lift	XJ6/12 74-79 A/R	1	
39234	NA	SWITCH, wiper	XJ6/12 68-73	1	
39968	\$184.95	SWITCH, wiper	XJ6/12 74-75	1	
30944	\$157.95	SWITCH, wiper	XJ6/12 76-79	1	
33843	NA	SWITCH, antenna	XJ6 80-81	1	
33814	\$99.95	SWITCH, brake light	XJ6 80-87	1	
DAC2165	\$10.95	SWITCH, cruise inhibitor	XJ6 80-87	1	
DAC4777	\$26.95	SWITCH, door jamb	XJ6 80-87	4	
011-015	\$7.75	SWITCH, doorlock	XJ6 80-87	1	Aftermarket
33786	NA	SWITCH, fuel changeover	XJ6 80-87	1	
33817	\$70.95	SWITCH, hazard warning	XJ6 80-87	1	
33998	NA	SWITCH, headlight	XJ6 80-87	1	
33785	\$81.95	SWITCH, heated rear window	XJ6 80-87	1	
35315	\$79.95	SWITCH, ignition	XJ6 80-87	1	
DAC4153	\$424.95	LOCK, ignition	XJ6 80-87	1	
145-755	\$91.95	SWITCH, inertia	XJ6 80-87	1	Fuel shut off
33788	\$77.95	SWITCH, interior	XJ6 80-87	1	
33787	NA	SWITCH, maplight	XJ6 80-87	1	
39980	\$26.95	SWITCH, master window	XJ6 80-87	1	
DAC7461	NA	SWITCH, mirror	XJ6 80-87	1	Chrome
DAC4175	NA	SWITCH, mirror	XJ6 80-87	1	Black
DAC4155	\$106.95	SWITCH, neutral safety	XJ6 80-87	1	
141-100	\$25.95	SWITCH, reverse light	XJ6 80-87	1	
SMB499-AM	\$11.20	SWITCH, reverse light	XJ6 80-87	1	Aftermarket
DAC1628	\$41.95	SWITCH, seat	XJ6 80-87	1	
011-015	\$7.75	SWITCH, sunroof	XJ6 80-87	1	
35360	\$289.95	SWITCH, turnsignal	XJ6 83-87	1	With cruise control
011-015	\$7.75	SWITCH, window lift	XJ6 80-87	4	
35314	\$169.95	SWITCH, wiper	XJ6 81-82	1	
33781	NA	SWITCH, wiper	XJ6 80	1	
35362	\$149.95	SWITCH, wiper	XJ6 83-87	1	
SFB114	\$15.95	FLASHER, turnsignal	XJ6 68-73	1	2 prong, 35048
141-655	\$7.95	FLASHER, hazard	XJ6 68-72	1	Aftermarket
SFB130	\$16.95	FLASHER, hazard	XJ6/12 73	1	
GFU2127	\$69.95	FLASHER, turn signals	XJ6/12 74-87	1	
RADIO ANTENNA					
DAC3542-AM	\$152.95	ANTENNA, power	XJ6 80-87	1	-85 may require bracket
011-103	\$10.50	BRACKET, power antenna	XJ6 80-85	1	Retrofit, -85 if needed
MISC. ELECTRICAL					
C34770	\$9.95	VOLTAGE STABILIZER	XJ6, XJ12	1	
AEU4090	\$124.95	BELLOWS, cruise control	XJ6 80-87	1	On actuator
AEU4090-AM	\$45.95	BELLOWS, cruise control	XJ6 80-87	1	On actuator
AEU3020	\$25.95	GEAR, sunroof motor	XJ6 80-87	1	
DAC1564	\$88.95	LIGHTER ASSEMBLY	XJ6 80-87	1	
DAC1571	\$197.95	CLOCK	XJ6 80-87	1	
071-241	\$8.95	TEMPERATURE SENDER	XJ6 68-87	1	

XJ6-XJ12 Electrical, Ignition

Part No.	Price (each)	Description	Application	Qty.	Notes Req.
SPEEDO CABLES					
C32759	NA	CABLE, speedo	XJ6 68-73	1	
C30391	\$14.25	CABLE, speedo	XJ6 76-82	1	Counter bypass
DAC4570	\$114.95	TRANSDUCER, speedo	XJ6 83-87	1	Electronic speedo
C46183	\$155.95	ANGLE DRIVE, trans end	XJ12 76-82	1	GM400 trans
461-445	\$4.50	SEAL, angle drive at gearbox	XJ6 68-82, XJ12 73-78	1	

WIPER/WASHER

75721R	NA	WIPER MOTOR, rebuilt	XJ6 68-73	1	Rebuilt
79613R	NA	WIPER MOTOR, rebuilt	XJ6 74-79, XJ12 74-78	1	
	NA	CORE CHARGE for 79613R			
60927022	NA	WIPER MOTOR	XJ6 80-87	1	New, kit w/gear
DAC3435	\$11.95	WIPER BLADE	XJ6 83.5-87	2	Black
DAC3433	NA	WIPER ARM, LH	XJ6 85-87	1	Black
DAC3434	\$70.95	WIPER ARM, RH	XJ6 85-87	1	Black
BAU1124	\$5.05	COVER, wiper arm	XJ6 80-87	2	Black
361-180	\$19.95	WASHER MOTOR	XJ6 68-86, XJ12 73-78	1	Slightly different from OE
DAC2876	NA	WASHER MOTOR	XJ6 87	1	Must also use BAU2403
JLM9644	\$3.00	CAP, reservoir	XJ6 74-85	1	-385664
JLM9645	\$9.95	CAP, reservoir	XJ6 85-87	1	385665-

IGNITION

860-051	\$2.30	SPARK PLUG, Champion	XJ6 68-87	6	
152-130	\$2.30	SPARK PLUG, Champion	XJ12 73-79	12	
151-720	\$4.95	POINTS	XJ6 68-74	1	Lucas
153-900	\$4.95	POINTS	XJ6 68-74	1	
151-730	\$4.85	CONDENSER	XJ6 68-74	1	Lucas
154-000	\$3.95	CONDENSER	XJ6 68-74	1	
152-220	\$12.25	KIT, points/condenser	XJ6 68-74	1	Lucas
152-221	\$6.95	KIT, points/condenser	XJ6 68-74	1	Aftermarket
872-790	\$5.95	ROTOR	XJ6 68-74	1	Lucas
872-795	\$3.95	ROTOR	XJ6 68-74	1	
151-855	\$3.95	ROTOR	XJ6 75-79	1	Lucas
151-850	\$3.95	ROTOR	XJ6 75-79	1	
151-860	NA	ROTOR	XJ6 80-87	1	Lucas
DRB133-AM	NA	ROTOR	XJ6 80-87	1	
DRB135	\$42.95	ROTOR	XJ12 73-79	1	Blue epoxy on rotor
DRB135-AM	NA	ROTOR	XJ12 73-79	1	Blue epoxy on rotor
DRB132	\$59.95	ROTOR	XJ12 75-79	1	Red rubber bushes
DDB115	NA	CAP, screw-in terminals	XJ6 68-73	1	Lucas
DDB115-AM	\$21.95	CAP, screw-in terminals	XJ6 68-73	1	
560-145	\$39.95	CAP, push-in terminals	XJ6 72-74	1	Lucas
560-125	\$11.95	CAP, push-in terminals	XJ6 72-74	1	
DDB113	\$15.25	CAP	XJ6 75-79	1	Lucas, clip down cap
DDB113-AM	\$8.50	CAP	XJ6 75-79	1	Clip down cap
DDB152	\$31.60	CAP	XJ6 80-87	1	Lucas, screw down cap
DDB152-AM	\$18.95	CAP	XJ6 80-87	1	Screw down cap
DDB153	\$51.95	CAP	XJ12 73-79	1	Lucas, non-vented
DDB153-AM	\$24.20	CAP	XJ12 73-79	1	Non-vented
HP7006	\$35.75	WIRE SET	XJ6 68-79	1	Push down terminals
HP7007	\$49.95	WIRE SET	XJ6 68-79	1	Screw down terminals
JLM332-AM	\$37.95	WIRE SET	XJ6 74-87	1	OEM
HP900	\$24.95	WIRE SET	XJ6 74-87	1	Lucas
GHT174	NA	WIRE SET	XJ6 74-87	1	Unipart brand
JLM726-AM	\$86.95	WIRE SET	XJ12 73-79	1	OEM
143-220	\$23.45	COIL	XJ6 68-73	1	Lucas
143-230	\$33.95	COIL	XJ6 72-85.5	1	TO VIN -412542 Internally ballasted
DLB198	\$52.95	COIL	XJ6 85.5-87	1	Use old ballast resistor
DAC3795-AM	NA	COIL	XJ6 85.5-87	1	Includes ballast resistor
DLB198	\$52.95	COIL	XJ12 73-79	1	
47222	\$79.95	BALLAST RESISTOR	XJ6 73-76	1	Carbureted
	NA	DRIVE RESISTOR	XJ6 75-81	1	
47229	\$129.95	BALLAST RESISTOR	XJ12 73-79	1	
DAB111	\$306.95	AMPLIFIER, 4 wire	XJ6 75-87	1	CEI system
DAB102	\$276.95	AMPLIFIER, 2 wire	XJ6 75-87	1	CEI system
DAB113	\$545.95	AMPLIFIER	XJ12 73-79	1	
DPB102	\$184.95	PICKUP, module	XJ6 75-79	1	W/base plate, retro CEI kit
DPB103	\$269.95	PICKUP, module	XJ6 80-87	1	W/base plate
DPB101	\$184.95	PICKUP, module	XJ12 73-79	1	For retro kit
60600721	\$200.00	DISTRIBUTOR KIT, w/dist, amp, p/up	XJ6 76	1	Replaces orig. assy.
60600723	NA	DISTRIBUTOR KIT, w/dist, amp, p/up	XJ6 77-87	1	Replaces orig. assy.
54417459	NA	LOW TENSION LEAD, w/sheild	XJ6 68-74	1	
153-640	\$8.75	LOW TENSION LEAD, w/o sheild	XJ6 72-79	1	Not for fuel inj.
54423392	\$102.95	TIMING ROTOR	XJ12 73-79	1	Lucas ignition
54401709	NA	VACUUM UNIT	XJ6 79-80	1	CEI system
54402900	NA	VACUUM UNIT	XJ6 81-87	1	CEI system

54424317	\$249.95	VACUUM UNIT	XJ12 73-75, 77	1	Check # on old unit
54429459	NA	VACUUM UNIT	XJ12 77-79	1	Check # on old unit
PMA-50	\$424.95	ELECTRONIC IGNITION KIT	XJ6 68-87, XJ12 73-79	1	Lumination brand, req. mtg. Kit
FK-116	\$34.95	MOUNTING KIT	XJ6 68-74 22D6	1	Lumination, for points
FK-109	\$42.95	MOUNTING KIT	XJ6 75-79 45DE6	1	Lumination, for OPUS
FK-121	\$265.95	MOUNTING KIT	XJ6 80-87 45DM6	1	Lumination, for CEI
FK-119	\$212.95	MOUNTING KIT	XJ12 73-79	1	Lumination brand
222-680	\$134.95	ELECTRONIC IGNITION KIT	XJ6 68-74	1	Crane brand, complete
222-325	\$134.95	ELECTRONIC IGNITION KIT	XJ6 75-87, XJ12 73-79	1	Crane brand, complete
XR700	\$129.95	REPLACEMENT POWER UNIT	Various	1	For 222-680 or 222-325
222-665	\$37.95	REPLACEMENT PICKUP	Various	1	For 222-680 or 222-325
222-395	\$99.95	ELECTRONIC IGNITION KIT	XJ6 68-74 22D6	1	Pertronix brand for points
222-505	NA	ELECTRONIC IGNITION KIT	XJ6 75-79 45DE6	1	Pertronix brand for OPUS
222-525	\$124.95	ELECTRONIC IGNITION KIT	XJ6 80-87 45DM6	1	Pertronix brand for CEI

DRIVESHAFT

GUJ108	\$18.95	U-JOINT, driveshaft	XJ6 68-87, XJ12 73-79	2	
GUJ108-AM	\$10.50	U-JOINT, driveshaft	XJ6 68-87, XJ12 73-79	2	
AAU6066	\$115.95	SUPPORT, driveshaft CENTER	XJ6 74-87, XJ12 74-79	1	
C36791	\$59.95	MOUNT, driveshaft	XJ6 68-75, XJ12 73-75	1	
CBC1448	NA	BUSH, driveshaft	XJ6 68-75, XJ12 73-75	8	

BRAKES

67032418R	\$124.95	CALIPER ASSY, front LH	XJ6 74-87, XJ12 74-79	1	Rebuilt
	\$50.00	CORE CHARGE for 67032418R			
67032419R	\$214.95	CALIPER ASSY, front RH	XJ6 74-87, XJ12 74-79	1	Rebuilt
	\$50.00	CORE CHARGE for 67032419R			
67032026R	\$174.95	CALIPER ASSY, rear LH	XJ6 74-87, XJ12 74-79	1	Rebuilt
	\$75.00	CORE CHARGE for 67032026R			
67032027R	\$175.00	CALIPER ASSY, rear RH	XJ6 74-87, XJ12 74-79	1	Rebuilt
	\$75.00	CORE CHARGE for 67032027R			
SP2511	\$108.95	CALIPER KIT, front	XJ6 68-73, XJ12 73-73	1	
SP2887	\$28.95	CALIPER KIT, front	XJ6 74-87, XJ12 74-79	1	
583-820	\$1.45	O-RING, square	XJ6 68-87, XJ12 73-79	2/4	Not in caliper kit
SP2505	\$76.95	CALIPER KIT, rear	XJ6 68-77, XJ12 73-77	1	1/16" seal groove
SP4095	\$15.50	CALIPER KIT, rear	XJ6 77-87, XJ12 77-79	1	1/8" seal groove
583-820	\$1.45	O-RING, square	XJ6 68-87, XJ12 73-79	2/4	Not in caliper kit
RTC1702	\$3.40	SPRING, anti rattle FRONT	XJ6 68-87, XJ12 73-79	4	Long spring behind pad
JLM1539	\$50.95	PIN KIT, pad retaining FRONT	XJ6 68-87, XJ12 73-79	1	Pins and clips
582-890	\$0.55	CLIP, hairpin F/R	XJ6 68-87, XJ12 73-79	1	
64068676	NA	MASTER CYLINDER, brake	XJ6 68-73	1	
74066132	\$227.95	MASTER CYLINDER, brake	XJ6 74-77, XJ12 74-77	1	Remote reservoir
74066126	\$214.95	MASTER CYLINDER, brake	XJ6/12 77-87, XJ12 77-79	1	Integral reservoir
74066126-AM	\$181.95	MASTER CYLINDER, brake	XJ6/12 77-87, XJ12 77-79	1	Aftermarket
SP2484	\$44.25	KIT, brake master cyl	XJ6 68-73	1	
SP7649	NA	KIT, brake master cyl	XJ6 74-77, XJ12 74-77	1	Remote reservoir
SP7672	\$26.75	KIT, brake master cyl	XJ6 77-87, XJ12 77-79	1	Integral reservoir
CAC4578	\$214.95	RESERVOIR, brake master	XJ6 68-77, XJ12 73-77	1	Remote reservoir
CAC3217	\$137.95	RESERVOIR, brake master	XJ6 77-87, XJ12 77-79	1	Integral reservoir
C45055	\$105.95	CAP & SWITCH, brake reservoir	XJ6 68-77, XJ12 73-77	1	
CAC3218	\$54.95	CAP & SWITCH, brake reservoir	XJ6 77.5-87, XJ12 77.5-79	1	
CAC1542	\$4.55	BOOT, cap and switch	XJ6 77.5-87, XJ12 77.5-79	1	
64049198	NA	SERVO ASSY, brake assist	XJ6 68-73	1	
74049095	\$464.95	SERVO ASSY, brake assist	XJ6 74-87, XJ12 74-79	1	Metric studs, - 77 req. nuts
SP7392	NA	KIT, servo	XJ6 68-87, XJ12 73-79	1	Girling, no diaphragm
CAC4188-AM	\$48.95	CHECK VALVE, servo	XJ6 68-73, XJ12 73-73	1	Replacement in-line
RTC1128	\$31.95	ELBOW FITTING, servo	XJ6 72-87, XJ12 72-79	1	XJS w/o ABS
582-050	\$2.95	BLEEDER SCREW, front	XJ6 68-73, XJ12 73-73	2	
596-095	\$2.75	BLEEDER SCREW, front	XJ6 74-87, XJ12 74-79	2	Metric
180-100	\$3.80	BLEEDER SCREW, rear	XJ6 68-87, XJ12 73-79	2	
64325438-AM	\$18.25	PISTON, front caliper LARGE	XJ6 68-73, XJ12 73-73	2	Repro
64325809	NA	PISTON, front caliper SMALL	XJ6 68-73, XJ12 73-73	4	
64325809-AM	\$18.25	PISTON, front caliper SMALL	XJ6 68-73, XJ12 73-73	4	Repro
32320329	NA	PISTON, front caliper	XJ6 74-87, XJ12 74-79	8	
64325436	NA	PISTON, rear caliper	XJ6 68-77, XJ12 73-77	4	
64325436-AM	\$15.95	PISTON, rear caliper	XJ6 68-77, XJ12 73-77	4	Repro
64321392	\$15.95	PISTON, rear caliper	XJ6 77-87, XJ12 77-79	4	

LOCAL & OVERSEAS: 805-681-3400

FAX: 805-692-2525

www.mossmotors.com

MOSS

Note: -AM suffix on part number indicates after-market part

JAG XJ6/XJ12

XJ6-XJ12 Brakes, Wheels, Rubber

Part No.	Price (each)	Description	Application	Qty. Req.	Notes
011-249	\$25.40	BRAKE HOSE, front	XJ6 68-73	2	
011-610	\$18.95	BRAKE HOSE, front, aftermarket	XJ6 68-73	2	
GHP101	\$25.95	BRAKE HOSE, front	XJ6 74-87, XJ12 74-79	2	
021-162	\$20.95	BRAKE HOSE, rear	XJ6 68-73	1	
021-168	\$16.95	BRAKE HOSE, rear, aftermarket	XJ6 68-73	1	
071-530	\$19.95	BRAKE HOSE, rear	XJ6 74-87, XJ12 74-79	1	
071-531	\$19.95	BRAKE HOSE, rear, aftermarket	XJ6 74-87, XJ12 74-79	1	
C41668	\$253.95	VALVE, brake proportioning	XJ6 74-82, XJ12 74-79	1	
AAU1700	\$79.95	SWITCH, proportioning valve	XJ6 68-82, XJ12 73-79	1	
D83	\$39.95	PAD SET, front	XJ6 68-73, XJ12 73-73	1	Organic
D83D	\$35.45	PAD SET, front	XJ6 68-73, XJ12 73-73	1	Deluxe
D83M	\$43.95	PAD SET, front	XJ6 68-73, XJ12 73-73	1	Metal master
D244	\$39.95	PAD SET, front	XJ6 74-87, XJ12 74-79	1	Organic
D244D	\$37.95	PAD SET, front	XJ6 74-87, XJ12 74-79	1	Deluxe
D244M	\$42.95	PAD SET, front	XJ6 74-87, XJ12 74-79	1	Metal master
GPM244G	NA	PAD SET, front	XJ6 74-87, XJ12 74-79	1	Girling OEM
D97	\$29.95	PAD SET, rear	XJ6 68-87, XJ12 73-79	1	Organic
D97D	\$30.95	PAD SET, rear	XJ6 68-87, XJ12 73-79	1	Deluxe
D97M	\$37.95	PAD SET, rear	XJ6 68-87, XJ12 73-79	1	Metal Master
JLM1540	\$20.50	PIN KIT, rear pads	XJ6 68-87, XJ12 73-79	1	Pins & clips
582-020	\$2.95	PIN, brake pad rear	XJ6 68-87, XJ12 73-79	4	
582-890	\$0.55	CLIP, hairpin	XJ6 68-87, XJ12 73-79	4	
583-805	\$4.95	STRIPS, anti-squeal	All vehicles	A/R	10 pack
D175	\$28.95	HANDBRAKE PAD, set	XJ6 68-87, XJ12 73-77	1	
8016	\$17.95	BOLT, handbrake fork	XJ6 68-87, XJ12 73-79	2	
9750	\$27.95	FORK, handbrake	XJ6 68-87, XJ12 73-79	2	
9751	\$2.30	LOCKTAB, handbrake fork	XJ6 68-87, XJ12 73-79	2	
C45012-4	\$112.95	CABLE, handbrake	XJ6 77.5-87	1	Lower
GR113	\$47.95	DISC, front	XJ6 68-73, XJ12 73-73	2	
GR114	\$89.95	DISC, front	XJ6 74-87, XJ12 74-79	2	
GR114-AM	\$73.95	DISC, front	XJ6 68-87, XJ12 73-79	2	
GR112	\$44.95	DISC, rear	XJ6 68-87, XJ12 73-79	2	Not Dana rear end

39218	NA	SWITCH, brake light	XJ6 72-74	1	
30737	\$59.95	SWITCH, brake light	XJ6/12 75-77	1	Lever style
542-370	\$5.30	SWITCH, brake light	XJ6/12 75-77	1	Push button style
33814	\$99.95	SWITCH, brake light	XJ6 79-87, XJ12 79	1	
220-455	\$4.95	BRAKE FLUID, 12 ounce	All cars	A/R	Castrol DOT 4
220-505	\$48.95	BRAKE FLUID, 1 gallon	All cars	A/R	Castrol DOT 4
220-400	\$4.50	BRAKE FLUID, 500ml	All cars	A/R	Lockheed DOT 4
C21515	\$11.45	PEDAL PAD	XJ6 68-87, XJ12 73-79	1	

ROAD WHEELS

031-819	\$5.10	LUG NUT, open ended	XJ6 68-79, XJ12 73-79	20	Chrome wheel
CBC1262	\$5.05	LUG NUT, chrome dome	XJ6 74-87, XJ12 74-79	20	Alloy wheel
CAC2763	NA	LUG NUT, open ended	XJ6 80-87	20	Steel wheel
CAC4549	\$26.95	LUG NUT, black dome	XJ6 80-87	20	Alloy wheel
C30283	NA	HUB CAP	XJ6 68-79, XJ12 73-79	4	OEM, no emblem
C30283-AM	\$51.95	HUB CAP	XJ6 68-79, XJ12 73-79	4	Aftermarket, no emblem

C27140	\$34.95	EMBLEM, hub cap	XJ6 68-79, XJ12 73-79	4	Use C22583 to mount
C22583	NA	CLIP, emblem	XJ6 68-79, XJ12 73-79	8	Use with C30283
CAC9820	\$26.95	HUB CAP	XJ6 80-87	4	OEM, no emblem
011-102	\$8.95	HUB CAP	XJ6 80-87	4	Aftermarket, no emblem
C42191	\$6.95	EMBLEM, hub cap	XJ6 80-87	4	Alloy wheel

RUBBER

BD48848	\$85.95	WINDSHIELD seal, FRONT	XJ6 68-79, XJ12 73-79	1	
BD48848-AM	\$65.95	WINDSHIELD seal, FRONT	XJ6 68-79, XJ12 73-79	1	
BD48847	\$13.95	WINDSHIELD, insert FRONT	XJ6 68-79, XJ12 73-79	1	Locking strip
BD38361	\$75.95	WINDSHIELD seal, REAR	XJ6 68-79, XJ12 73-79	1	
BD38361-AM	\$52.95	WINDSHIELD seal, REAR	XJ6 68-79, XJ12 73-79	1	
BD48847	\$13.95	WINDSHIELD, insert REAR	XJ6 68-79, XJ12 73-79	1	Locking strip
54579126	NA	TURN SIGNAL, seal FRONT LH	XJ6 68-79, XJ12 73-79	1	Lamp to body seal
54579125	NA	TURN SIGNAL, seal FRONT RH	XJ6 68-79, XJ12 73-79	1	Lamp to body seal
BD38039	\$21.95	SIDE MARKER, seal FRONT	XJ6 68-79, XJ12 73-79	2	Lamp to body seal
164-910	\$1.95	SIDE MARKER LENS, seal	XJ6 68-79, XJ12 73-79	2	Lens to lamp seal
BD38887	NA	EMBLEM, seal	XJ6 68-79, XJ12 73-79	2	
BBC4454	\$33.95	HOOD SEAL, front	XJ6 68-79, XJ12 73-79	1	
BBC4451	\$35.95	HOOD SEAL, rear	XJ6 68-79, XJ12 73-79	1	

Part No.	Price (each)	Description	Application	Qty. Req.	Notes
RTC2609	\$71.95	DOOR SEAL, front LH	XJ6 68-79, XJ12 73-79	1	
RTC2610	\$71.95	DOOR SEAL, front RH	XJ6 68-79, XJ12 73-79	1	
RTC2611	NA	DOOR SEAL, rear LH	XJ6 68-79, XJ12 73-79	1	
RTC2612	\$74.95	DOOR SEAL, rear RH	XJ6 68-79, XJ12 73-79	1	
BD46440-1	\$59.95	WINDOW SCRAPER, outer	XJ6 68-79, XJ12 73-79	4	door to glass
BD31998	\$1.10	DOOR HANDLE, seal	XJ6 68-79, XJ12 73-79	4	Small
BD31997	\$1.50	DOOR HANDLE, seal	XJ6 68-79, XJ12 73-79	4	Large
BAC4120	\$13.95	MIRROR, seal	XJ6 68-79, XJ12 73-79	2	Manual remote, rectangular head
BD38039	\$21.95	SIDE MARKER, seal REAR	XJ6 68-79, XJ12 73-79	2	Lamp to body
164-910	\$1.95	SIDE MARKER LENS, seal	XJ6 68-79, XJ12 73-79	2	Lens to lamp
54578491	NA	STOP TAIL, seal	XJ6 68-79, XJ12 73-79	1	Lamp to body
682-540	\$52.95	TRUNK LID SEAL	XJ6 68-79, XJ12 73-79	1	
BD31144	\$2.90	GAS FILLER, seal	XJ6 68-79, XJ12 73-79	2	
BAC1977	\$13.25	WINDSHIELD, seal, front inner	XJ6 80-87	1	Glass to body
BAC4794-AM	\$8.30	WINDSHIELD, seal, front outer	XJ6 80-87	1	Glass to moulding
BBC5889	\$10.95	WINDSHIELD, seal, front outer	XJ6 80-87	1	Moulding to body
BD38039	\$21.95	SIDE MARKER, seal	XJ6 80-87	2	Lamp to body
164-910	\$1.95	SIDE MARKER LENS, seal	XJ6 80-87	2	Lens to lamp
BBC4454	\$33.95	HOOD SEAL, front	XJ6 80-87	1	
BBC4451	\$35.95	HOOD SEAL, rear	XJ6 80-87	1	
RR58	\$59.95	DOOR SEAL, front LH/RH	XJ6 80-87	2	Aftermarket
RR57	\$79.95	DOOR SEAL, rear LH/RH	XJ6 80-87	2	Aftermarket
BAC4120	\$13.95	MIRROR, seal	XJ6 80-87	2	Stem to body
BD46440-1	\$59.95	WINDOW SCRAPER, outer	XJ6 80-87	4	On door
BAC1563	\$67.95	WINDOW CHANNEL, seal rear	XJ6 80-87	2	
BAC1562	NA	WINDOW CHANNEL, seal front	XJ6 80-87	2	
BAC2003	\$5.90	DOOR HANDLE, seal	XJ6 80-87	4	
BD47987	NA	SUNVISOR, clamp	XJ6 80-87	2	
BCC2421	\$154.95	SUNROOF, seal	XJ6 80-87	1	
BAC5507	NA	WINDLACE	XJ6 80-87	A/R	
BD38039	\$21.95	SIDE MARKER, seal	XJ6 80-87	2	Lamp to body
164-910	\$1.95	SIDE MARKER LENS, seal	XJ6 80-87	2	Lens to lamp
682-540	\$52.95	TRUNK LID SEAL	XJ6 80-87	1	
BAC2288-AM	\$13.25	WINDSHIELD, seal, rear inner	XJ6 80-87	1	Glass to body
BAC4794-AM	\$8.30	WINDSHIELD, seal, rear outer	XJ6 80-87	1	Glass to moulding
BBC5889	\$10.95	WINDSHIELD, seal, rear outer	XJ6 80-87	1	Moulding to body

FRONT BUMPERS

BAC1170	\$410.95	COVER, front	XJ6 80-87	1	
BAC1344	\$138.95	END, front rubber RH	XJ6 80-87	1	
BAC1345	\$138.95	END, front rubber LH	XJ6 80-87	1	
BAC1242	\$507.95	BLADE, front	XJ6 80-87	1	
BCC2065	\$183.95	PLINTH, front	XJ6 80-87	1	

REAR BUMPERS

BBC5181	NA	BLADE, rear center	XJ6 80-87	1	
BAC4380	\$313.95	BLADE, rear RH	XJ6 80-87	1	
BAC4381	\$313.95	BLADE, rear LH	XJ6 80-87	1	
BAC1151	\$356.95	COVER, rear	XJ6 80-87	1	
BAC2516	\$137.95	END, rear rubber RH	XJ6 80-87	1	
BAC2517	\$137.95	END, rear rubber LH	XJ6 80-87	1	
BAC2530	NA	FINISHER, rear RH	XJ6 80-87	1	
BAC2531	NA	FINISHER, rear LH	XJ6 80-87	1	
BAC1622	NA	BEAM, rear bumper	XJ6 80-87	1	

EMBLEMS

231-470	\$34.95	HOOD CAT, small chrome	Various Jaguars	1	5 inches long
231-475	\$79.95	HOOD CAT, small gold	Various Jaguars	1	5 inches long
011-706	\$75.95	HOOD CAT, large chrome	Various Jaguars	1	7 inches long
BD25644	\$0.85	FASTENER, emblem mounting	Various Jaguars	A/R	
BD25659	\$1.40	FASTENER, emblem mounting	Various Jaguars	A/R	
BD26989	\$1.65	FASTENER, emblem mounting	Various Jaguars	A/R	
BAC1681	NA	FASTENER, emblem mounting	Various Jaguars	A/R	
BD42436	\$26.95	EMBLEM, grille	XJ6 74-79	1	
BD44454-1	\$2.30	GASKET, grille emblem	XJ6 74-79	1	
BD42435	\$25.95	EMBLEM, grille 'V12'	XJ12 72-79	1	
BD35866	NA	EMBLEM, fender LH	XJ6 68-79, XJ12 73-79	1	Silver rectangle
BD35865	\$27.95	EMBLEM, fender RH	XJ6 68-79, XJ12 73-79	1	Silver rectangle
BD26762	\$17.25	EMBLEM, rear 'JAGUAR'	XJ6 68-79, XJ12 73-79	1	Use BD25659 fastener

MOSS

MOSS MOTORS, LTD. 1-800-667-7872
TOLL-FREE ORDERS

Part No.	Price (each)	Description	Application	Qty.	Notes
BD36076	NA	EMBLEM, rear 'X'	XJ6 68-79, XJ12 73-79	1	Use BD25659 fastener
BD36077	NA	EMBLEM, rear 'J'	XJ6 68-79, XJ12 73-79	1	Use BD25659 fastener
BD38856	NA	EMBLEM, rear '6'	XJ6 68-79	1	Use BD25659 fastener
BD46996	NA	EMBLEM, rear '4'	XJ6 74-79	1	Use BD25659 fastener
BD46995	NA	EMBLEM, rear '1'	XJ6 74-79	1	Use BD25659 fastener
BD38329	\$12.95	EMBLEM, rear '2'	XJ6 74-79	1	Use BD25659 fastener
BD38328	\$2.10	EMBLEM, rear '1'	XJ12 72-79	1	Use BD25659 fastener
BD38329	\$12.95	EMBLEM, rear '2'	XJ12 72-79	1	Use BD25659 fastener
BAC4329	NA	EMBLEM, gasket	XJ6 80-87	2	For front fender cats
BD42436	\$26.95	EMBLEM, grille	XJ6 80-87	1	
BD44454-1	\$2.30	GASKET, grille emblem	XJ6 80-87	1	
BAC2803	\$42.95	EMBLEM, fender LH	XJ6 80-87	1	Gold oval
BAC2802	\$42.95	EMBLEM, fender RH	XJ6 80-87	1	Gold oval
BEC9657	\$47.95	EMBLEM, fender LH	XJ6 80-87	1	
BEC9656	\$47.95	EMBLEM, fender RH	XJ6 80-87	1	
BBC6019	NA	EMBLEM, rear 'JAGUAR'	XJ6 80-85	1	Use BAC1681 fastener
BBC6014	\$24.95	EMBLEM, rear '4.2'	XJ6 80-85	1	Use BAC1681 fastener
BBC6016	\$18.95	EMBLEM, rear 'XJ6'	XJ6 80-85	1	Use BAC1681 fastener

FITTINGS

12179	\$129.95	HOOD PIN	XJ6 80-87	2	
12527	\$136.95	LATCH, hood LH	XJ6 80-87	1	Upper
12526	\$136.95	LATCH, hood RH	XJ6 80-87	1	Upper
BD31316	NA	SAFETY CATCH, hood	XJ6 80-87	1	
DAC2003	NA	SEAL, door handle	XJ6 80-87	4	
BD44650	\$1.55	CLIP, door linkage	XJ6 80-87	4	
BAC1486-7	NA	KEY AND TUMBLER, door lock PAIR	XJ6 80-87	1	
BAC1487	\$50.95	KEY AND TUMBLER, door lock LH	XJ6 80-87	1	
BAC1486	NA	KEY AND TUMBLER, door lock RH	XJ6 80-87	1	
DAC3529	\$218.95	SOLENOID, door lock LH	XJ6 84-87	1	Kiekirt, square
DAC3530	\$218.95	SOLENOID, door lock RH	XJ6 84-87	1	Kiekirt, square
BD44653	NA	LATCH, door OUTER LH	XJ6 80-87	2	Front and rear
BD44652	NA	LATCH, door OUTER RH	XJ6 80-87	2	Front and rear
BAC1028	\$73.95	MOULDING, windshield UPPER	XJ6 80-87	1	Chrome
BAC2151	NA	MOULDING, windshield UPPER LH	XJ6 80-87	1	Chrome
BAC2150	NA	MOULDING, windshield UPPER RH	XJ6 80-87	1	Chrome
BAC1027	\$79.30	MOULDING, windshield LOWER LH	XJ6 80-87	1	Chrome
BAC1026	\$91.95	MOULDING, windshield LOWER RH	XJ6 80-87	1	Chrome
BAC5098	NA	MOULDING, clip	XJ6 80-87	2	Chrome
BAC1488	\$1.75	CLIP, key and tumbler	XJ6 80-87	2	
BAC2454	NA	PAD DASH, vinyl	XJ6 80-87	1	
25-101	\$104.95	COVERLAY, dash repair	XJ6 80-87	1	
453-767	\$1.85	CONSOLE, striker	XJ6 80-87	1	Male
BD34715	NA	CONSOLE, catch	XJ6 80-87	1	Female
BAC1525	NA	ASHTRAY	XJ6 80-87	2	
BD47987	NA	CLAMP, sunvisor	XJ6 80-87	2	
BD39625	NA	SEAT DIAPHRAGM	XJ6 80-87	2	
BAC1694	\$89.95	MOULDING, back glass TOP	XJ6 80-87	1	Chrome
BAC1697	NA	MOULDING, back glass UPPER LH	XJ6 80-87	1	Chrome
BAC1696	NA	MOULDING, back glass UPPER RH	XJ6 80-87	1	Chrome
BAC1693	\$139.95	MOULDING, back glass LOWER LH	XJ6 80-87	1	Chrome
BAC1692	\$110.95	MOULDING, back glass LOWER RH	XJ6 80-87	1	Chrome
BAC5098	NA	MOULDING, back glass CLIP	XJ6 80-87	2	Chrome
76575	\$237.95	SOLENOID, trunk lock	XJ6 80-85	1	Lucas, round
DAC3530	\$218.95	SOLENOID, trunk lock	XJ6 86-87	1	Keikirt, square

GRILLE

BD42436	\$26.95	EMBLEM, grille	XJ6 74-79, XJ12 73-79	1	
BD44454-1	\$2.30	GASKET, grille emblem	XJ6 74-79, XJ12 73-79	1	
BD42435	\$25.95	EMBLEM, grille 'V12'	XJ6 74-79, XJ12 73-79	1	
BAC2479	\$119.95	GRILLE, valance LOWER	XJ6 74-79, XJ12 73-79	1	Below bumper
BD30582	NA	HORN, grille	XJ6 68-73, XJ12 73-73	2	
BAC1573	NA	GRILLE, assembly	XJ6 80-87	1	Without center bar/emblem

Note: -AM suffix on part number indicates after-market part

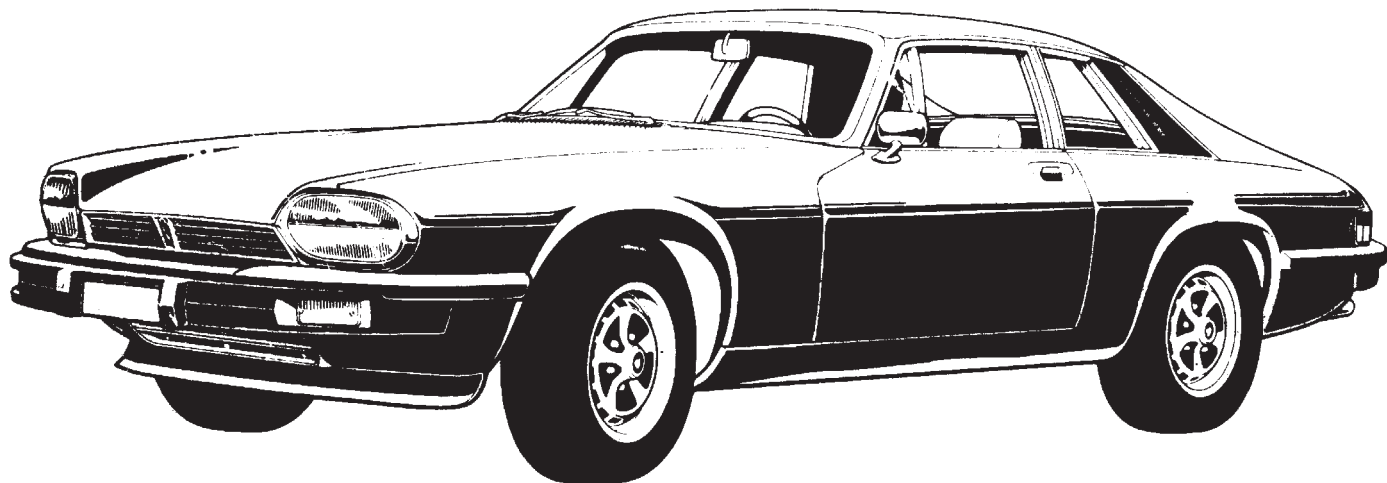
Part No.	Price (each)	Description	Application	Qty.	Notes
BAC1063	\$79.95	CENTER BAR	XJ6 80-87	1	
BD42436	\$26.95	EMBLEM, grille	XJ6 80-87	1	
BD44454-1	\$2.30	GASKET, grille emblem	XJ6 80-87	1	
BAC1020	NA	AIR INTAKE, grille	XJ6 80-87	1	
BAC2479	\$119.95	GRILLE, valance LOWER	XJ6 80-87	1	Below bumper

LAMPS

58912	\$149.25	HEADLAMP, outer	XJ6 68-79, XJ12 73-79	2	Low beam
54579185	\$64.95	TURN SIGNAL, lens LH	XJ6 68-73, XJ12 73-73	1	
164-815	\$14.95	TURN SIGNAL, lens LH	XJ6 76-79, XJ12 76-79	2	
54579184	\$64.95	TURN SIGNAL, lens RH	XJ6 68-73, XJ12 73-73	1	
164-815	\$14.95	TURN SIGNAL, lens RH	XJ6 76-79, XJ12 76-79	2	
56133	\$171.95	SIDE MARKER, lamp FRONT LH	XJ6 68-79, XJ12 73-79	1	
56132	\$171.95	SIDE MARKER, lamp FRONT RH	XJ6 68-79, XJ12 73-79	1	
164-885	\$21.95	SIDE MARKER, lens FRONT LH	XJ6 68-79, XJ12 73-79	1	
164-890	\$21.95	SIDE MARKER, lens FRONT RH	XJ6 68-79, XJ12 73-79	1	
57208	NA	SIDE MARKER, lamp REAR LH	XJ6 68-79, XJ12 73-79	1	
57207	\$145.95	SIDE MARKER, lamp REAR RH	XJ6 68-79, XJ12 73-79	1	
54579192	\$26.95	SIDE MARKER, lens LH	XJ6 68-79, XJ12 73-79	1	
54579191	NA	SIDE MARKER, lens RH	XJ6 68-79, XJ12 73-79	1	
56252	NA	STOP TAIL, lamp LH	XJ6 68-73, XJ12 73-73	1	Red/red, can retro to 79
56251	NA	STOP TAIL, lamp RH	XJ6 68-73, XJ12 73-73	1	Red/red, can retro to 79
JLM9707	\$47.95	INTERIOR, lamp	XJ6 68-79, XJ12 73-79	1	Sold as pair
JLM130	\$27.90	LENS, interior lamp	XJ6 68-79, XJ12 73-79	1	Sold as pair
DAC1140	\$30.00	TURN SIGNAL, lamp	XJ6 80-87	2	In bumper
164-815	\$14.95	TURN SIGNAL, lens	XJ6 80-87	2	
56133	\$171.95	SIDE MARKER, lamp FRONT LH	XJ6 80-87	1	
56132	\$171.95	SIDE MARKER, lamp FRONT RH	XJ6 80-87	1	
164-885	\$21.95	SIDE MARKER, lens FRONT LH	XJ6 80-87	1	
164-890	\$21.95	SIDE MARKER, lens FRONT RH	XJ6 80-87	1	
57208	NA	SIDE MARKER, lamp REAR LH	XJ6 80-87	1	
57207	\$145.95	SIDE MARKER, lamp REAR RH	XJ6 80-87	1	
54579192	\$26.95	SIDE MARKER, lens LH	XJ6 80-87	1	
54579191	NA	SIDE MARKER, lens RH	XJ6 80-87	1	
54590959	\$94.95	STOP TAIL, lens LH	XJ6 80-87	1	
54590958	\$94.95	STOP TAIL, lens RH	XJ6 80-87	1	
JLM9707	\$47.95	INTERIOR, lamp	XJ6 80-87	1	Sold as pair
JLM130	\$27.90	LENS, interior lamp	XJ6 80-87	1	Sold as pair
DAC1659	\$17.95	TRUNK, lamp	XJ6 80-87	1	

MIRRORS

BCC4090	NA	MIRROR, interior	XJ6 74-79, XJ12 74-79	1	Retrofit, must use hardware below
BCC4090	NA	MIRROR, interior	XJ6 80-87	1	
BAC4633	\$7.95	BRACKET, interior mirror	XJ6 80-87	1	Use to retro -79
BAC4988	\$6.15	SPACER, interior mirror	XJ6 80-87	1	Use to retro -79
AC610081	\$0.15	SCREW, interior mirror	XJ6 80-87	2	Use to retro -79
BBC4955	\$249.95	MIRROR, door LH	XJ6 80-87	1	Electric
BD47350	NA	MIRROR, door RH	XJ6 80-87	1	Electric
JLM551	\$47.95	GLASS, door mirror LH	XJ6 86-87	1	Convex
JLM552	\$53.95	GLASS, door mirror RH	XJ6 86-87	1	Flat
DAC4175	NA	SWITCH, mirror	XJ6 74-87, XJ12 74-79	1	Black



Part No.	Price (each)	Description	Application	Qty.	Notes
----------	--------------	-------------	-------------	------	-------

FILTERS

950-095	\$12.40	OIL FILTER, spin-on	XJS 76-94	1	Crosland
950-595	\$9.95	OIL FILTER, spin-on	XJS 76-94	1	various m'frs.
950-285	NA	AIR FILTER	XJS 76-88.5	2	Crosland
950-785	\$16.95	AIR FILTER	XJS 76-88.5	2	various m'frs.
950-100	\$24.95	FUEL FILTER, fuel injection	XJS 82-91	1	Crosland
950-600	\$21.95	FUEL FILTER, fuel injection	XJS 82-91	1	various m'frs.

GASKETS

GEG1207	\$253.95	GASKET SET, head	All V12 71-75	1	Unipart
CH832	NA	GASKET SET, head F.I.	All V12 76-80	1	Payen
GEG1248	\$326.95	GASKET SET, head	All V12 82-94	1	Unipart
DE880	\$179.95	GASKET SET, head	All V12 82-94	1	Payen
GEG285	\$139.95	GASKET SET, conversion	All V12 71-92	1	Unipart
EH831	\$59.95	GASKET SET, conversion	All V12 71-92	1	Payen
GEG3316	\$71.50	GASKET, head RH	All V12 82-94	1	Unipart
GEG3317	\$71.55	GASKET, head LH	All V12 82-94	1	Unipart
GEG456	\$6.95	GASKET, valve cover LH	All V12 71-94	1	Unipart
EBC9628	\$50.95	GASKET, valve cover LH	All V12 71-94	1	OE new design
GEG455	\$6.95	GASKET, valve cover RH	All V12 71-94	1	Unipart
EBC9627	\$50.95	GASKET, valve cover RH	XJS 76-94	1	OE new design
GEG560	\$5.15	GASKET, pan lower	XJS 76-94	1	Unipart
EBC9623	\$26.95	GASKET, pan lower	XJS 76-94	1	OE new design
EBC9637	\$49.95	GASKET, pan upper	XJS 76-94	1	OE new design
GEG686	\$2.45	GASKET, intake manifold	XJS 76-94	12	steel repl.
GEG688	\$3.70	GASKET, exhaust manifold	XJS 76-94	12	Unipart
EBC9632	\$2.15	GASKET, timing cover LH	XJS 76-94	1	
EBC9633	\$1.90	GASKET, timing cover RH	XJS 76-94	1	
EBC9625	\$1.10	GASKET, timing cover UPPER	XJS 76-94	1	
GEG754	\$2.65	GASKET, exhaust flange	XJS 76-94	4	Unipart
JLM10613	\$101.95	SEAL, front crankshaft	XJS 76-94	1	Kit w/spacer and seal
011-205	NA	SEAL, front crankshaft	XJS 76-94	1	Black
031-989	\$2.57	SEAL, rear main	XJS 76-94	2	
C30431	\$8.25	SEAL, half moon valve cover	XJS 76-94	2	
C30431-AM	\$1.95	SEAL, half moon valve cover	XJS 76-94	2	
C42511	\$2.15	SEAL, oil cap	XJS 76-94	1	
JLM9710	\$14.95	HYLOSIL, gasket sealer	All Jaguars	A/R	White
GGC102	\$18.95	HYLOMAR, gasket sealer	All Jaguars	A/R	Blue

ENGINE BLOCK

C13892	NA	CRANK SPACER, split cone	XJS 76-94	1	
C757	\$1.35	KEY, crankshaft	XJS 76-94	2	
031-895	\$3.90	ROD NUT	XJS 76-94	12	
011-761	\$12.50	DRAIN PLUG, engine	XJS 76-94	1	
011-764	\$17.95	DRAIN PLUG, magnetic	XJS 76-94	1	
011-762	\$1.60	WASHER, drain plug	XJS 76-94	1	
C32680	NA	STUD, head 2.75"	XJS 76-94	12	OE
C32332	NA	STUD, head 4.65"	XJS 76-94	4	OE
C32331	NA	STUD, head 4.75"	XJS 76-94	4	OE
C32535	\$14.95	STUD, head 7.75"	XJS 76-94	10	OE
C32534	NA	STUD, head 8.5"	XJS 76-94	10	OE
C16862-2	NA	FREEZE PLUG, small	XJS 76-94	14	6cyl block, V12 head

Part No.	Price (each)	Description	Application	Qty.	Notes
----------	--------------	-------------	-------------	------	-------

C46272	\$75.95	TRANSDUCER, oil pressure	XJS 76-92	1	100lbs, OE
C46272-AM	NA	TRANSDUCER, oil pressure	XJS 76-92	1	English repro

PISTONS RINGS LINERS

18206	\$102.95	PISTON, w/rings STD	XJS 76-80	12	AE
21434	NA	PISTON, w/rings STD	XJS 82-92	12	AE
SA1771	\$196.95	PISTON & LINER, assy	XJS 76-80	12	AE
SA2099	\$225.95	PISTON & LINER, assy	XJS 82-92	12	AE
SA2099-AM	NA	PISTON & LINER SET	XJS 82-92	1	Aftermarket
2C4441	NA	RINGS, engine set STD	XJS 76-92	1	Hastings

BEARINGS

VP91370	NA	BEARINGS, mains STD	XJS 76-92	1	Vandervell
M7325SB	\$160.95	BEARINGS, mains STD	XJS 76-92	1	AE/Glacier
VP91369	NA	BEARINGS, rod STD	XJS 76-92	1	Vandervell
VP95001	NA	THRUST, washer set	XJS 76-92	1	Vandervell
W2222SA	\$20.40	THRUST, washer set	XJS 76-92	1	AE/Glacier
C29308	\$6.45	BUSHING, small end con rod	XJS 76-92	12	

CYLINDER HEAD

V34356	\$8.60	VALVE, intake	XJS 76-80	12	AE
V90305	\$12.95	VALVE, intake	XJS 82-94	12	AE
V34357	\$11.70	VALVE, exhaust	XJS 76-80	12	AE
V90306	\$14.50	VALVE, exhaust	XJS 82-94	12	AE
VAG50923	\$3.90	GUIDE, intake/exhaust cast iron	XJS 76-94	24	AE
VAG50924	\$4.20	GUIDE, exhaust cast iron	XJS 76-80	12	
C27482	\$3.75	KEEPERS, valve	XJS 76-94	24	
EAC5032	\$1.90	SEAL, valve stem, intake	XJS 76-94	12	OE
EAC5032-AM	NA	SEAL, valve stem, intake	XJS 76-94	12	Teflon, aftermarket
031-085	\$2.65	VALVE ADJ. SHIM, .085	XJS 76-94	A/R	
031-086	\$2.65	VALVE ADJ. SHIM, .086	XJS 76-94	A/R	
031-087	\$2.65	VALVE ADJ. SHIM, .087	XJS 76-94	A/R	
031-088	\$2.65	VALVE ADJ. SHIM, .088	XJS 76-94	A/R	
031-089	\$2.65	VALVE ADJ. SHIM, .089	XJS 76-94	A/R	
031-090	\$2.65	VALVE ADJ. SHIM, .090	XJS 76-94	A/R	
031-091	\$2.65	VALVE ADJ. SHIM, .091	XJS 76-94	A/R	
031-092	\$2.65	VALVE ADJ. SHIM, .092	XJS 76-94	A/R	
031-093	\$2.65	VALVE ADJ. SHIM, .093	XJS 76-94	A/R	
031-094	\$2.65	VALVE ADJ. SHIM, .094	XJS 76-94	A/R	
031-095	\$2.65	VALVE ADJ. SHIM, .095	XJS 76-94	A/R	
031-096	\$2.65	VALVE ADJ. SHIM, .096	XJS 76-94	A/R	
031-097	\$2.65	VALVE ADJ. SHIM, .097	XJS 76-94	A/R	
031-098	\$2.65	VALVE ADJ. SHIM, .098	XJS 76-94	A/R	
031-099	\$2.65	VALVE ADJ. SHIM, .099	XJS 76-94	A/R	
031-100	\$2.65	VALVE ADJ. SHIM, .100	XJS 76-94	A/R	
031-101	\$2.65	VALVE ADJ. SHIM, .101	XJS 76-94	A/R	
031-102	\$2.65	VALVE ADJ. SHIM, .102	XJS 76-94	A/R	
031-103	\$2.65	VALVE ADJ. SHIM, .103	XJS 76-94	A/R	
031-104	\$2.65	VALVE ADJ. SHIM, .104	XJS 76-94	A/R	
031-105	\$2.65	VALVE ADJ. SHIM, .105	XJS 76-94	A/R	



MOSS MOTORS, LTD. 1-800-667-7872
TOLL-FREE ORDERS

Part No.	Price (each)	Description	Application	Qty.	Notes Req.
031-106	\$2.65	VALVE ADJ. SHIM, .106	XJS 76-94	A/R	
031-107	\$2.65	VALVE ADJ. SHIM, .107	XJS 76-94	A/R	
031-108	\$2.65	VALVE ADJ. SHIM, .108	XJS 76-94	A/R	
031-109	\$2.65	VALVE ADJ. SHIM, .109	XJS 76-94	A/R	
031-110	\$2.65	VALVE ADJ. SHIM, .110	XJS 76-94	A/R	
011-940	\$7.00	TAPPET, cam follower	XJS 76-94	24	
C30075-2	\$1.15	WASHER, cam bearing holder	XJS 76-94	24	
C37523	\$4.60	DOME NUT, cyl head	XJS 76-94	28	
C32524	\$8.85	DOME NUT, cyl head	XJS 76-94	8	
C29419	\$0.50	WASHER, dome nut	XJS 76-94	28	

TIMING CHAINS

C29590-AM	\$32.95	CHAIN, timing	XJS 76-92	1	
C30485	\$341.95	TENSIONER, timing chain	XJS 76-92	1	
C29635	\$10.95	RAIL, t/chain LH lower	XJS 76-92	1	
C29636	\$35.95	RAIL, t/chain LH upper	XJS 76-92	1	
C31068	\$47.65	RAIL, t/chain RH upper	XJS 76-92	1	
C33917	\$4.25	LOCKTAB, cam gear	XJS 76-92	2	
C37925	\$12.95	PLUG, timing cover	XJS 76-92	1	

OIL SYSTEM

C43923	\$397.95	OIL COOLER, engine	XJS 76-92.5	1	
C38074	\$339.95	HOSE, oil cooler feed	XJS 76-92.5	1	Feed line
C38075	\$377.95	HOSE, oil cooler	XJS 76-92.5	1	Return line
EAC6337	\$2.15	GASKET, filter head	XJS 76-94	1	

MOUNTS

JLM1010	\$26.95	MOUNT, engine	XJS 76-89	2	MHC7522AA
C30314	\$14.95	MOUNT, front crossmember	XJS 76-95	2	Round
C45666	\$33.30	MOUNT, front crossmember	XJS 76-95	2	V-mount
CBC2517	\$11.95	MOUNT, transmission seat	XJS 76-94	2	OE
CBC2517-AM	\$3.40	MOUNT, transmission seat	XJS 76-94	2	Aftermarket
CAC3227-AM	\$4.20	SPOOL, transmission mount	XJS 76-94	1	

AUTOMATIC TRANSMISSION

AAU6639-AM	NA	KIT, filter and gasket	XJS 76-95	1	GM400
JLM375	NA	SEAL, rear transmission	XJS 76-95	1	GM400
461-445	\$4.50	SEAL, speedo pinion	XJS 76-80	1	At speedo gear
031-784	\$25.95	LOCKTAB, flexplate	XJS 76-93	1	XJ6 retrofit for -80
CBC5224	\$199.95	CABLE, shift	XJS 76-93	1	
CBC5224-AM	\$39.95	CABLE, shift	XJS 76-93	1	
CAC4768	\$35.95	PRNDL, shift plate	XJS 82.5-87	1	W/cruise control
CAC2864	\$11.95	BRUSHES, prndl	XJS 76-93	1	
141-100	\$25.95	SWITCH, reverse light	XJS 76-90	1	Detent ball
SMB499-AM	\$11.20	SWITCH, reverse light	XJS 76-90	1	Intermotor
C33509	\$16.95	MICROSWITCH, kickdown	XJS 76-93	1	Neutral safety switch -79
DAC4570	\$114.95	TRANSDUCER, speedo	XJS 82.5-84.5	1	Electronic speedo
DAC4569	\$105.95	TRANSDUCER, speedo	XJS 84.5-88.5	1	Electronic speedo
CBC2517	\$11.95	SEAT, transmission spring	XJS 76-94	2	OE
CBC2517-AM	\$3.40	SEAT, transmission spring	XJS 76-94	2	
CAC3227-AM	\$4.20	SPOOL, transmission mount	XJS 76-94	1	Aftermarket

DIFFERENTIAL

011-222	\$43.95	BEARING, carrier	XJS 76-92	2	Not Dana
12252	\$24.95	BEARING, pinion inner	XJS 76-92	1	Not Dana
125-150	\$19.95	BEARING, pinion front	XJS 76-92	1	Not Dana
CAC4999	\$11.95	BEARING, stub axle	XJS 76-92	4	Not Dana
12456	\$15.95	CRUSH SLEEVE, pinion bearing	XJS 76-92	1	Not Dana
031-954	\$2.35	GASKET, cover	XJS 76-92	1	Not Dana
JLM527	\$12.50	OIL SEAL, pinion	XJS 76-92	1	Not Dana
RTC1340	\$0.60	O-RING, stub axle	XJS 76-92	2	Not Dana
JLM1264	\$18.95	OIL SEAL, stub axle	XJS 76-92	2	Not Dana
JLM1264-AM	\$5.95	OIL SEAL, stub axle	XJS 76-92	2	Aftermarket
RTC1348	\$12.95	CRUSH SLEEVE, stub axle	XJS 76-92	2	Not Dana
JLM337	NA	OIL SEAL, pinion	XJS 76-92	1	Dana only
JLM292	NA	O-RING, stub axle	XJS 76-92	4	Dana only
CAC3067	\$28.95	MOUNT, V-block	XJS 76-92	4	Not convertible 87-94

EXHAUST

6203981	\$67.95	PIPE, rear RH	XJS 76-77	1	Over axle
6203982	\$58.95	PIPE, rear LH	XJS 76-77	1	Over axle
5103983	\$116.95	MUFFLER, rear RH/LH	XJS 76-77	1	
6103984	\$52.95	TIP, tailpipe RH	XJS 76-77	1	

Part No.	Price (each)	Description	Application	Qty.	Notes Req.
6103985	NA	TIP, tailpipe LH	XJS 76-77	1	
GEG754	\$2.65	GASKET, downpipe	XJS 76-77	4	
GEX7441	\$5.30	OLIVE, metal	XJS 76-77	1	At front catalyst
GEX7459	\$2.95	MOUNT, rubber	XJS 76-77	2	At cross over pipe
GEX7324	\$7.45	MOUNT, bakelite bushing	XJS 76-77	2	At cross over pipe
GEX7460	NA	MOUNT, muffler rear	XJS 76-77	2	
MM1432	NA	CATALYST, front RH	XJS 77-80	1	At downpipe
MM1433	NA	CATALYST, front LH	XJS 77-80	1	At downpipe
CAC1410	NA	PIPE, intermediate RH/LH	XJS 77-80	2	Cars w/catalyst
5103955	\$119.95	MUFFLER, front RH	XJS 77-80	1	
5103956	\$130.95	MUFFLER, front LH	XJS 77-80	1	
6203981	\$67.95	PIPE, rear RH	XJS 77-80	1	Over axle
6203982	\$58.95	PIPE, rear LH	XJS 77-80	1	Over axle
5103983	\$116.95	MUFFLER, rear RH/LH	XJS 77-80	2	Both the same
6103984	\$52.95	TIP, tailpipe RH	XJS 77-80	1	
GEG754	\$2.65	GASKET, downpipe	XJS 77-80	4	
GEX7441	\$5.30	OLIVE, metal	XJS 77-80	2	At front catalyst
444-130	\$2.95	OLIVE, metal	XJS 77-80	2	At rear catalyst
GEX7459	\$2.95	MOUNT, rubber	XJS 77-80	2	At cross over pipe
GEX7324	\$7.45	MOUNT, bakelite bushing	XJS 77-80	2	At cross over pipe
GEX7460	NA	MOUNT, muffler rear	XJS 77-80	2	
CBC8212	\$822.95	CATALYST, rear RH	XJS 82-87	1	
CAC4319	\$147.95	PIPE, intermediate RH/LH	XJS 82-87	2	Both the same
5103955	\$119.95	MUFFLER, front RH	XJS 82-87	1	
5103956	\$130.95	MUFFLER, front LH	XJS 82-87	1	
6203981	\$67.95	PIPE, rear RH	XJS 82-87	1	Over axle
6203982	\$58.95	PIPE, rear LH	XJS 82-87	1	Over axle
5103983	\$116.95	MUFFLER, rear RH/LH	XJS 82-87	2	Both the same
6103984	\$52.95	TIP, tailpipe RH	XJS 82-87	1	
GEG754	\$2.65	GASKET, downpipe	XJS 82-87	4	
444-130	\$2.95	OLIVE, metal	XJ6, XJ12, XJS	2	At rear catalyst
GEX7459	\$2.95	MOUNT, rubber	XJS 82-83	2	At cross over pipe
CAC2751	\$4.15	MOUNT, rubber	XJS 83-87	2	At cross over pipe
GEX7324	\$7.45	MOUNT, bakelite bushing	XJS 82-83	2	At cross over pipe
CAC2750	\$10.25	MOUNT, bakelite bushing	XJS 83-87	2	At over axle pipe
GEX7460	NA	MOUNT, muffler rear	XJS 82-87	2	

FUEL SYSTEM

73145	NA	FILTER, fuel	XJS 76-80	1	
950-100	\$24.95	FILTER, fuel	XJS 82-91	1	Crosland
950-600	\$21.95	FILTER, fuel	XJS 82-91	1	various m'frs.
73351	NA	FUEL PUMP, in trunk F.I.	XJS 80-91	1	
73144	\$258.95	FUEL PUMP, F.I.	XJS 76-79	1	
BAC3375	\$80.00	PAD, tank insulation	XJS 76-92	1	Retro to 76
360-645	\$14.95	FLOAT, sending unit	XJS 76-92	1	
TSU101	\$2.50	KIT, seal and clamp	XJS 76-92	1	
293-410	\$0.95	SEAL, sending unit & immersed pumps	XJS 76-92	1	
360-665	\$1.75	CLAMP, sending unit & immersed pumps	XJS 76-92	1	
CAC2961	\$16.75	GAS CAP	XJS 78-92	1	Coupe only
CAC3072-1	NA	CABLE, accelerator	XJS 76-80	1	
CBC1910-1	\$187.95	CABLE, accelerator	XJS 82-89	1	
C33509	\$16.95	SWITCH, kickdown	All Jags when used	1	
C34388	\$3.20	BUSH, firewall mount	All Jags when used	1	

FUEL INJECTION

73178	NA	INJECTOR, fuel	XJS 80-84	12	
73303	\$104.95	INJECTOR, fuel	XJS 85-91	10	Short hose
73304	NA	INJECTOR, fuel	XJS 85-91	2	Long hose
54739778	\$1.95	SEAL, injector (small)	XJS XJ12 75-94	12	
54739776	\$2.35	SEAL, injector (large)	XJS XJ12 75-94	12	
73160	\$174.95	INJECTOR, cold start	XJS XJ12 75-79	2	
FDB304	\$169.95	INJECTOR, cold start	XJS 82-87	2	
73146	\$59.95	PRESSURE regulator	XJS XJ12 77-79	1	
73177	\$113.95	PRESSURE regulator	XJS 80-83	1	
73232	\$99.95	PRESSURE regulator, LH	XJS 84-91	1	Outlet
73369	NA	PRESSURE regulator, RH	XJS 84-91	1	Inlet
73142	NA	SENSOR, water temperature	XJS XJ12 75-79	1	
SNB802	\$23.45	SENSOR, water temperature	XJS 80-90	1	
SNB802-AM	\$18.25	SENSOR, water temperature	XJS 80-90	1	Aftermarket
SNB801	\$60.95	SENSOR, air temperature	XJS 82-91	1	
072-375	\$60.95	OXYGEN sensor, lambda	XJS 80-86	2	1 wire
54739496	\$12.35	VALVE, fuel pump non-return	XJS 76-94	1	
33704	\$88.95	SWITCH, thermo time	XJS 76-87	1	
33393	\$15.35	RELAY, main	XJS 80-94	1	
SRB304	\$13.95	RELAY, pump	XJS 80-94	1	
SRB304	\$13.95	RELAY, cold start	XJS 80-94	1	

Note: -AM suffix on part number indicates after-market part

XJS Fuel Injection, Cooling, A/C, Steering

Part No.	Price (each)	Description	Application	Qty. Req.	Notes
----------	--------------	-------------	-------------	-----------	-------

WATER PUMPS

WP4160	\$119.95	WATER PUMP, rebuilt	XJS 76-95	1	Double pulley
	\$50.00	CORE CHARGE for WP4160			
GWP426	\$690.95	WATER PUMP, new	XJS 76-95	1	Single pulley
WP4210	\$119.95	WATER PUMP, rebuilt	XJS 76-95	1	Single pulley
	\$75.00	CORE CHARGE for WP4210			
C29626	\$8.75	GASKET, water pump	XJS 76-95	1	Pump body to block
C36542	\$7.20	GASKET, water pump	XJS 76-95	1	Pump body to base
EAC9805	\$2.95	GASKET, water pump	XJS 76-95	1	Triangular

V BELTS & THERMOSTATS

GFB21512	NA	BELT, fan	XJS 76-79	1	
GCB10850	\$6.65	BELT, alternator	XJS 76-79	1	
GFB21512	NA	BELT, air conditioning	XJS 76-79	1	
GCB21075	\$10.45	BELT, power steering	XJS 76-79	1	
GCB20813	\$15.95	BELT, fan	XJS 82-93	1	
GCB10850	\$6.65	BELT, alternator	XJS 82-89	1	
GFB21512	NA	BELT, air conditioning	XJS 82-93	1	
GCB21075	\$10.45	BELT, power steering	XJS 82-93	1	
071-232	\$10.95	THERMOSTAT, 165F (74C)	XJS 76-94	1	Summer
071-226	\$6.75	THERMOSTAT, 180F (82C)	XJS 76-94	1	
GTS271	\$13.95	THERMOSTAT, 190F (88C)	XJS 76-92	1	
GTG129	\$2.65	GASKET, thermostat LH	XJS 76-94	1	
GTG130	\$2.10	GASKET, thermostat RH	XJS 76-94	1	

HOSES

C37990	\$15.95	GROMMET, between water rails	XJS 76-95	2	
C37990-AM	\$1.95	GROMMET, between water rails	XJS 76-95	2	
GRH588	\$14.95	HOSE, radiator, upper, RH	XJS 76-88.5	1	Right hand
GRH588-AM	\$8.35	HOSE, radiator, upper, RH	XJS 76-88.5	1	
GRH587	\$29.95	HOSE, radiator, upper, LH	XJS 76-94	1	
GRH587-AM	\$8.30	HOSE, radiator, upper, LH	XJS 76-94	1	
GRH560	\$50.95	HOSE, radiator, lower	XJS 76-94	1	W/out coolant heater
GRH560-AM	\$12.95	HOSE, radiator, lower	XJS 76-94	1	W/out coolant heater
C41374	\$5.70	HOSE, w/p to filler pipe	XJS 76-94	1	Top of water pump
EBC4402-1	\$10.55	HOSE, filler pipe	XJS 76-94	2	Pipe to bypass on head
EBC4402-1-AM	\$1.75	HOSE, filler pipe	XJS 76-94	2	Pipe to bypass on head
CAC4572-1	\$6.35	HOSE, coolant filler pipe	XJS 78-94	1	LH small hose to exp. tank
CAC5092-1	\$31.95	HOSE, coolant filler pipe	XJS 78-94	1	LH small hose to rad.
CAC5093-1	\$36.95	HOSE, coolant filler pipe	XJS 78-94	1	RH small elbow hose
CAC4605-1	\$23.95	HOSE, header tank	XJS 78-94	1	Tank to pipe
CAC4605-1-AM	\$11.95	HOSE, header tank	XJS 78-94	1	Tank to pipe
CAC4605-2	\$7.15	HOSE, header tank	XJS 78-94	1	Engine to pipe, to tank
C43999-AM	\$8.95	HOSE, heater valve to engine	XJS 76-94	1	
CAC2917	\$32.95	HOSE, heater valve to core	XJS 76-94	1	
CAC2917-AM	\$8.75	HOSE, heater valve to core	XJS 76-94	1	
C42967	\$19.95	HOSE, heater core to tube	XJS 76-94	1	
C44474	\$40.95	HOSE, heater	XJS 76-80	1	Rad. to heater pipe
CAC5125	\$32.95	HOSE, heater	XJS 82-94	1	Pipe to radiator
CAC5125-AM	\$6.67	HOSE, heater	XJS 82-94	1	Pipe to radiator
EAC2928-7	\$26.95	HOSE, header tank to bottle	XJS 78-92	4	

COOLING SYSTEM

459-695	\$6.95	CAP, radiator 15LB	XJS 76-80	1	On exp. tank
GRC179	NA	CAP, radiator 20LB	XJS 82-91	1	On filler pipe
CAC6915-AM	NA	RADIATOR, assembly	XJS 82-84.5	-115816	1 Aftermarket
MHE4190CA-AM	NA	RADIATOR, assembly	XJS 84.5-95	115817-	1 Aftermarket
C38333	\$4.15	BUSH, radiator mount	XJS 76-91	2	
CAC2321	\$3.45	PAD, radiator LH/RH	XJS 82-94	2	Foam
CAC3821	NA	PAD, radiator, upper & lower	XJS 82-94	2	Foam
CAC4337	NA	HEADER TANK	XJS 76-79	1	
CAC4566	\$125.00	HEADER TANK	XJS 82-84.5	1	
CAC8614	NA	HEADER TANK	XJS 84.5-89	-147268	1
072-088	NA	SENSOR, coolant level	XJS 84.5-91	1	
C43221	\$5.20	GROMMET, coolant level sensor	XJS 84.5-91	1	Can use 072-089
C39831	NA	FAN BLADE	XJS 76-80	1	Metal fan
EAC9935	\$111.95	FAN BLADE	XJS 82-93	1	
C45015	\$148.95	FAN CLUTCH, press on	XJS 76-79	1	
EAC4751-AM	\$79.95	FAN CLUTCH, repro	XJS 82-93	1	American made
EAC4382	\$10.95	SPACER, fan clutch	XJS 82-93	1	
C38009	\$429.95	MOTOR, cooling fan	XJS 76-92	1	Blade C37880, clip AAU2019
C37880	\$46.95	FAN BLADE, electric	XJS 76-92	1	Clip AAU2019
AAU2019	\$1.20	CLIP, electric fan blade	XJS 76-92	1	
EAC1322	NA	SWITCH, cooling fan	XJS 76-79	1	To 101854
EAC2510	\$159.95	SWITCH, cooling fan	XJS 82-94	1	
C37990	\$15.95	GROMMET, cooling fan switch	XJS 76-79	1	Various apps
C37990-AM	\$1.95	GROMMET, cooling fan switch	XJS 76-79	1	Various apps

Part No.	Price (each)	Description	Application	Qty. Req.	Notes
----------	--------------	-------------	-------------	-----------	-------

AIR CONDITIONING

KRC1152	\$0.55	O-RING, small 1/8"	XJS 77.5-92	A/R	Various A/C apps
KRC1154	NA	O-RING, medium 15/32"	XJS 78-93	A/R	Various A/C apps
KRC1156	\$1.95	O-RING, large 3/8"	XJS 77.5-92	A/R	Various A/C apps
KRC1158	\$0.95	O-RING, medium 11/16"	XJS 77.5-92	A/R	Various A/C apps
C41014	\$1.10	PAD, receiver drier mount	XJS 78-93	2	Fits around CAC1881
AEU1191-AM	\$177.95	EVAPORATOR	77.5-87	1	
CAC2341	\$162.95	HOSE, comp. to cond.	XJS 78-88	1	
CAC3696	\$58.95	HOSE, evap. to cooler	XJS 78-88	1	
CAC3696-AM	\$64.95	HOSE, evap. to cooler	XJS 78-88	1	
CAC3697	\$87.95	HOSE, cooler to comp.	XJS 78-88	1	
CAC3697-AM	\$56.95	HOSE, cooler to comp.	XJS 78-88	1	
C39413	\$6.65	KNOB, control	XJS 74-87	2	White rectangle
C41403	\$3.55	LOCK NUT, knob	XJS 74-87	2	
RTC687	NA	SWITCH, vacuum	XJS 74-87	1	On side of control panel
C45402-AM	\$309.95	AMPLIFIER, a/c	XJS 74-87	1	USA made, aftermarket
SRB303	\$115.95	RELAY, a/c	XJS 74-87	1	

HEATER

C41051-AM	\$49.95	VALVE, heater	XJS 76-92	1	
AEU1195-AM	\$189.95	CORE, heater matrix	XJS 76-87	1	Aftermarket

STEERING

AAU1503	\$119.95	SEAL KIT, steering rack	XJS 76-79	1	
JLM533-AM	\$80.95	SEAL KIT, steering rack	XJS 80-92	1	Aftermarket
AEU1248	\$3.95	TOWER SEAL, short tower	XJS 76-94	1	Comes in rack seal kit
EAC3167-AM	\$201.95	PUMP, steering w/o hub	XJS 77-94	1	Metric fittings
37H7627J	\$21.95	CAP, power steering pump	XJS 76-94	1	
CAC1635	\$9.95	MOUNT, rack	XJS 76-92	3	
CAC1635-AM	\$7.20	MOUNT, rack	XJS 76-94	3	
CAC1635K	\$25.95	MOUNT KIT, black	XJS 76-94	1	Eliminates washers
C29406	\$2.75	WASHER, rack mount	XJS 76-94	4/6	Rubberized
387-045	NA	TOOL, rack mount	XJS 76-94	1	For mount installation
SRG828	\$19.95	BOOT KIT, rack	XJS 76-92	1	Both boots w/clamps
011-018	\$11.95	BOOT KIT, rack	XJS 76-92	1	Both boots w/clamps
JLM409	\$59.95	TIE ROD, inner	XJS 82-92	2	Metric fittings
JLM469	\$185.80	TIE ROD, kit	XJS 82-92	2	Tie rod, end, boot
GSJ206-AM	\$21.20	TIE ROD END, outer	XJS 76-82	2	Standard fittings
GSJ203	\$33.95	TIE ROD END, outer	XJS 82-94	2	Metric fittings
GSJ203-AM	\$21.95	TIE ROD END, outer	XJS 82-94	2	Metric fittings
680-060	\$2.90	BOOT, tie rod end	XJS 76-94	2	Replacement
C43722	\$75.95	HOSE, low pressure	XJS 76-94	1	Rack to cooler
C43604-1	\$26.95	HOSE, low pressure	XJS 76-94	1	Pump to cooler
C45538	\$50.00	HOSE, high pressure	XJS 76-81	1	Standard fittings
C45538-AM	\$74.50	HOSE, high pressure	XJS 76-81	1	Standard fittings
CAC3655	\$114.95	HOSE, high pressure	XJS 82-94	1	Metric fittings
CAC3655-AM	NA	HOSE, high pressure	XJS 82-94	1	Metric fittings
CAC2765-3	\$386.95	STEERING COLUMN, lower	XJS 76-92	1	With shield
CAC3470	\$72.95	COUPLING, with u-joint	XJS 76-92	1	
DAC1419	\$204.95	STEERING LOCK, assy	XJS 76-79	1	With electrical
DAC4153	\$424.95	STEERING LOCK, assy	XJS 80-89	1	No shear bolts
DAC4153-AM	\$181.95	STEERING LOCK, assy	XJS 80-89	1	No shear bolts
39998	\$69.95	SWITCH, ignition	XJS 76-79	1	Can use 39415
35315	\$79.95	SWITCH, ignition	XJS 80-89	1	
DAC4154	\$4.45	SHEAR BOLT, steering lock	XJS 76-89	2	Breakaway head

EMISSION CONTROLS

C34017	\$84.95	CHECK VALVE	XJS 76-87	1	
EAC3827	\$80.95	VALVE, air switching	XJS 82-94	1	
C37990-AM	\$1.95	GROMMET, air rail	XJS 76-91	A/R	
C35779	\$3.25	O-RING, air rail	XJS 76-91	24	
C37156	\$10.95	HOSE, check valve to pipe	XJS 76-87	1	
C44359	\$6.50	HOSE, diverter valve	XJS 76-79	1	Elbow hose
EBC1488	NA	HOSE, air rail to T	XJS 76-91	2	
EAC3954-1	\$22.95	HOSE, air switching valve	XJS 82-91	1	

ALTERNATOR/REGULATOR

A2011	NA	ALTERNATOR, rebuilt	XJS -76.6	1	May need 60600700 kit
	NA	CORE CHARGE for A2011			
A2512	\$209.95	ALTERNATOR, rebuilt	XJS 82-87	1	Lucas 75amp
	\$50.00	CORE CHARGE for A2512			

STARTER

S4541	\$269.95	STARTER, rebuilt	XJS 76-94	1	Conventional, Lucas
	\$75.00	CORE CHARGE for S4541			



MOSS MOTORS, LTD. TOLL-FREE ORDERS **1-800-667-7872**

Part No.	Price (each)	Description	Application	Qty.	Notes Req.
RELAYS					
SRB303	\$115.95	RELAY, a/c	XJS 76-91	1	Hella
542-330	\$34.95	RELAY, antenna	XJS 76-91	1	Red
33388	\$107.95	DELAY, antenna	XJS 82-91	1	
DAC1910	\$49.95	RELAY, parking light bulb failure	XJS 82-91	1	Rear, red dot, in trunk
C42291	\$75.95	RELAY, light bulb failure	XJS 82-91	1	In trunk
SRB146	\$72.95	RELAY, door lock	XJS 80-87	1	
C38955	NA	RELAY, door lock cut out	XJS 80-91	1	In door
SRB146	\$72.95	RELAY, fan motor	XJS 77-79	1	
542-330	\$34.95	RELAY, fan motor	XJS 82-91	1	Red
33393	\$15.35	RELAY, main	XJS 82-94	1	Fuel injection
SRB304	\$13.95	RELAY, fuel pump	XJS 82-94	1	Bosch
C38616	\$106.95	RELAY, headlight	XJS 82-91	1	Hella
131-520	\$34.95	RELAY, horn	XJS 82-87	1	Black
131-520	\$34.95	RELAY, ignition	XJS 82-87	1	Black
546-100	\$74.95	RELAY, starter	XJS 76-91	1	Lucas
C44001	\$77.95	THERMAL CUT-OUT	XJS 76-91	1	electric window
131-520	\$34.95	RELAY, window lift	XJS 76-87	1	Black
131-520	\$34.95	RELAY, wipe/wash	XJS 80-89	1	Black, Lucas unit only

SWITCHES

30737	\$59.95	SWITCH, brake light	XJS 76-79	1	Lever type
33814	\$99.95	SWITCH, brake light	XJS 80-87	1	
35259	NA	SWITCH, cruise control	XJS 82-87	1	
C43304	\$4.20	SWITCH, door jamb	XJS 76-81	2	
DAC4777	\$26.95	SWITCH, door jamb	XJS 82-87	2	
30819	NA	SWITCH, hazard warning	XJS 76-80	1	
33955	NA	SWITCH, hazard warning	XJS 82-92	1	
30754	NA	SWITCH, headlight	XJS 76-80	1	
33998	NA	SWITCH, headlight	XJS 82-87	1	
39998	\$69.95	SWITCH, ignition	XJS 76-82	1	
DAC4151	\$184.95	LOCK, ignition	XJS 82-89-165790	1	
35315	\$79.95	SWITCH, ignition	XJS 82-89	1	
DBC2022	NA	SWITCH, inertia	XJS 82-94	1	Fuel shut off
39980	\$26.95	SWITCH, master window	XJS 76-87	1	
DAC7461	NA	SWITCH, mirror	XJS 80-87	1	Chrome
DAC4175	NA	SWITCH, mirror	XJS 80-87	1	Black
78574	NA	SWITCH, panel rheostat	XJS 76-87	1	
141-100	\$25.95	SWITCH, reverse light	XJS 76-91	1	
SMB499-AM	\$11.20	SWITCH, reverse light	XJS 76-91	1	Aftermarket
30677	\$175.95	SWITCH, turnsignal	XJS 76-81	1	NLS use 35361
35360	\$289.95	SWITCH, turnsignal	XJS 82-87	1	
33727	\$49.95	SWITCH, window lift	XJS 76-77	4	
011-015	\$7.75	SWITCH, window lift	XJS 78-87	4	Aftermarket
011-015	\$7.75	SWITCH, window lift	XJS 78-87	4	Aftermarket
30610	NA	SWITCH, wiper	XJS 76-80	1	
35314	\$169.95	SWITCH, wiper	XJS 82-87	1	

FLASHERS

GFU2127	\$69.95	FLASHER, unit	XJS 76-91	1	
---------	---------	---------------	-----------	---	--

RADIO ANTENNA

DAC3542-AM	\$152.95	ANTENNA, power	XJS 80-85.5-123281	1	-85 may need bracket
011-103	\$10.50	BRACKET for above			
386-965	\$233.95	ANTENNA, power	XJS 80-85.5-123281	1	Economy replacement
DAC6767	\$512.95	ANTENNA, power	XJS 85.5-92-123281-	1	Hirschman

MISC. ELECTRICAL

AEU4090	\$124.95	BELLOWS, cruise control	XJS 80-87	1	On actuator
AEU4090-AM	\$45.95	BELLOWS, cruise control	XJS 80-87	1	On actuator (re-use old reinforcing wire)
AEU3020	\$25.95	GEAR, sunroof motor	XJS 80-87	1	
DAC1564	\$88.95	LIGHTER ASSEMBLY	XJS 80-87	1	
DAC1571	\$197.95	CLOCK	XJS 80-87	1	

SPEEDO CABLES

DAC4570	\$114.95	TRANSDUCER, speedo	XJS 82-84.5	1	Electronic speedo
DAC4569	\$105.95	TRANSDUCER, speedo	XJS 84.5-88	1	Transmission mounted
C46183	\$155.95	ANGLE DRIVE, trans end	XJS 76-82	1	GM400 trans
461-445	\$4.50	SEAL, angle drive at gearbox	XJS76-82	1	

WIPER/WASHER

361-180	\$19.95	WASHER MOTOR	XJS 76-80	1	Slightly different from OE
BAU2043	\$2.75	GROMMET, washer motor	XJS 83-93	1	
JLM9645	\$9.95	CAP, reservoir	XJS 76-94	1	

Note: -AM suffix on part number indicates after-market part

Part No.	Price (each)	Description	Application	Qty.	Notes Req.
IGNITION					
152-130	\$2.30	SPARK PLUG, Champion	XJS 76-80	12	
RS9YC	\$2.30	SPARK PLUG, Champion	XJS 82-89	12	Lucas ignition
DRB135	\$42.95	ROTOR	XJS 76-89	1	Blue epoxy on rotor
DRB135-AM	NA	ROTOR	XJS 76-89	1	Blue epoxy on rotor
DRB132	\$59.95	ROTOR	XJS 76-80	1	Red rubber bushes
DDB153	\$51.95	CAP	XJS 76-80	1	Lucas, non-vented
DDB153-AM	\$24.20	CAP	XJS 76-80	1	Non-vented
DDB128	\$51.95	CAP	XJS 82-89	1	Lucas, w/vent
DDB128-AM	\$29.95	CAP	XJS 82-89	1	W/vent
JLM726-AM	\$86.95	WIRE SET	XJS 76-89	1	OEM
DLB198	\$52.95	COIL	XJS 76-80	1	
DLB170	\$68.95	COIL, main	XJS 82-89	1	Lucas ignition
DLB171	\$155.95	COIL, auxiliary	XJS 82-89	1	Lucas ignition
47229	\$129.95	BALLAST RESISTOR	XJS 76-79	1	
47257	NA	BALLAST RESISTOR	XJS 80-81	1	
DAB113	\$545.95	AMPLIFIER	XJS 71-77	1	
DAB109	NA	AMPLIFIER, w/rotor,p/up	XJS 78-80	1	Retro-fit kit
DAB106	\$287.95	AMPLIFIER	XJS 82-85	1	
DAB112	\$287.95	AMPLIFIER	XJS 86-89	1	Lucas ignition
DPB101	\$184.95	PICKUP, module	XJS 76-80	1	For retro kit
DPB107	\$213.95	PICKUP, module	XJS 82-89	1	W/base plate
54423392	\$102.95	TIMING ROTOR	XJS 76-89.5	1	Lucas ignition
54424317	\$249.95	VACUUM UNIT	XJS 77	1	Check # on old unit
54429459	NA	VACUUM UNIT	XJS 76-79	1	Check # on old unit
54405202	\$99.95	VACUUM UNIT	XJS 82-89	1	
PMA-50	\$424.95	ELECTRONIC IGNITION KIT	XJS 76-80	1	Lumination brand, req. mounting kit
CEA-50	\$549.95	ELECTRONIC IGNITION KIT	XJS 82-89	1	Lumination brand, req. mounting kit
FK-119	\$212.95	MOUNTING KIT	XJS 76-80	1	Lumination brand
FK-120	\$165.95	MOUNTING KIT	XJS 82-89	1	Lumination brand
222-325	\$134.95	ELECTRONIC IGNITION KIT	XJS 76-87	1	Crane brand, complete
XR700	\$129.95	REPLACEMENT POWER UNIT	Various	1	For 222-680 or 222-325
222-665	\$37.95	REPLACEMENT PICKUP	Various	1	For 222-680 or 222-325
DRIVESHAFT					
GUJ108	\$18.95	U-JOINT, driveshaft	XJS 76-94	2	
GUJ108-AM	\$10.50	U-JOINT, driveshaft	XJS 76-94	2	
BRAKES					
67032418R	\$124.95	CALIPER ASSY, front LH	XJS 76-94	1	Rebuilt
	\$50.00	CORE CHARGE for 67032418R			
67032419R	\$124.95	CALIPER ASSY, front RH	XJS 76-94	1	Rebuilt
	\$50.00	CORE CHARGE for 67032419R			
67032026R	\$174.95	CALIPER ASSY, rear LH	XJS 76-94	1	Rebuilt
	\$75.00	CORE CHARGE for 67032026R			
67032027R	\$175.00	CALIPER ASSY, rear RH	XJS 76-94	1	Rebuilt
	\$75.00	CORE CHARGE for 67032027R			
SP2887	\$28.95	CALIPER KIT, front	XJS 76-94	1	
583-820	\$1.45	O-RING, square	XJS 76-94	2/4	Not inc in caliper kit
SP4095	\$15.50	CALIPER KIT, rear	XJS 76-94	1	1/8" seal groove
583-820	\$1.45	O-RING, square	XJS 76-92	2/4	Not inc in caliper kit
RTC1702	\$3.40	SPRING, anti rattle FRONT	XJS 76-94	4	Long spring behind pad
JLM1539	\$50.95	PIN KIT, pad retaining FRONT	XJS 76-94	1	Pins and hairpin clips
582-890	\$0.55	CLIP, hairpin F/R	XJS 76-94	1	
74066132	\$227.95	MASTER CYLINDER, brake	XJS 76-88	1	Remote reservoir
SP7649	NA	KIT, brake master cyl	XJS 76	1	to 2W52787
SP7673	\$34.95	KIT, brake master cyl	XJS 77-88	1	from 2W52788
CAC4578	\$214.95	RESERVOIR, brake master cyl.	XJS 76-88	1	Remote reservoir
C45055	\$105.95	CAP & SWITCH, brake reservoir	XJS 76-88	1	
74049095	\$464.95	SERVO ASSY, brake assist	XJS 74-87	1	Metric studs, -77 req. nuts
RTC1128	\$31.95	ELBOW FITTING, servo	XJS 76-94	1	XJS w/o ABS
596-095	\$2.75	BLEEDER SCREW, front	XJS 76-94	2	Metric
180-100	\$3.80	BLEEDER SCREW, rear	XJS 76-92	2	
	NA	PISTON, front caliper	XJS 76-94	8	
64321392	\$15.95	PISTON, rear caliper	XJS 76-94	4	
GHP101	\$25.95	BRAKE HOSE, front	XJS 76-94	2	
071-530	\$19.95	BRAKE HOSE, rear	XJS 76-94	1	
071-531	\$19.95	BRAKE HOSE, rear, aftermarket	XJS 76-94	1	
A41668	\$253.95	VALVE, brake proportioning	XJS 74-87	1	
AAU1700	\$79.95	SWITCH, brake prprting valve	XJS 76-92	1	
D244	\$39.95	PAD SET, front	XJS 76-94	1	Organic
D244D	\$37.95	PAD SET, front	XJS 76-94	1	Deluxe
D244M	\$42.95	PAD SET, front	XJS 76-94	1	Metal master
D97	\$29.95	PAD SET, rear	XJS 76-94	1	Organic
D97D	\$30.95	PAD SET, rear	XJS 76-94	1	Deluxe
D97M	\$37.95	PAD SET, rear	XJS 76-94	1	Metal Master
JLM1540	\$20.50	PIN KIT, rear pads	XJS 76-92	1	Pins and clips

Note: BRAKE PARTS LISTING is continued on page 48

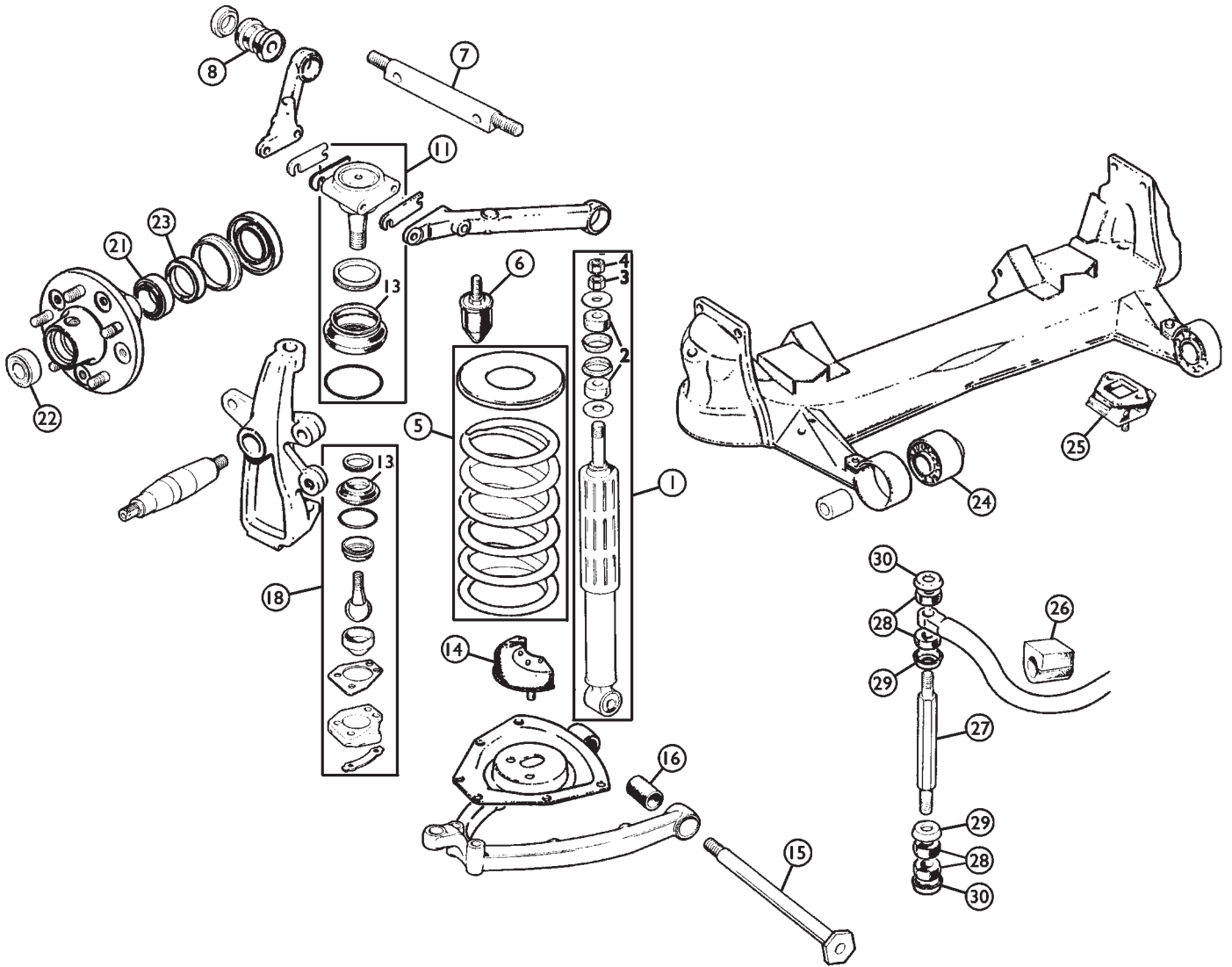
LOCAL & OVERSEAS: 805-681-3400

FAX: 805-692-2525

www.mossmotors.com

MOSS

XJS Front Suspension

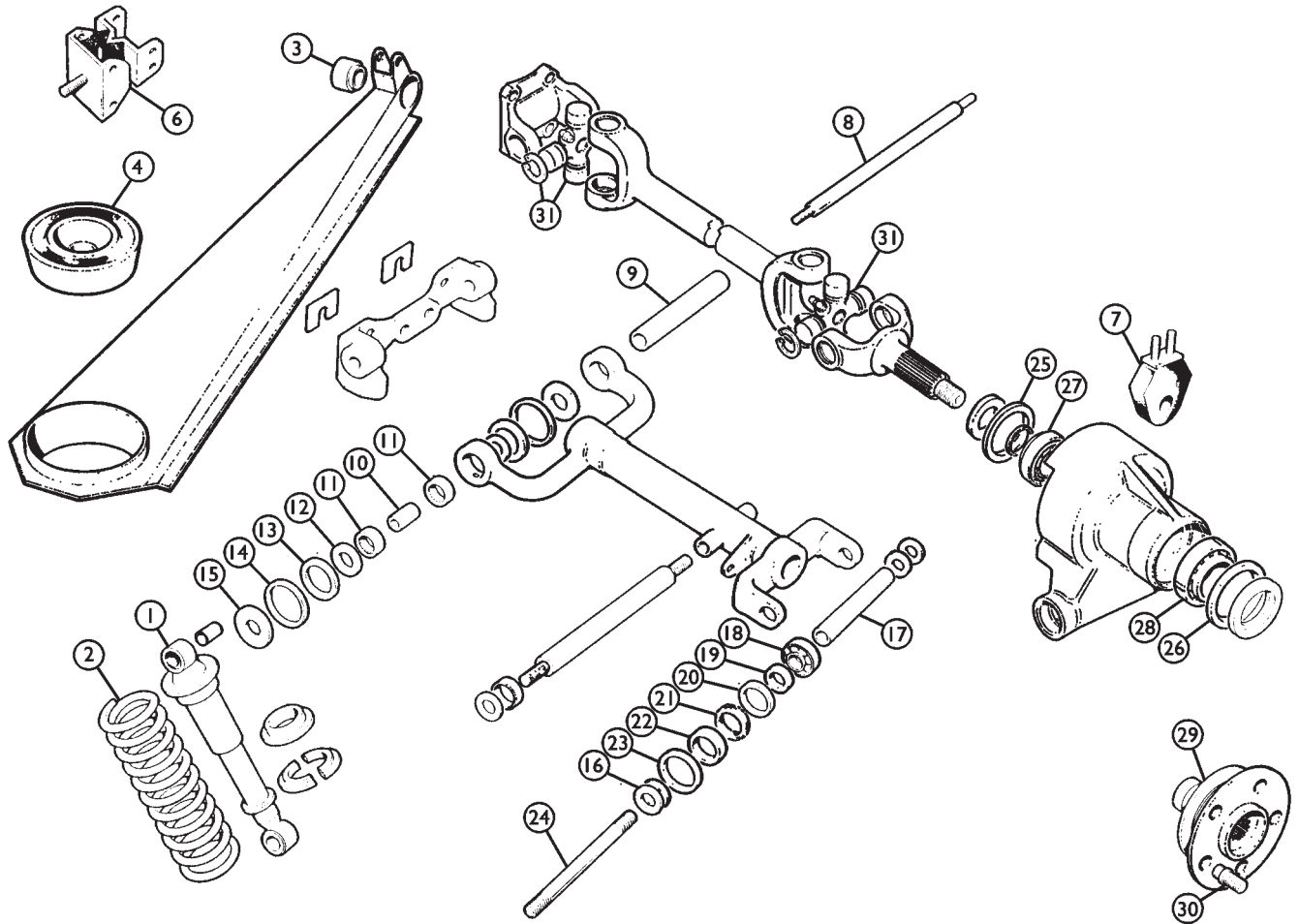


No.	Part No.	Price (each)	Description	Application	Qty. Req.
1	36-302-0	\$95.95	SHOCK, front, Boge		2
	GDA4183	\$143.95	SHOCK, front, Unipart		2
2	C30115-AM	\$3.30	BUSH, shock		4
3	310-050	\$0.50	NUT		2
4	310-070	\$0.55	NUT, jam		2
5	RTC2751	NA	COIL SPRING, front, pair		1
6	C29979	\$6.70	REBOUND BUFFER, upper		2
7	C27859	\$267.95	SHAFT, fulcrum, upper		2
8	CAC9295	\$24.95	BUSH, a-frame, upper		4
9	C29975	NA	WASHER, a-frame, upper		4
	310-690	\$0.85	NUT, nylock		4
11	GSJ145	\$74.95	BALL JOINT, upper		2
	GSJ145-AM	\$32.95	BALL JOINT, upper		2
	CAC9938	\$62.95	BALL JOINT, upper, sealed		2
	310-690	\$0.85	NUT, nylock		2
13	C43216	\$13.50	GAITER, ball joint		4
14	C43790	\$28.95	REBOUND BUFFER, lower		2
15	C30722	\$55.95	SHAFT, fulcrum, lower		2
16	C8673	\$3.30	BUSH, a-frame, lower		4
	310-710	\$1.35	NUT, slotted		2
18	GSJ129	\$89.95	BALL JOINT, lower		2
	CAC9937	\$64.95	BALL JOINT, lower, sealed		2
19	CAC1102	NA	STUB AXLE		2

No.	Part No.	Price (each)	Description	Application	Qty. Req.
20	C27779	NA	STUD, wheel		10
	GHK1089	\$59.95	KIT, wheel bearing		2
	GHK1089-AM	\$35.95	KIT, wheel bearing		2
21	676-280	\$9.95	BEARING, wheel, inner		2
22	GHB209	\$8.95	BEARING, wheel, outer		2
23	OS6327	\$13.95	SEAL, wheel		2
24	C30314	\$14.95	BUSH, crossmember		2
25	C45666	\$33.30	MOUNT, crossmember	aftermarket	2
26	C32925	\$4.95	BUSH, sway bar mounting		2
	C32925-AM	\$5.95	BUSH, sway bar mounting		2
27	C46186	\$22.50	LINK, sway bar		2
28	C10996	\$0.90	BUSH, sway bar link		8
29	C33682	\$4.55	WASHER, sway bar bushing		4
30	C11045	\$3.75	CUP, sway bar bushing		4



MOSS MOTORS, LTD. 1-800-667-7872
TOLL-FREE ORDERS



No.	Part No.	Price (each)	Description	Application	Qty. Req.	No.	Part No.	Price (each)	Description	Application	Qty. Req.
1	36-303-0	\$102.95	SHOCK, rear, Boge		4	18	525-140	\$19.95	ROLLER BEARING, wishbone, outer		4
	GDA4182	\$209.95	SHOCK, rear, Unipart		4	19	C16628	\$35.95	SEAL RETAINER, wishbone, outer		4
2	C29978	\$33.95	SPRING, rear		4	20	C20180	\$9.95	SEAL SPACER, wishbone, outer		4
3	C17146	\$8.65	MOUNT, radius arm, small		2	21	C20178	\$2.40	FELT SEAL, wishbone, outer		4
4	C23782	\$29.95	MOUNT, radius arm, large		2	22	C20179	\$26.95	SEAL SHELL, wishbone, outer		4
6	CAC3067	\$28.95	MOUNT, subframe 'V'		2	23	C20182	\$23.95	RETAINING WASHER, wishbone, outer		4
7	C40158	\$32.95	REBOUND BUFFER		2	24	CAC2316	NA	PIVOT PIN, wishbone, outer		2
8	C17008	NA	FULCRUM PIN, wishbone, inner		2		GHK1026	\$79.95	KIT, wheel bearing		2
9	C17663-1	NA	FULCRUM TUBE, wishbone, inner		2		GHK1026-AM	NA	KIT, wheel bearing		2
10	C17168-1	\$26.60	TUBE, wishbone, inner		4	25	OS7605	\$9.65	SEAL, wheel, inner		2
11	C17167	\$13.95	NEEDLE BEARING, wishbone, inner		4	26	OS8521	\$7.10	SEAL, wheel, outer		2
	328-610	\$1.10	GREASE NIPPLE		8	27	GHB139	\$25.95	BEARING, wheel, inner		2
12	C17166	\$25.95	WASHER, wishbone, inner		8	28	GHB140	\$26.95	BEARING, wheel, outer		2
13	C17213	\$3.70	SEAL, wishbone, inner		8		328-500	\$1.10	GREASE NIPPLE		2
14	C17936	\$26.95	SEAL RETAINER, wishbone, inner		8	29	CBC1784	\$432.95	WHEEL HUB		2
15	C17165	\$22.65	THRUST WASHER, wishbone, inner		8	30	C13365	\$12.95	STUD, wheel		10
16	C16626-1	\$1.75	SHIM, wishbone, outer .003		A/R	31	GUJ111	\$26.95	U-JOINT, axle shaft		4
	C16626-2	\$4.25	SHIM, wishbone, outer .007		A/R		GUJ111-AM	\$13.95	U-JOINT, axle shaft		4
17	C16623-1	NA	FULCRUM TUBE, wishbone, outer		2						

XJS Driveshaft, Brakes, Bumpers

Part No.	Price (each)	Description	Application	Qty. Notes Req.
582-020	\$2.95	PIN, brake pad rear	XJS 76-92	4
582-890	\$0.55	CLIP, hairpin	XJS 76-92	4
583-805	\$4.95	STRIPS, anti-squeal	All vehicles	A/R 10 pack
D175	\$28.95	HANDBRAKE PAD, set	XJS 76-94	1
8016	\$17.95	BOLT, handbrake fork	XJS 76-92	2
9750	\$27.95	FORK, handbrake	XJS 76-92	2
9751	\$2.30	LOCKTAB, handbrake fork	XJS 76-92	2
C41988-3	\$129.95	CABLE, handbrake	XJS 76-94	1
GR114	\$89.95	DISC, front	XJS 76-94	2
GR114-AM	\$73.95	DISC, front	XJS 76-94	2
JLM731-AM	\$39.95	DISC, rear	XJS 76-93.5	2 -188104
33814	\$99.95	SWITCH, brake light	XJS 80-88	1 -147268
220-455	\$4.95	BRAKE FLUID, 12 ounce	All cars	A/R Castrol DOT 4
220-505	\$48.95	BRAKE FLUID, gallon	All cars	A/R Castrol DOT 4
220-400	\$4.50	BRAKE FLUID, 500ml	All cars	A/R AP Lockheed DOT 4
C21515	\$11.45	PEDAL PAD	XJS 76-91	1

ROAD WHEELS

CBC1262	\$5.05	LUG NUT, chrome dome	XJS 76-87	20 Alloy wheel
CAC9820	\$26.95	HUB CAP	XJS 76-87	4 OEM, no emblem
011-102	\$8.95	HUB CAP	XJS 76-87	4 Aftermarket, no emblem
C42191	\$6.95	EMBLEM, hub cap	XJS 76-87	4 Alloy wheel

FRONT BUMPERS

BAC1170	\$410.95	COVER, front	XJS 82-93.5 -188104	1
BAC2934	\$170.95	END, front rubber RH	XJS 82-93.5 -188104	1
BAC2935	\$170.95	END, front rubber LH	XJS 82-93.5 -188104	1
BCC3435	NA	BLADE, front center	XJS 82-93.5 -188104	1
BCC3436	NA	BLADE, front RH	XJS 82-93.5 -188104	1
BCC3437	\$246.95	BLADE, front LH	XJS 82-93.5 -188104	1
BAC3504	\$173.95	PLINTH, front	XJS 82-93.5 -188104	1

REAR BUMPERS

BAC1151	\$356.95	COVER, rear	XJS 82-91 -179736	1
BAC2928	\$202.95	END, rear rubber RH	XJS 82-91 -179736	1
BAC2929	\$202.95	END, rear rubber LH	XJS 82-91 -179736	1

EMBLEMS

231-470	\$34.95	HOOD CAT, small chrome	Various Jaguars	1 5 inches long
231-475	\$79.95	HOOD CAT, small gold	Various Jaguars	1 5 inches long
011-706	\$75.95	HOOD CAT, large chrome	Various Jaguars	1 7 inches long
BD25644	\$0.85	FASTENER, emblem mounting	Various Jaguars	A/R
BD25659	\$1.40	FASTENER, emblem mounting	Various Jaguars	A/R
BD26989	\$1.65	FASTENER, emblem mounting	Various Jaguars	A/R
BAC1681	NA	FASTENER, emblem mounting	Various Jaguars	A/R
BAC3838	\$91.95	EMBLEM, hood	XJS 76-94	1 Silver
BAC3839	\$7.95	GASKET, hood emblem	XJS 76-94	1
BCC3665	\$36.95	EMBLEM, rear 'XJS'	XJS 82-91	1 Use BAC1681 fastener
BEC4717	\$53.95	EMBLEM, rear 'V12'	XJS 82-91	1 Stick on

FITTINGS

453-767	\$1.85	CONSOLE, striker	XJS 76-94	1 Male
BD34715	NA	CONSOLE, catch	XJS 76-94	1 Female
BD48027	\$32.95	HOOD STRUT	XJS 77-92.5 -184672	2
25-102	\$105.95	COVERLAY, dash repair	XJS 76-91	1

GRILLE

BAC3838	\$91.95	EMBLEM, hood, silver	XJS 76-94	1
BAC3839	\$7.95	GASKET, hood emblem	XJS 76-94	1

LAMPS

DAC2647	\$48.95	TURN SIGNAL, lamp	XJS 82-91	2 Can use DAC1140
164-815	\$14.95	TURN SIGNAL, lens	XJS 76-91	2 In bumper
164-845	\$79.95	SIDE MARKER, lamp, front, LH	XJS 76-91	1
164-855	\$79.95	SIDE MARKER, lamp, front, RH	XJS 76-91	1
164-885	\$21.95	SIDE MARKER, lens, front, LH	XJS 76-91	1
164-890	\$21.95	SIDE MARKER, lens, front, RH	XJS 76-91	1
54593143	NA	STOP TAIL, lens LH	XJS 76-91	1 Chrome infill
54593144	NA	STOP TAIL, lens RH	XJS 76-91	1 Chrome infill
54585718	NA	REVERSE, lens LH	XJS 76-80	1
54585719	NA	REVERSE, lens RH	XJS 76-80	1
AAU2043	\$41.95	LICENSE PLATE, lens	XJS 82-91	2 Bulb holder included
C45512	\$87.95	INTERIOR LAMP, roof	XJS 76-94	1
DAC1659	\$17.95	TRUNK LAMP	XJS 82-91	1

Note: -AM suffix on part number indicates after-market part

Part No.	Price (each)	Description	Application	Qty. Notes Req.
RUBBER				
BD44236	\$73.30	WINDSHIELD, seal	XJS 76-91	1 Coupe
BD48847	\$13.95	WINDSHIELD, insert	XJS 76-91	1 Locking strip
BAU1124	\$5.05	WIPER ARM, cap	XJS 76-95	1 Black
BAC3839	\$7.95	HOOD EMBLEM, seal	XJS 76-95	1
BBC4454	\$33.95	HOOD SEAL, front	XJS 76-91	1
BBC4411	NA	HOOD SEAL, rear	XJS 76-91 -178229	1
BD46718	NA	SIDE MARKER, seal LH	XJS 76-91	1 Lamp to body
BD46717	NA	SIDE MARKER, seal RH	XJS 76-91	1 Lamp to body
164-910	\$1.95	SIDE MARKER LENS, seal	XJS 76-91	2 Lens to lamp
BD46440-1	\$59.95	WINDOW SCRAPER, seal, outer	XJS 76-87	2 On door
BD44393	\$52.95	BACK GLASS, seal	XJS 76-91	1

XJS Chassis Numbers through 1987

Model Year	Model	Starting #
1976	XJS	UF2W50001BW
1977	XJS	UH2W 52727
1-'78 to 6-'78	XJS	UJ2W54673BW
7-'78 on	XJS	JNVEV48C 100001
1979	XJS	JNVEV49C 100234
1980	XJS	JNVEV4AC 104236
1982	XJS HE	SAJNV584CC 105338
1983	XJS HE	SAJNV584DC 107988
1984	XJS HE	SAJNV584EC 112232
1985	XJS HE	SAJNV584FC 117339
1986	XJS HE	SAJNV584GC 125020
1987	XJS HE	SAJNV584HC 134286

MOSS

MOSS MOTORS, LTD. 1-800-667-7872
TOLL-FREE ORDERS